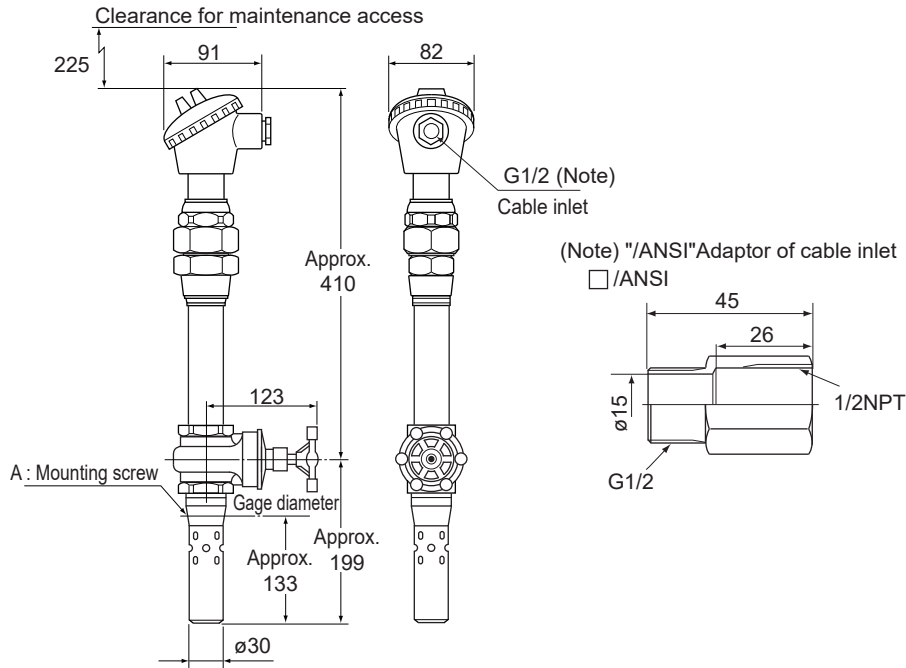


Drawings

SC210G-B-40□, SC210G-W-40□ Conductivity Detector with gate valve for Medium Range

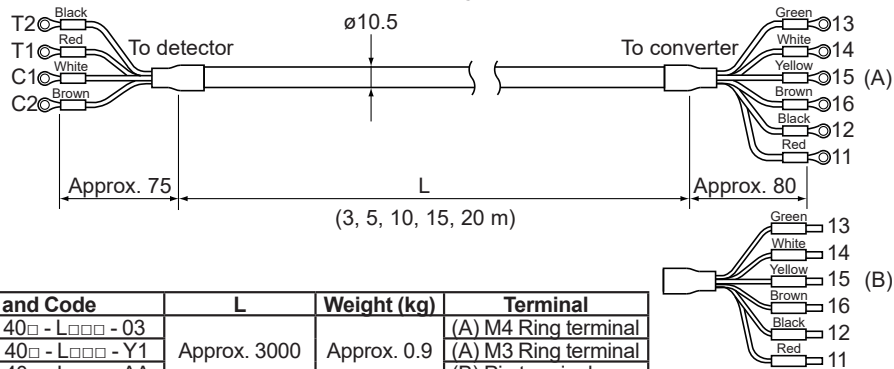
Unit: mm



Model and Code	A
SC210G - B - 402	R1-1/4
SC210G - W - 402	
SC210G - B - 403	1-1/4NPT
SC210G - W - 403	

Weight: Approx. 4.5kg

● SC210G Detector - converter connection cable (accessory)



Model and Code	L	Weight (kg)	Terminal
SC210G - □ - 40□ - L□□□ - 03	Approx. 3000	Approx. 0.9	(A) M4 Ring terminal
SC210G - B - 40□ - L□□□ - Y1			(A) M3 Ring terminal
SC210G - B - 40□ - L□□□ - AA			(B) Pin terminal
SC210G - □ - 40□ - L□□□ - 05	Approx. 5000	Approx. 1.5	(A) M4 Ring terminal
SC210G - B - 40□ - L□□□ - Y2			(A) M3 Ring terminal
SC210G - B - 40□ - L□□□ - BB			(B) Pin terminal
SC210G - □ - 40□ - L□□□ - 10	Approx. 10000	Approx. 3.0	(A) M4 Ring terminal
SC210G - B - 40□ - L□□□ - Y3			(A) M3 Ring terminal
SC210G - B - 40□ - L□□□ - CC			(B) Pin terminal
SC210G - □ - 40□ - L□□□ - 15	Approx. 15000	Approx. 4.5	(A) M4 Ring terminal
SC210G - B - 40□ - L□□□ - Y4			(A) M3 Ring terminal
SC210G - B - 40□ - L□□□ - DD			(B) Pin terminal
SC210G - □ - 40□ - L□□□ - 20	Approx. 20000	Approx. 6.0	(A) M4 Ring terminal
SC210G - B - 40□ - L□□□ - Y5			(A) M3 Ring terminal
SC210G - B - 40□ - L□□□ - EE			(B) Pin terminal

Unless otherwise specified, differences in the dimensions are specified as: General tolerance = ±(Criteria of tolerance class IT18 in JIS B0401-1998)/2.