

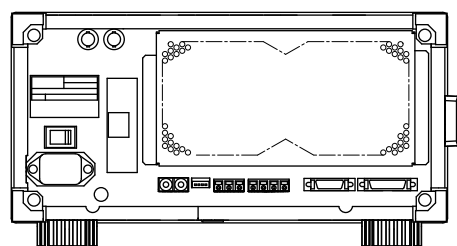
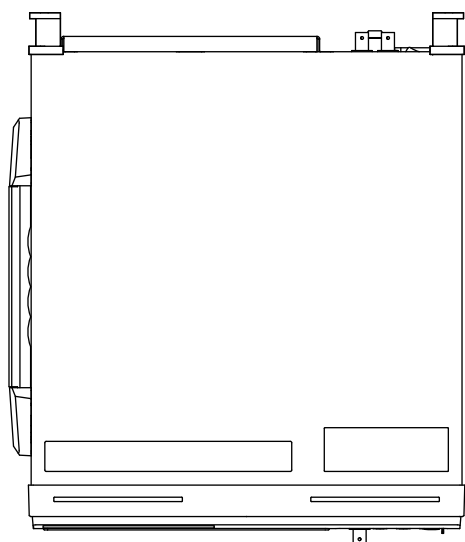
Drawings

MODEL 720120

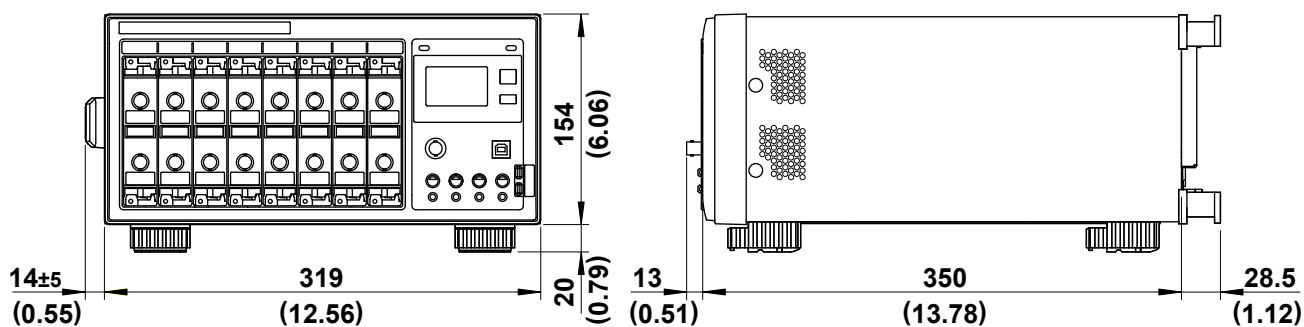
SL1000

High-Speed Data Acquisition Unit

Unit : mm
(approx. inch)



REAR VIEW



If not specified, the tolerance is $\pm 3\%$. However, in cases of less than 10 mm, the tolerance is ± 0.3 mm.