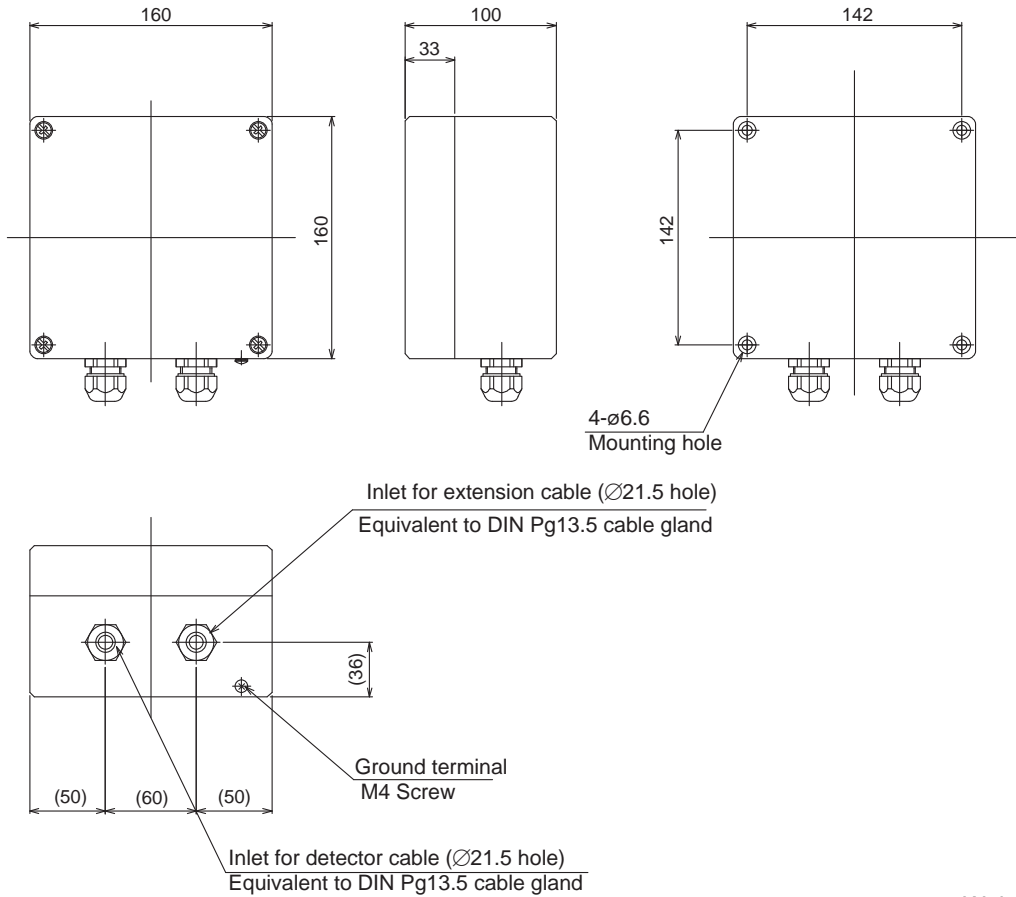
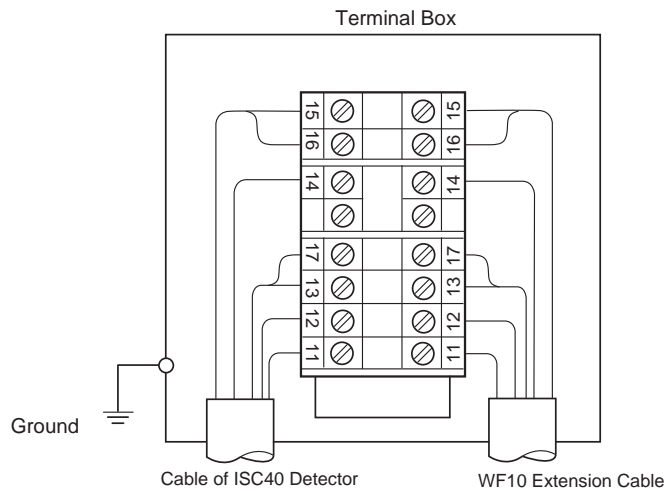


Unit : mm



Weight : Approx. 2kg

WIRING



Unless otherwise specified, difference in the dimensions are specified as : General tolerance =  $\pm$  (Criteria of tolerance class IT18 in JIS B0401-1986) / 2