

Drawings

AXF150, AXF200, AXF250, AXF300 AXF Integral Flowmeter/Remote Flowtube AXF Standard (Wafer)

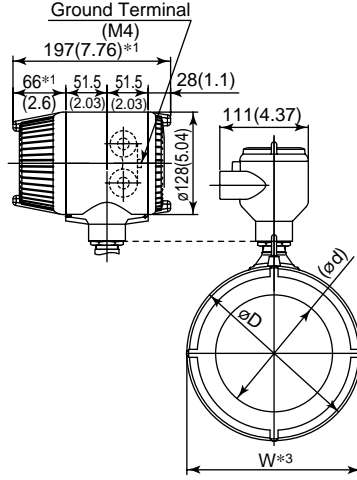
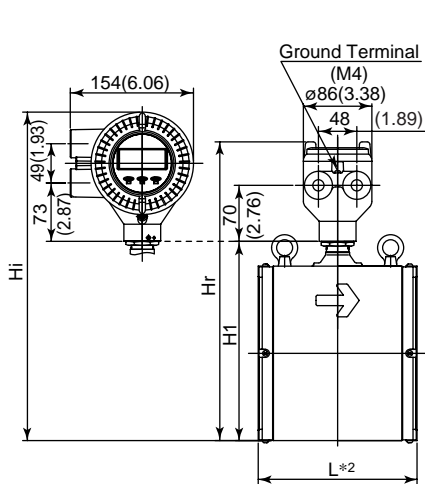


Fluorocarbon PFA/Polyurethane Rubber/Natural Soft Rubber/EPDM Rubber Lining

Integral Flowmeter Remote Flowtube

Integral Flowmeter Remote Flowtube

Unit : mm
(approx. inch)



* In case of size 250mm or 300mm, position of grounding ring is different from the figure to 45-degree.

Fig09E.EPS

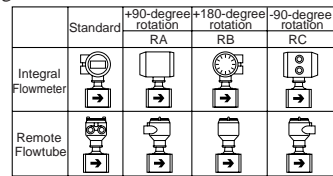
*No infra-red switches are furnished for Fieldbus communication type.

Model code:

AXF150 G D E 1 A
AXF200 W F 2 U
AXF250 C G N □ 1 □ □ □ □
AXF300 C G N P □ 2 □ □ □ □

*6: D, E, F, G; Integral Flowmeter, N, P: Remote Flowtube

* When option code RA, RB, or RC is selected, the direction of electrical connection change as below.



F19-1E.EPS

Model	Size code		150	200	250	300
	Size		150(6)	200(8)	250(10)	300(12)
	Lining code		A,U D,G	A,U D,G	A,U D,G	A,U D,G
Remote Flowtube	Face-to-face length	L*2	200(7.87)	250(9.84)	300(11.81)	350(13.78)
	Outside dia.	∅D	202(7.95)	252(9.92)	310(12.20)	358(14.09)
Integral Flowmeter	Inner diameter of Grounding ring	∅d	146.1(5.75)	193.6(7.62)	243.7(9.59)	294.7(11.60)
	Width	W*3	202(7.95)	252(9.92)	310(12.20)	358(14.09)
	Height	H1	243(9.57)	293(11.54)	354(13.94)	402(15.83)
Remote Flowtube	Max. Height	Hr	367(14.45)	417(16.42)	478(18.82)	526(20.71)
	Weight kg (lb)*4		14.5(32.0)	22.1(48.7)	39.0(86.0)	48.3(106.5)
Integral Flowmeter	Max. Height	Hi	405(15.93)	455(17.89)	516(20.31)	564(22.20)
	Weight kg (lb)		16.2(35.7)	23.8(52.4)	40.7(89.7)	50.0(110.2)

TD02-01E.EPS

Lining code : A; Fluorocarbon PFA, U; Polyurethane Rubber
D; Natural Soft Rubber, G; EPDM Rubber

*1: When indicator code N is selected, subtract 12mm(0.47inch) from the value in the figure.

In case of explosion proof type with indicator, add 5 mm (0.2 inch) to it.

*2: Depending on the selection of grounding ring code and optional code, add the following value to L(face-to-face length).

Nominal Size: 150 to 200mm			
Grounding Ring Code	S, L, H, V	P, T	N
Option Code	None	+0	+32(1.26)
	GA, GC, GD (Special Gaskets)	+10(0.39)	+38(1.5)

Nominal Size: 250 to 300mm			
Grounding Ring Code	S, L, H, V	P, T	N
Option Code is "None"	+0	-	-2(0.08)

*3: When electrode structure 2 is selected, add the following value to W(width).

Nominal Size	150	200	250	300
W	+49(1.93)	+50(1.97)	+49(1.93)	+53(2.09)

*4: When submersible type or option code DHC is selected, waterproof glands and a 30m long cable are attached.
Add 9.5kg(20.9lb) to the weight in the table.

Unless otherwise specified, difference in the dimensions are specified as : General tolerance = ± (Criteria of tolerance class IT18 in JIS B0401) / 2

Integral Flowmeter

BRAIN/HART Communication Type

Terminal configuration

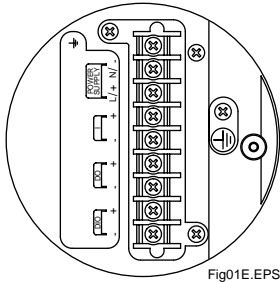


Fig01E.EPS

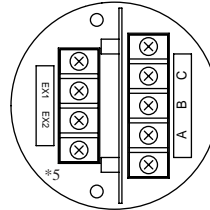
Terminal wiring

Terminal Symbols	Description
	Functional grounding
N/ L/+	Power supply
I+ I-	Current output 4 to 20mA DC
DO+ DO-	Pulse output/Alarm output/ Status output
DIO+ DIO-	Alarm output/Status output Status input
	Protective grounding (Outside of the terminal)

Fig01-2E.EPS

Remote Flowtube

Terminal configuration



*5: In case of explosion proof type, (functional grounding terminal) is added.

Fig02E.EPS

Terminal wiring

Terminal Symbols	Description
A B C	Flow signal output
EX1 EX2	Excitation current input
	Protective grounding (Outside of the terminal)

FOUNDATION Fieldbus/PROFIBUS PA Communication type

Terminal configuration

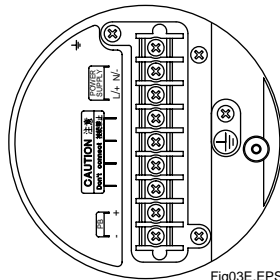


Fig03E.EPS

Terminal wiring

Terminal Symbols	Description
	Functional grounding
N/ L/+	Power supply
FB+ FB-	Fieldbus communication signal
	Protective grounding (Outside of the terminal)

Fig01-3E.EPS