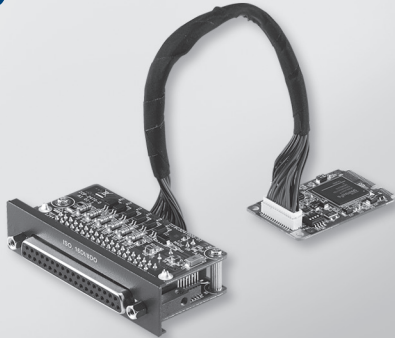


# PCM-27D24DI

## 24-Channel Isolated Digital I/O w/ counter mPCIe, DB37

NEW



iDoor RoHS COMPLIANT 2009/SEC CE FCC

### Features

- Meets Advantech Standard iDoor Technology
- PCI Express® Mini Card Specification Revision 1.2 compliant
- Supports wide-input/output voltage (10-30 V<sub>DC</sub>/5-30 V<sub>DC</sub>)
- High over-voltage-protection (70 V<sub>DC</sub>) and voltage isolation (2,500 V<sub>DC</sub>)
- Easy configuration & efficient programming by Advantech DAQNav
- I/O address automatically assigned by PCIe plug & play
- Keeps the output settings and values after system hot reset
- Supports Embedded Automation PC UNO-2200/2300/2400 series
- Supports Control DIN-Rail PC UNO-1300/1400 series
- Supports Control Cabinet PC UNO-3200/3300/3400 series
- Supports Control Panel Computers TPC-xx81/xx82 series
- Supports Thin Client Panel Computers TPC-xx51 series

### Introduction

The PCM-27 series are categorized as digital input/output modules from Advantech iDoor Technology. They are all compatible with the PCI Express® Mini Card Specification Revision 1.2, including Isolated / Non-Isolated RS-232/422/485 communication cards for automation control, Wi-Fi/3G/GPS/GSM/LTE wireless communication models for data exchange during the management and machine level of automation application, Zigbee module as an IoT terminal or controller and PoE function for smart camera in detect inspection application of production. This is a flexible design that enables customers to customize their features which meet iDoor Technology.

### Specifications

#### General

- Bus Type** PCI Express Mini Card Revision 1.2
- Certification** CE, FCC class A
- Connectors** 1 x Female DB37
- Dimensions** Module: 51 x 30 x 12.4 mm (2" x 1.18" x 0.49")  
I/O Plate: 81 x 19.4 x 41 mm (3.19" x 0.76" x 1.61")
- Power Consumption** Typical: +3.3 V @ 400 mA  
Max.: +3.3V @ 520 mA

#### Isolated Digital Input

- Input Channels** 16
- Input Voltage (Wet Contact)** Logic 0: 0-3 V<sub>DC</sub>  
Logic 1: 10-30 V<sub>DC</sub>
- Input Voltage (Dry Contact)** Logic 0: Open  
Logic 1: Shorted to GND
- Input Current** 10 V<sub>DC</sub> @ 2.97 mA  
20 V<sub>DC</sub> @ 6.35 mA  
30 V<sub>DC</sub> @ 9.73 mA
- Input Resistance** 5K Ohm
- Interrupt Capable Channels** 2 (ID10, ID18)
- Isolation Protection** 2,500 V<sub>DC</sub>
- Overvoltage Protection** 70 V<sub>DC</sub>
- ESD Protection** 4KV (Contact), 8KV (Air)
- Opto-isolator Response** 50 μs

#### Isolated Digital Output

- Output Channels** 8
- Output Type** MOSFET
- Isolation Protection** 2,500 V<sub>DC</sub>
- Output Voltage** 5 ~ 30 V<sub>DC</sub>
- Sink Current** 100 mA max./channel
- Opto-isolator** Response 50 μs

#### Counter

- Channels** 2
- Resolution** 32 bits
- Max. Input Frequency** 1 kHz

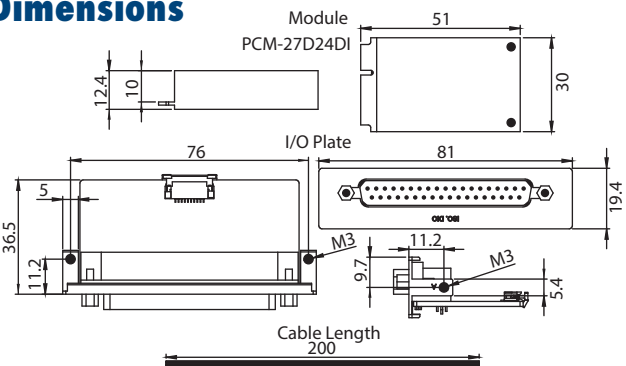
#### Software

- Tools & Drivers** Advantech DAQNav Tools & API Drivers
- OS Support** Microsoft® Windows® XP/7/8  
Linux Ubuntu 14.04, OpenSUSE 13.1, Fedora 20,  
Debian 6.08, Red Hat 6.5

#### Environment

- Humidity (Operating)** 5-95% RH, non-condensing
- Operating Temperature** -20 ~ 60°C (-4 ~ 140°F)
- Storage Temperature** -40 ~ 85°C (-40 ~ 185°F)

### Dimensions



### Ordering Information

- PCM-27D24DI-AE** Iso. Digital I/O, 16DI/8DO, mPCIe, DB37 x 1

#### Accessories

- PCL-10137-1E** DB-37 Shielded Cable, 1m
- PCL-10137-2E** DB-37 Shielded Cable, 2m
- PCL-10137-3E** DB-37 Shielded Cable, 3m
- ADAM-3937-BE** DB-37 Wiring Terminal, DIN-rail Mount