

Features

- 2-way normally closed operation
- For liquid petroleum gases (propane) in both liquified and gaseous states
- Applications such as grain dryers, incinerators, space heaters, etc
- Mountable in any position

Fluid

LP Gas (Propane)

Construction

Valve Parts in Contact with Fluids				
Series	8262	8210	8214	HV226787-1
Body	Brass	Brass	Aluminum	Brass
Seals and Disc	LT NBR	LT NBR	LT NBR	NBR
Core Tube	305 SS	305 SS	305 SS	305 SS
Core Guide	Brass			
Core and Plugnut	430F SS	430F SS	430F SS	430F SS
Springs	302 SS	17-7PH SS	17-7PH SS	302 SS
Shading Coil	Copper			
Pipe Plug	-	-	Zinc Plated Steel	-

Electrical

Standard Coil Class of Insulation	Watt Rating and Power Consumption			Spare Coil Family	
	AC			General Purpose	Explosionproof
	Watts	VA Holding	VA Inrush	AC	AC
F	10.1	25	70	238610	238614
F	17.1	40	93	238610	238614
F	15.05	28	55	-	064982

Standard Voltages: 24, 120, 240 volts AC, 60 Hz (or 110, 220 volts AC, 50 Hz).

Solenoid Enclosures

(8210, 8214, 8262)

RedHat II Molded Epoxy, Watertight, Types 1, 2, 3, 3S, 4 and 4X with 1/2" conduit hub.

(HV226787-1)

RedHat Metal, Explosion Proof, Types 3, 7C, 7D, 9E, F&G with 1/2" conduit hub.

Valve Response Time

Opening Time: Less than 1 second

Closing Time: Less than 1 second

Nominal Ambient Temp. Ranges

8262 Series: -40°F to 131°F (-40°C to 55°C)

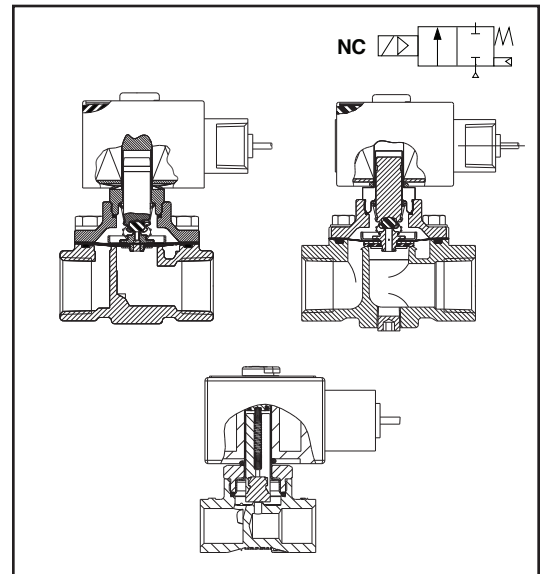
8214 Series: -40°F to 125°F (-40°C to 52°C)

8210 Series: -20°F to 125°F (-29°C to 52°C)

HV226787-1: 32°F to 125°F (0°C to 52°C)

Note: Max ambient for explosionproof (EF) is 125°F (52°C)

Optional: The max. ambient temperature is 140°F (60°C) with Class H coil (with or without prefix EF) (excludes HV226787-1)



Approvals

UL listed to standard 429 "Electrically Operated Valves," Guide YIOZ, File MP618, Safety Valves.

FM Approved to Class 7400 "Liquid and Gas Safety Shutoff Valves."

CSA Certified to:

- 1) Standard C22.2 No. 139 "Electrically Operated Valves," File 010381.
- 2) Automatic Gas Safety Shutoff Valves C/I (3.9), File 112872. (8210 & 8214)
- 3) Valves for Hazardous Locations, File 013976. (HV226787-1)

Specifications (English units)

Pipe Size (in)	Orifice Size (in)	Cv Flow	Gas Capacity		Operating Pressure Differential (psi)		Max. Fluid Temp. °F	Catalog Number			Const. Ref.	Agency			Wattage	Approx. Shipping Weight (lbs)
			Btu/hr. ①	Btu/hr. ②	Min.	Max.		Brass	Stainless Steel	Aluminum		UL	FM	CSA		
COMBUSTION (Fuel Gas) - Normally Closed																
1/4	1/8	0.35	27,250	471,900	0	250	167	8262H110B	8262H185B	-	1	○	○	○	17.1	2.3
1/4	5/32	0.60	46,665	809,000	0	150	167	8262H112B	8262H187B	-	1	○	○	○	17.1	2.3
1/4	5/32	0.60	46,665	809,000	0	100	167	8262H202B	8262H220B	-	1	○	○	○	10.1	2.3
1/4	7/32	0.87	67,665	1,100,000	0	75	167	8262H114B	8262H188B	-	1	○	○	○	17.1	2.3
1/4	7/32	0.87	67,665	1,170,000	0	55	167	8262H208B	8262H226B	-	1	○	○	○	10.1	2.3
1/4	9/32	1	77,775	1,100,000	0	60	167	8262H212B	8262H230B	-	1	○	○	○	17.1	2.3
1/4	9/32	1	77,775	1,345,000	0	45	167	8262H210B	8262H189B	-	1	○	○	○	10.1	2.3
3/8	5/8	2.8	218,000	6,218,000	5	250	125	8210H105B	-	-	2	○	○	○	17.1	3.2
3/8	3/4	3.4	265,000	4,045,000	0	50	125	-	-	8214G010B	3	○	○	○	17.1	2.0
1/2	5/8	3.6	281,000	7,994,000	5	250	125	8210H106B	-	-	2	○	○	○	17.1	3.2
1/2	3/4	4.4	343,000	5,235,000	0	50	125	-	-	8214G020B	3	○	○	○	17.1	2.0
3/4	3/4	5.1	400,000	6,068,000	0	50	125	-	-	8214G030B	4	○	○	○	17.1	2.0
3/4	3/4	6.5	508,000	14,434,000	5	350	125	HV226787-1	-	-	5	○	-	○	15.05	3.5

○ = Safety Shutoff Valve. ① 1" W.C. Drop @ 2" W.C. Inlet Pressure, 2,300 Btu/cu.ft. or more, 1.6 Specific Gravity Gas.
 ② Per CSA 6.5 @ 25% inlet pressure/10% pressure drop; for valves above 60 psi. max. inlet, 25%/10% calculation is based on 60 psi. inlet.

Specifications (Metric units)

Pipe Size (in)	Orifice Size (mm)	Kv Flow (m³/hr)	Gas Capacity		Operating Pressure Differential (bar)		Max. Fluid Temp. °C	Catalog Number			Const. Ref.	Agency			Wattage	Approx. Shipping Weight (kgs)
			Btu/hr. ①	Btu/hr. ②	Min.	Max.		Brass	Stainless Steel	Aluminum		UL	FM	CSA		
COMBUSTION (Fuel Gas) - Normally Closed																
1/4	3.2	0.30	27,250	471,900	0	17	75	8262H110B	8262H185B	-	1	○	○	○	17.1	1.0
1/4	4.0	0.52	46,665	809,000	0	10	75	8262H112B	8262H187B	-	1	○	○	○	17.1	1.0
1/4	4.0	0.52	46,665	809,000	0	7	75	8262H202B	8262H220B	-	1	○	○	○	10.1	1.0
1/4	5.6	0.75	67,665	1,100,000	0	5.2	75	8262H114B	8262H188B	-	1	○	○	○	17.1	1.0
1/4	5.6	0.75	67,665	1,170,000	0	3.8	75	8262H208B	8262H226B	-	1	○	○	○	10.1	1.0
1/4	7.1	0.86	77,775	1,100,000	0	4.1	75	8262H212B	8262H230B	-	1	○	○	○	17.1	1.0
1/4	7.1	0.76	77,775	1,345,000	0	3.1	75	8262H210B	8262H189B	-	1	○	○	○	10.1	1.0
3/8	16	2.4	218,000	6,218,000	5	17	52	8210H105B	-	-	2	○	○	○	17.1	1.5
3/8	19	2.9	265,000	4,045,000	0	3.4	52	-	-	8214G010B	3	○	○	○	17.1	0.9
1/2	16	3.1	281,000	7,994,000	5	17	52	8210H106B	-	-	2	○	○	○	17.1	1.5
1/2	19	3.7	343,000	5,235,000	0	3.4	52	-	-	8214G020B	3	○	○	○	17.1	0.9
3/4	19	4.3	400,000	6,068,000	0	3.4	52	-	-	8214G030B	4	○	○	○	17.1	0.9
3/4	19	5.5	508,000	14,434,000	5	24	52	HV226787-1	-	-	5	○	-	○	15.05	1.6

○ = Safety Shutoff Valve. ① 1" W.C. Drop @ 2" W.C. Inlet Pressure, 2,300 Btu/cu.ft. or more, 1.6 Specific Gravity Gas.
 ② Per CSA 6.5 @ 25% inlet pressure/10% pressure drop; for valves above 4 bar max. inlet, 25%/10% calculation is based on 4 bar inlet.

Capabilities Chart

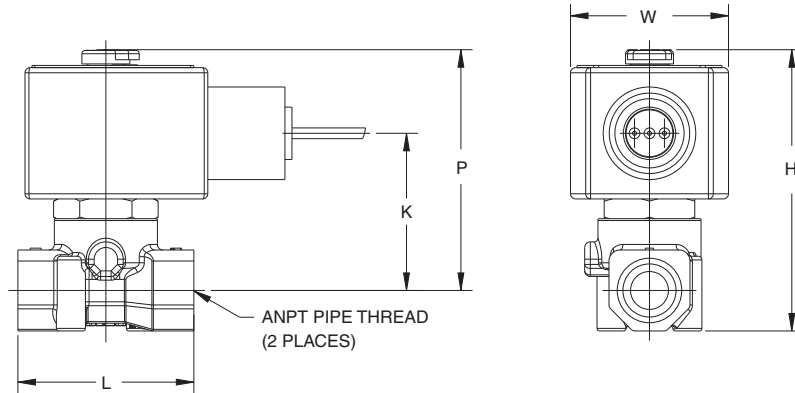
Solenoid Options					Base Catalog Number			Resilient Materials		Standard Rebuild Kit
NEMA Type 3-9	72" Leads	High Temp.	Wiring Box Screw Terminal	Spade	Brass	Stainless Steel	Aluminum	LT NBR	NBR	AC
EF	L	HB	JKP	JSP	8262H110B	8262H185B	-	●	-	323624
EF	L	HB	JKP	JSP	8262H112B	8262H187B	-	●	-	323624
EF	L	HT	JKF	JSF	8262H202B	8262H220B	-	●	-	323624
EF	L	HB	JKP	JSP	8262H114B	8262H188B	-	●	-	323624
EF	L	HT	JKF	JSF	8262H208B	8262H226B	-	●	-	323624
EF	L	HB	JKP	JSP	8262H212B	8262H230B	-	●	-	323624
EF	L	HT	JKF	JSF	8262H210B	8262H189B	-	●	-	323624
EF	L	HB	JKP	-	8210H105B	-	-	●	-	316669
-	L	HB	JKP	-	-	-	8214G010B	●	-	316667
EF	L	HB	JKP	-	8210H106B	-	-	●	-	316669
-	L	HB	JKP	-	-	-	8214G020B	●	-	316667
-	L	HB	JKP	-	-	-	8214G030B	●	-	316667
-	L	-	-	-	HV226787-1	-	-	-	●	310038

● = Standard. Other options may be available. All option combinations may not be available.

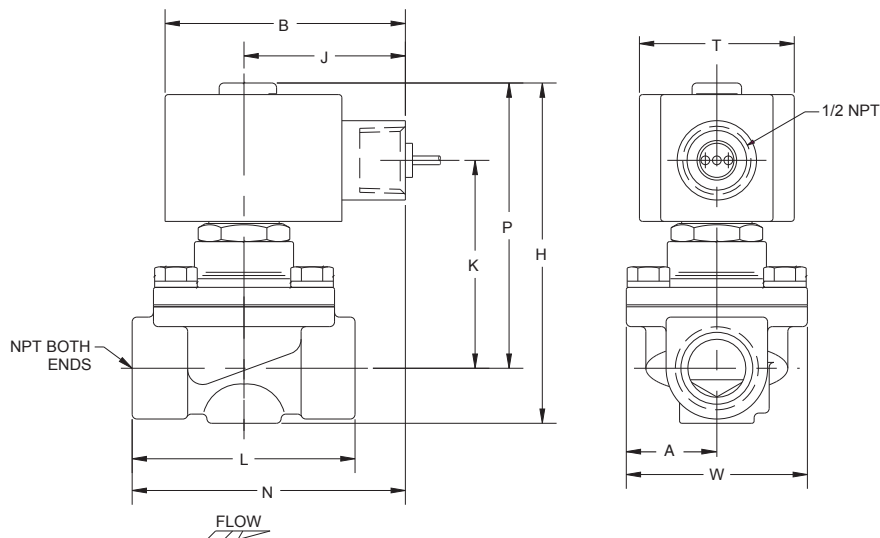
Dimensions inches (mm)

Const. Ref.		A	B	E	H	J	K	L	N	P	R	T	W
1	in	-	-	-	3.11	-	1.77	1.56	-	2.75	-	-	1.95
	mm	-	-	-	79	-	45	40	-	70	-	-	50
2	in	1.66	3.03	-	3.95	2.04	2.42	2.75	3.42	3.39	-	1.95	2.28
	mm	42	77	-	100	52	61	70	87	86	-	50	58
3	in	1.14	3.03	1.36	4.08	2.04	2.47	2.75	3.42	3.46	1.36	1.95	2.50
	mm	29	77	35	104	52	63	70	87	88	35	50	64
4	in	1.14	3.03	1.25	4.52	2.04	2.66	3.31	3.70	3.64	1.66	1.95	2.39
	mm	29	77	32	115	52	68	84	94	92	42	50	61
5	in	-	3.25	-	4.63	2.76	2.44	3.78	4.38	4.00	1.62	2.50	2.75
	mm	-	83	-	118	70	62	96	111	102	41	64	70

Const. Ref. 1

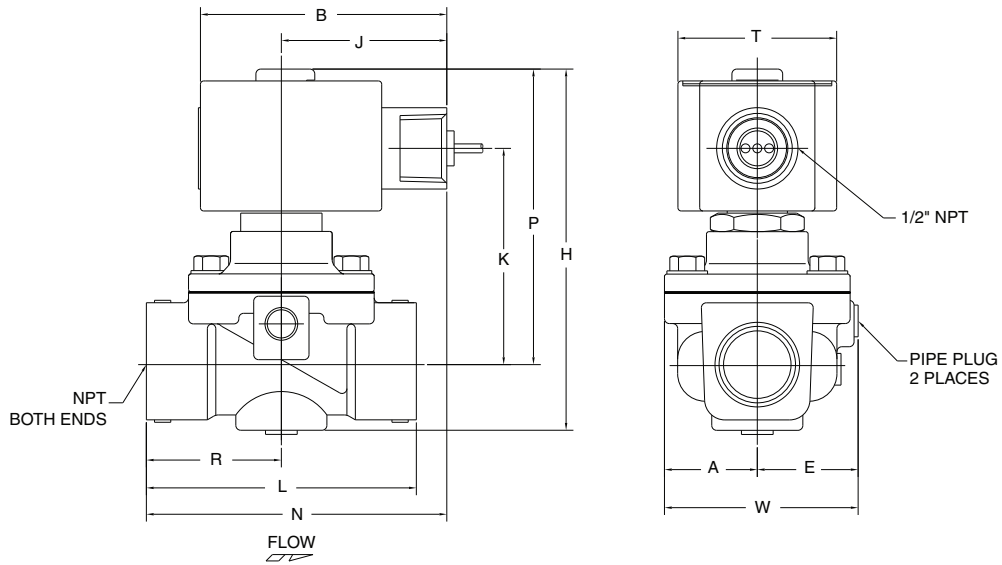


Const. Ref. 2



Dimensions inches (mm)

Const. Ref. 3, 4



Const. Ref. 5

