

PMi190

Panel Mount Impact Receipt Printer

Features

- Impact Dot Printing
- Paper Low Sensor
- 24 Columns
- Graphics
- Time & Date Stamp
- Compact Size
- Uses ERC09 or ERC22 Ribbon
- Uses PP225-80 Paper Roll

Description:

Available in 24 columns, the PMi190 is a compact, versatile and reliable panel mount printer perfect for a wide range of requirements. The PMi190 printer is a perfect companion for our flow computers and batch controllers and they are ideal for systems that require transaction printing.



SIZE

Dimensions (WxDxH) 126 x 126 x 40 mm
Panel Cutout 110 x 110
Weight 448g

GENERAL

Model PMi190
Print Method Impact Printing
Print Direction Shuttle Type Head
No. Of Columns 24
Printing Width 240 dots
Print Speed 1.5 lines per second
Character Size 5x7 dots
Line Spacing 3 dots
Ink Ribbon ERC-09, ERC-22 Long Life Purple or Black

POWER SUPPLY

Power Requirement 5.0 VDC, 12 or 24 VDC Optional

COMMUNICATION

Interface RS232 Serial, Centronics Parallel
Data Buffer 4 KB

PAPER

Paper Type Roll Paper (Plain)
Width 2.25"
Diameter 2.25"
No. Of Copies 2
Thickness 0.085 mm
Loading Auto Paper Loading
Feed Method Friction or Sprocket



ENVIRONMENTAL

Operating Condition 0 to 50°C, 10 to 85% RH
Storage Condition minus 25 to 60°C, 5 to 90% RH

RELIABILITY

Mechanism 1.5 Million Lines



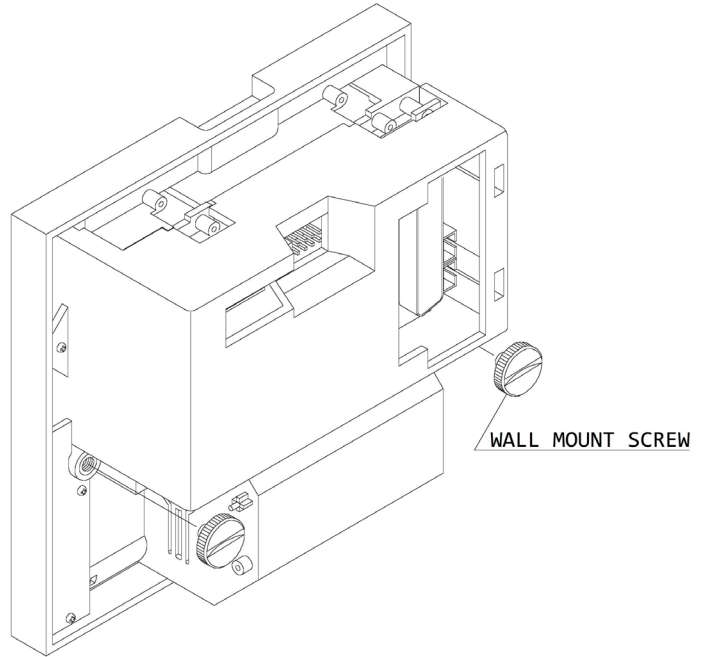
Sample Ticket:

```

TAG NUMBER = FT101
FLUID TYPE = SATURATED STEAM
TIME = 09:00
DATE = 12 AUG 2016
TRANSACTION NO = 77
MASS FLOW = 0.000 lbs/h
MASS TOTAL = 41348.371 lbs
MASS GRAND TOTAL = 41348.371 lbs
VOLUME FLOW = 0.000 ft3/h
VOLUME TOTAL = 327720.427 ft3
VOL. GRAND TOTAL = 327720.427 ft3
TEMPERATURE = 259.290 °F
PROCESS PRESSURE = 20.304 psig
DENSITY = 0.084 #/ft3
DIFF. PRESSURE = 0.000 in H2O
NO SERVICE TEST ERRORS
NO SELF TEST ERRORS
NO SYSTEM ALARMS
FLOW LOOP BROKEN
LOOP 2 BROKEN
PEAK DEMAND = 0.000 lbs/h
DEMAND LAST HOUR = 0.000 lbs/h
PEAK DEMAND TIME = 09:13
PEAK DEMAND DATE = 10 AUG 2016

```

Mounting:



Kessler-Ellis Products
 10 Industrial Way East
 Eatontown NJ 07724
 800-631-2165 or 732-935-1320
www.kep.com

How To Order:

EXAMPLE	PMi190	N
Series	PMi190 = Panel Mount; Impact Receipt Printer	
Options	N = NEMA 4X Wall Mount Enclosure with sub-panel & duplex outlet	

Accessories

- P2CA25M9ML6 = 6' Serial Cable for SUPERtrol I, SUPERtrol ILE, LEVELtrol II, SUPERtrol II
- P2CA25MFLL6 = 6' Serial Cable for MS716 or any Flow Computer with RS232 terminal block
- PMi190PR = Paper Roll for PMi190 Printer; Single-ply Impact (Pack of 10)
- PMi190INK-B = Black Ink Fabric Ribbon (Pack of 10)