

# General Specifications

Model FC0A  
Output Isolator  
(Current I/O Type)

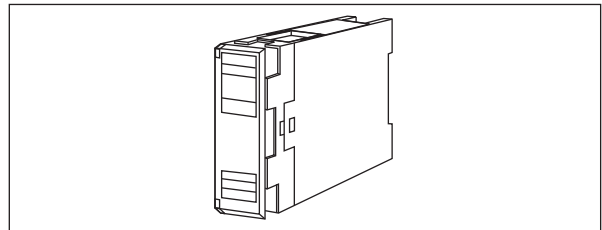
JUXTA

GS 77J08C10-01E

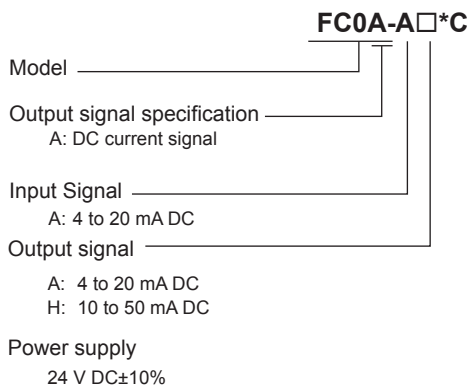
## ■ General

The FC0A is a compact, front terminal connection type output isolator that receives 4 to 20 mA signals, and converts them into 4-to-20 mA or 10-to-50 mA DC current signals.

- When a load circuit opens, input resistance increases rapidly to 32k or more so as to detect the open state through the input device.



## ■ Model and Suffix Codes



## ■ Ordering Information

Specify the following when ordering.

- Model and suffix codes: e.g. FC0A-AA\*C  
Note: It is a custom order if necessary to be mounted into F-RACK (X025).

## ■ Input/Output Specifications

Input signal: 4 to 20 mA DC  
Internal drop voltage:  
5 V DC or less (4 to 20 mA DC outputs)  
14 V DC or less (10 to 50 mA DC outputs)  
Maximum allowable input: 40 mA or less  
Output signal: DC current signal  
Allowable load resistance:  
750Ω or less (4 to 20 mA DC outputs)  
300Ω or less (10 to 50 mA DC outputs)

## ■ Standard Performance

Accuracy rating:  
±0.1% of span (4 to 20 mA DC outputs)  
±0.3% of span (10 to 50 mA DC outputs)  
Response speed: 150 ms, 63% response (10 to 90%)  
Insulation resistance: 100 MΩ or more at 500 V DC between input and output, output and power supply, and input and power supply.  
Withstand voltage: 1500 V AC/min. between (input and power supply) and output.  
500 V AC/min. between input and power supply.

## ■ Environmental Conditions

Operating temperature range: 0 to 50°C  
Operating humidity range: 5 to 90% RH (no condensation)  
Power supply voltage: 24 V DC±10% (percentage ripple is 5%p-p or less)  
Effect of power supply voltage fluctuations: ±0.1% or less for the fluctuation within the operating range of power supply voltage specification  
Effect of ambient temperature change: ±0.2% of span or less for a temperature change of 10°C  
Current consumption: 24 V DC 60 mA

## ■ Mounting and Dimensions

Material: ABS resin (Case body)  
Mounting method: Rack, Wall or DIN rail mounting  
Connection method: M4 screw terminals  
External dimensions: 72 × 24 × 127 mm (H x W x D)  
Weight: DC; Approx.130 g

## ■ Standard Accessories

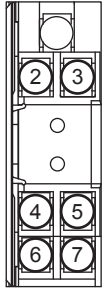
Tag number label: 1  
Mounting block: 2  
Mounting screw: M4 screw x 2

## ■ Custom Order Specifications

Mounting into the F-RACK (X025)

Note that the terminal assignments are different from that of standard.(See the table below)

## ■ Terminal Assignments

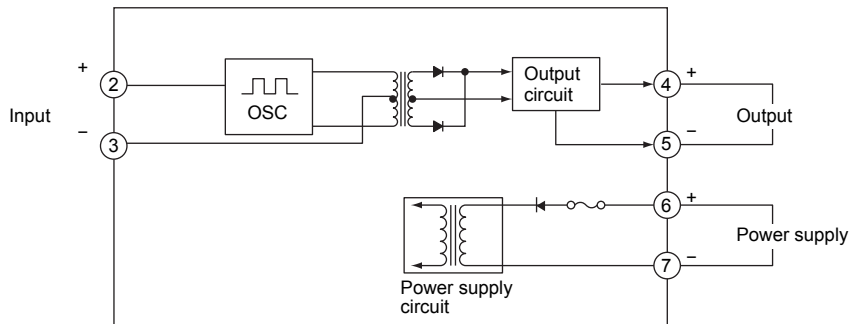


2	Input (+)
3	Input (-)
4	Output (+)
5	Output (-)
6	Supply (+)
7	Supply (-)

F-RACK(X025) mounting type (Custom order)

2	Output (+)
3	Output (-)
4	Input (+)
5	Input (-)
6	Supply (+)
7	Supply (-)

## ■ Block Diagram



## ■ External Dimensions

