

# Drawings

EJA430E  
Gauge Pressure Transmitter  
Wetted Parts Material  
Code: H, M, T, A, D, B, W

DPharp **EJA**<sup>TM</sup>

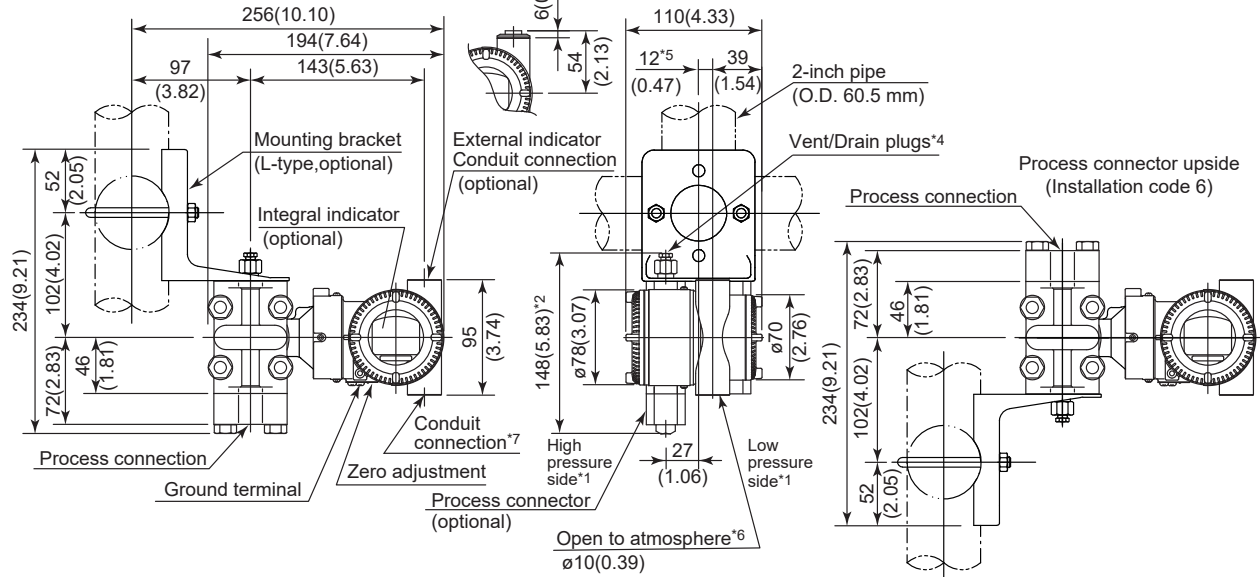
SD 01C31E01-06EN

[Style: S1, S2]

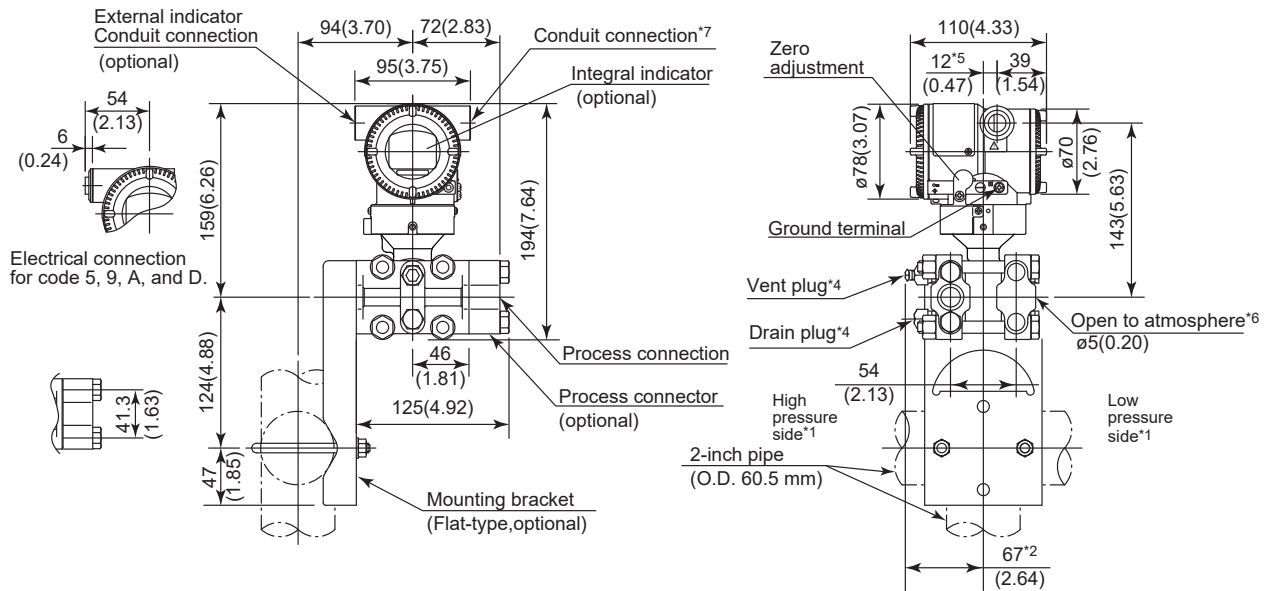
Unit: mm (approx. inch)

## • Vertical Impulse Piping Type

Process connector downside  
(Installation code 7)



## • Horizontal Impulse Piping Type (Installation code 9)



\*1: When Installation code 2, 3, or 8 is selected, high and low pressure side on the above figure are reversed.  
(i.e. High pressure side is on the right side.)

\*2: When Option code K1, K2, K5, K6, K41, K42, K45, or K46 is selected, add 15 mm(0.59 inch) to the value in the figure.

\*3: When electrical connection code 7 or C is selected, a blind plug is protruded up to 8 mm(0.31 inch) from the conduit connection.

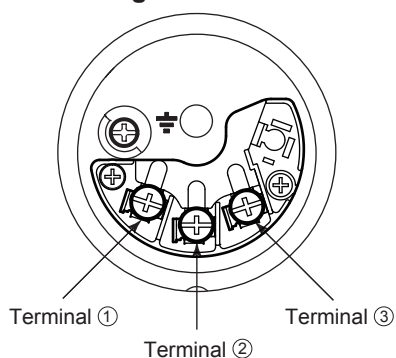
\*4: When option code UN is specified, Vent/Drain holes and plugs are not applicable.

\*5: When measurement span code H is selected, 9 mm(0.35 inch) for installation code 6, 7 and 9, or 15 mm(0.59 inch) for installation code 2, 3 and 8.

\*6: When option code BS is selected, The hole open to atmosphere on the cover flange of low pressure side is threaded and a bug screen is attached in it.

\*7: When option code PP is selected, a blind plug is attached to the conduit connection on both sides.

- **Terminal Configuration**



- **Terminal Wiring for 4 to 20 mA output, FOUNDATION Fieldbus and PROFIBUS PA communication types**

SUPPLY	+	①	] Power supply and output terminals
	-	②	
CHECK	+	③	] External indicator (ammeter) terminals*1*2
	-	②	
			⏏ Ground terminal

\*1: When using an external indicator or check meter, the internal resistance must be 10  $\Omega$  or less.

\*2: Not available for FOUNDATION Fieldbus and PROFIBUS PA communication types.

- **Terminal Wiring for 1 to 5 V output**

SUPPLY	+	①	] Power supply terminals
	-	②	
VOUT	+	③	] 1 to 5 V DC with HART communication terminals
	-	②	
			⏏ Ground terminal

Three or four wire connection. For four wire connection, both supply and signal lines use SUPPLY - terminal.