

Drawings

EJA438E

Diaphragm Sealed Gauge Pressure Transmitter (Diaphragm seal section, Inner Diaphragm/Flange connection type)

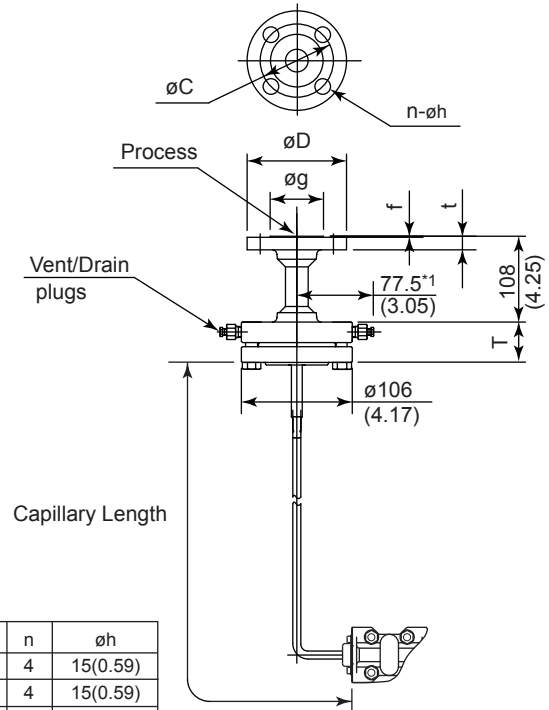
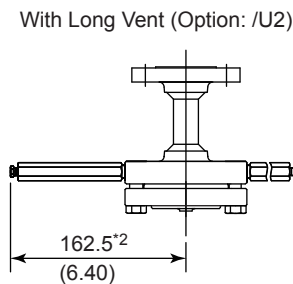
DPharp EJA®

SD 01C31J04-22EN

[Style: S1, S2]

Unit: mm (approx. inch)

- *1: In case of oil-prohibited use or oil-prohibited use with dehydrating treatment, 15mm added.
- *2: In case of oil-prohibited use or oil-prohibited use with dehydrating treatment, 11mm added.



Process Flange Size: 1/2 inch(15mm)

Flange rating	ϕD	ϕC	ϕg	T	t	f	n	ϕh
JIS 10K	95(3.74)	70(2.76)	51(2.01)	42(1.65)	12(0.47)	1(0.04)	4	15(0.59)
JIS 20K	95(3.74)	70(2.76)	51(2.01)	42(1.65)	14(0.55)	1(0.04)	4	15(0.59)
JIS 40K	115(4.53)	80(3.15)	55(2.17)	42(1.65)	20(0.79)	1(0.04)	4	19(0.75)
ANSI class 150	88.9(3.50)	60.5(2.38)	35.1(1.38)	42(1.65)	11.2(0.44)	1.6(0.06)	4	15.7(0.62)
ANSI class 300	95.3(3.75)	66.5(2.62)	35.1(1.38)	42(1.65)	14.3(0.56)	1.6(0.06)	4	15.7(0.62)
ANSI class 600	95.3(3.75)	66.5(2.62)	35.1(1.38)	57(2.24)	20.7(0.81)	6.4(0.25)	4	15.7(0.62)
JPI class 150	89(3.50)	60.5(2.38)	35.1(1.38)	42(1.65)	11.2(0.44)	1.6(0.06)	4	16(0.63)
JPI class 300	95(3.74)	66.5(2.62)	35.1(1.38)	42(1.65)	14.3(0.56)	1.6(0.06)	4	16(0.63)
JPI class 600	95(3.74)	66.5(2.62)	35.1(1.38)	57(2.24)	20.7(0.81)	6.4(0.25)	4	16(0.63)

Process Flange Size: 3/4 inch(20mm)

Flange rating	ϕD	ϕC	ϕg	T	t	f	n	ϕh
JIS 10K	100(3.94)	75(2.95)	56(2.20)	42(1.65)	14(0.55)	1(0.04)	4	15(0.59)
JIS 20K	100(3.94)	75(2.95)	56(2.20)	42(1.65)	16(0.63)	1(0.04)	4	15(0.59)
JIS 40K	120(4.72)	85(3.35)	60(2.36)	42(1.65)	20(0.79)	1(0.04)	4	19(0.75)
ANSI class 150	98.6(3.88)	69.9(2.75)	42.9(1.69)	42(1.65)	12.7(0.50)	1.6(0.06)	4	15.7(0.62)
ANSI class 300	117.3(4.62)	82.6(3.25)	42.9(1.69)	42(1.65)	15.8(0.62)	1.6(0.06)	4	19.1(0.75)
ANSI class 600	117.3(4.62)	82.6(3.25)	42.9(1.69)	57(2.24)	22.2(0.87)	6.4(0.25)	4	19.1(0.75)
JPI class 150	99(3.90)	69.8(2.75)	42.9(1.69)	42(1.65)	12.7(0.50)	1.6(0.06)	4	16(0.63)
JPI class 300	117(4.61)	82.6(3.25)	42.9(1.69)	42(1.65)	15.8(0.62)	1.6(0.06)	4	19(0.75)
JPI class 600	117(4.61)	82.6(3.25)	42.9(1.69)	57(2.24)	22.2(0.87)	6.4(0.25)	4	19(0.75)

Process Flange Size: 1 inch(25mm)

Flange rating	ϕD	ϕC	ϕg	T	t	f	n	ϕh
JIS 10K	125(4.92)	90(3.54)	67(2.64)	42(1.65)	14(0.55)	1(0.04)	4	19(0.75)
JIS 20K	125(4.92)	90(3.54)	67(2.64)	42(1.65)	16(0.63)	1(0.04)	4	19(0.75)
JIS 40K	130(5.12)	95(3.74)	70(2.76)	42(1.65)	22(0.87)	1(0.04)	4	19(0.75)
ANSI class 150	108(4.25)	79.2(3.12)	50.8(2.00)	42(1.65)	14.3(0.56)	1.6(0.06)	4	15.7(0.62)
ANSI class 300	124(4.88)	88.9(3.50)	50.8(2.00)	42(1.65)	17.6(0.69)	1.6(0.06)	4	19.1(0.75)
ANSI class 600	124(4.88)	88.9(3.50)	50.8(2.00)	57(2.24)	24(0.95)	6.4(0.25)	4	19.1(0.75)
JPI class 150	108(4.25)	79.2(3.12)	50.8(2.00)	42(1.65)	14.3(0.56)	1.6(0.06)	4	16(0.63)
JPI class 300	124(4.88)	88.9(3.50)	50.8(2.00)	42(1.65)	17.6(0.69)	1.6(0.06)	4	19(0.75)
JPI class 600	124(4.88)	88.9(3.50)	50.8(2.00)	57(2.24)	24(0.95)	6.4(0.25)	4	19(0.75)