



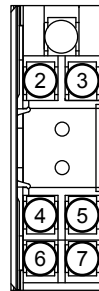
### ■ Mounting and Dimensions

Material: ABS resin (Case body)  
 Mounting method: Rack, Wall or DIN rail mounting  
 Connection method: M4 screw terminals  
 External dimensions: 72 × 24 × 127 mm (H x W x D)  
 Weight: Approx. 130 g

### ■ Standard Accessories

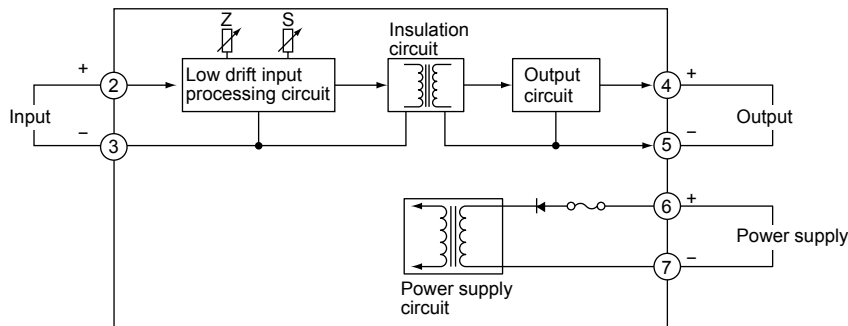
Tag number label: 1  
 Mounting block: 2  
 Mounting screw: M4 screw x 2

### ■ Terminal Assignments



2	Input	(+)
3	Input	(-)
4	Output	(+)
5	Output	(-)
6	Supply	(+)
7	Supply	(-)

### ■ Block Diagram



### ■ External Dimension

