

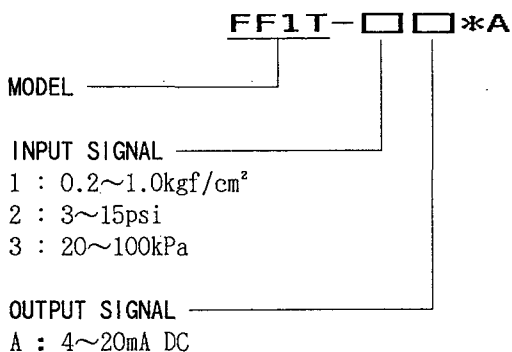
# General Specifications

Model FF1T  
P/E Transducer  
(2 Wire Type)

JUXTA

This 2-wire type P/E Transducer converts 20~100kPa, 0.2~1.0kgf/cm<sup>2</sup> or 3~15psi signal into 4~20mA DC signal.

- Compact type by using semi-conductor pressure sensor.
- No positional error.
- Output current can be monitored by connecting ampere meter to CHECK terminal.

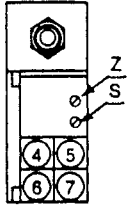


### ORDERING INFORMATION

- Model Code : (Example) FF1T-1A\*A

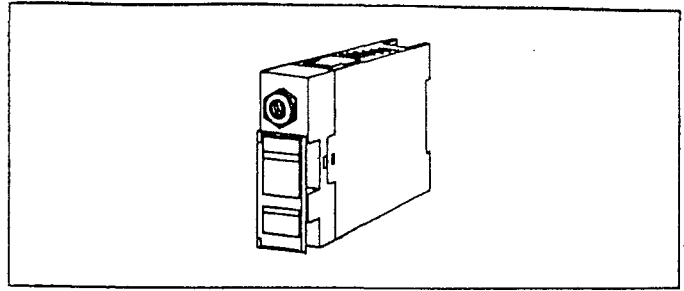
Input & Output
Input signal : 20~100kPa, 0.2~1.0kgf/cm <sup>2</sup> or 3~15psi dry non-corrosive air
Permissible Input Pressure : Less than 200kPa, 2.0kgf/cm <sup>2</sup> or 28psi
Output signal : 4~20mA DC
Output signal range : 3.6~21.6mA DC(-2.5~110%)
Permissible load resistance : $R \leq (\text{supply voltage} - 12) \times 50 [\Omega]$
Zero adjust range : $\pm 5\%$ of span
Span adjust range : $\pm 5\%$ of span
Standard Performance
Accuracy rating : $\pm 0.2\%$ of span $\pm 0.5\%$ of span when multi-close mounting
Response speed : 100ms 63% response (10~90%)
Temperature range : 0~50°C
Humidity range : 5~90% RH (no condensation)
Supply voltage : 12~42V DC
Effect of supply voltage fluctuation : Less than $\pm 0.1\%$ of span for fluctuation of 12~42V DC
Effect of ambient temperature change : Less than $\pm 0.4\%$ of span for 10°C change
Mounting & Dimension & Accessories
Materials : Case ABS plastic
Mounting method : Rack, wall, DIN rail mountings
Signal connection :
Electric signal :
Front terminal board (M4 screw)
Pneumatic signal :
Pneumatic supply hole of transducer upper face Rc 1/8 (PT 1/8) female screw
External dimension : 72x24x127mm (HxWxD)
Weight : 150g
Accessories : Tag number label ..... 1 Mounting Block ..... 2 M4 Screw ..... 2

TERMINAL ARRANGEMENT

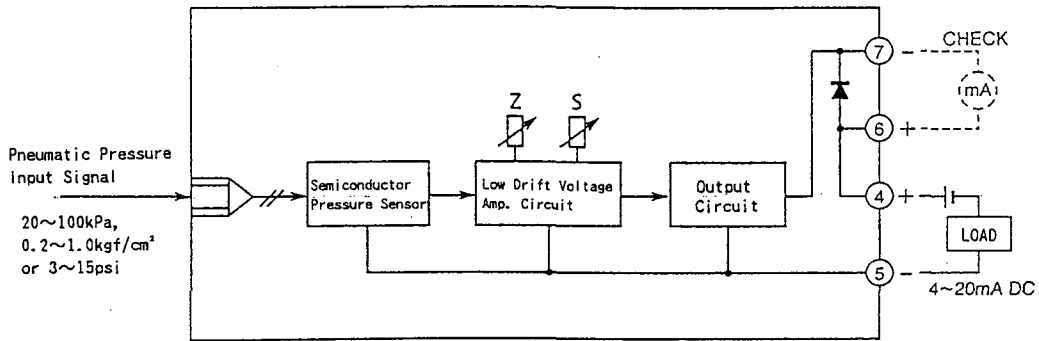


	INPUT PNEUMATIC PRESSURE 20~100kPa, 0.2~1.0kgf/cm <sup>2</sup> or 3~15psi	Rc 1/8 (PT 1/8)
4	OUTPUT (+)	M4 Screw
5	OUTPUT (-)	
6	CHECK (+)	
7	CHECK (-)	

Z: Zero adjust trimmer  
S: Span adjust trimmer

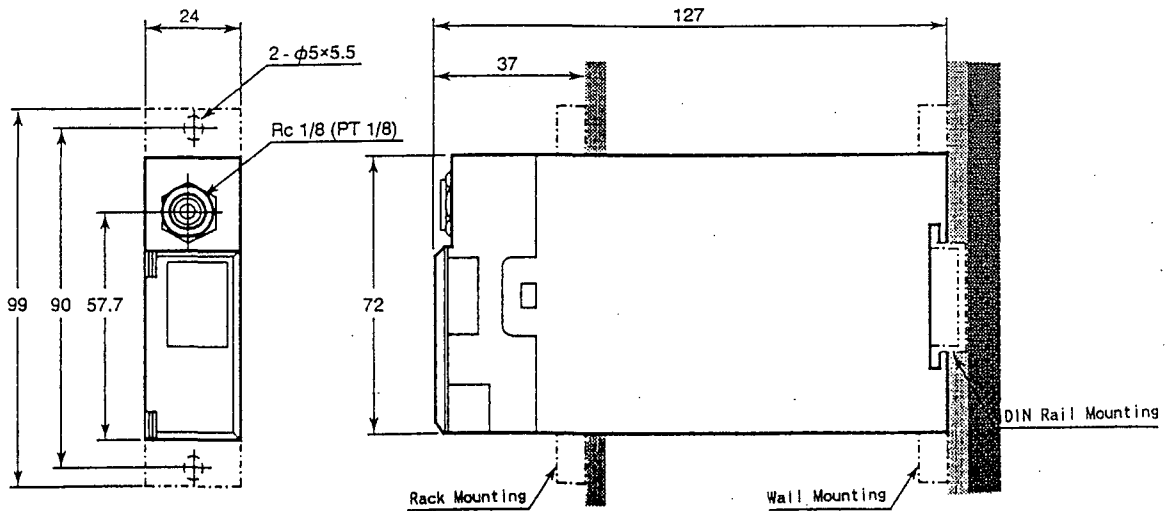


BLOCK DIAGRAM



EXTERNAL DIMENSIONS

Unit : mm



Subject to change without notice for grade up quality and performance