

Drawings

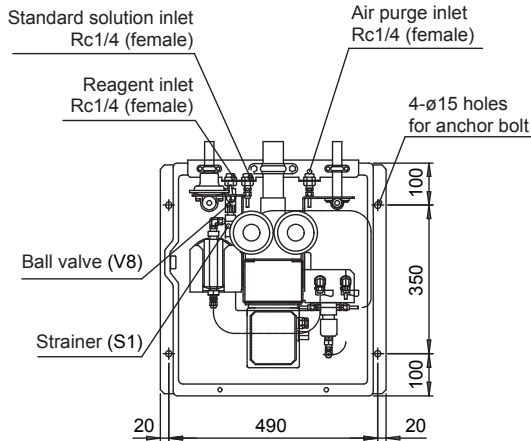
RC400G-3

EXA RC

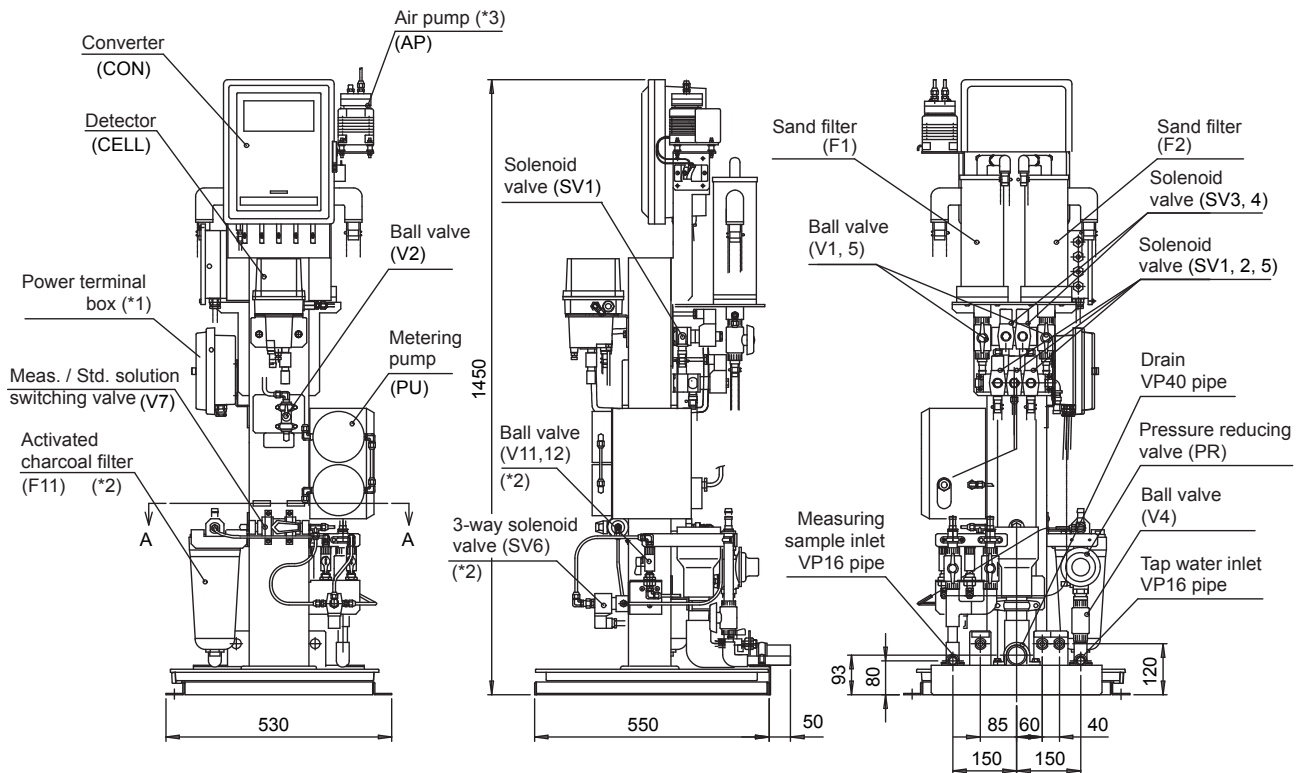
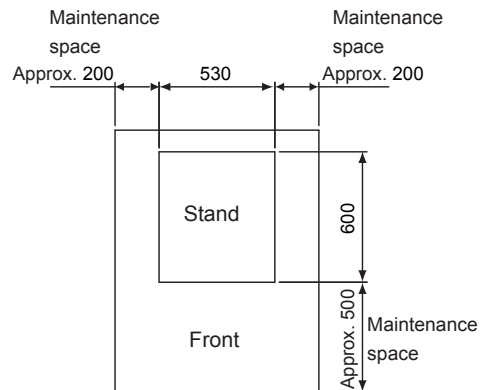
Residual Chlorine Analyzer

(for raw water with two cylinder sand filter)

unit : mm



Cross section A-A



- (*1) Option /ARS applies to model with arrestors
- (*2) Option /AZC applies to model with auto zero calibration
- (*3) Option /AP□ applies to model with air purge pump

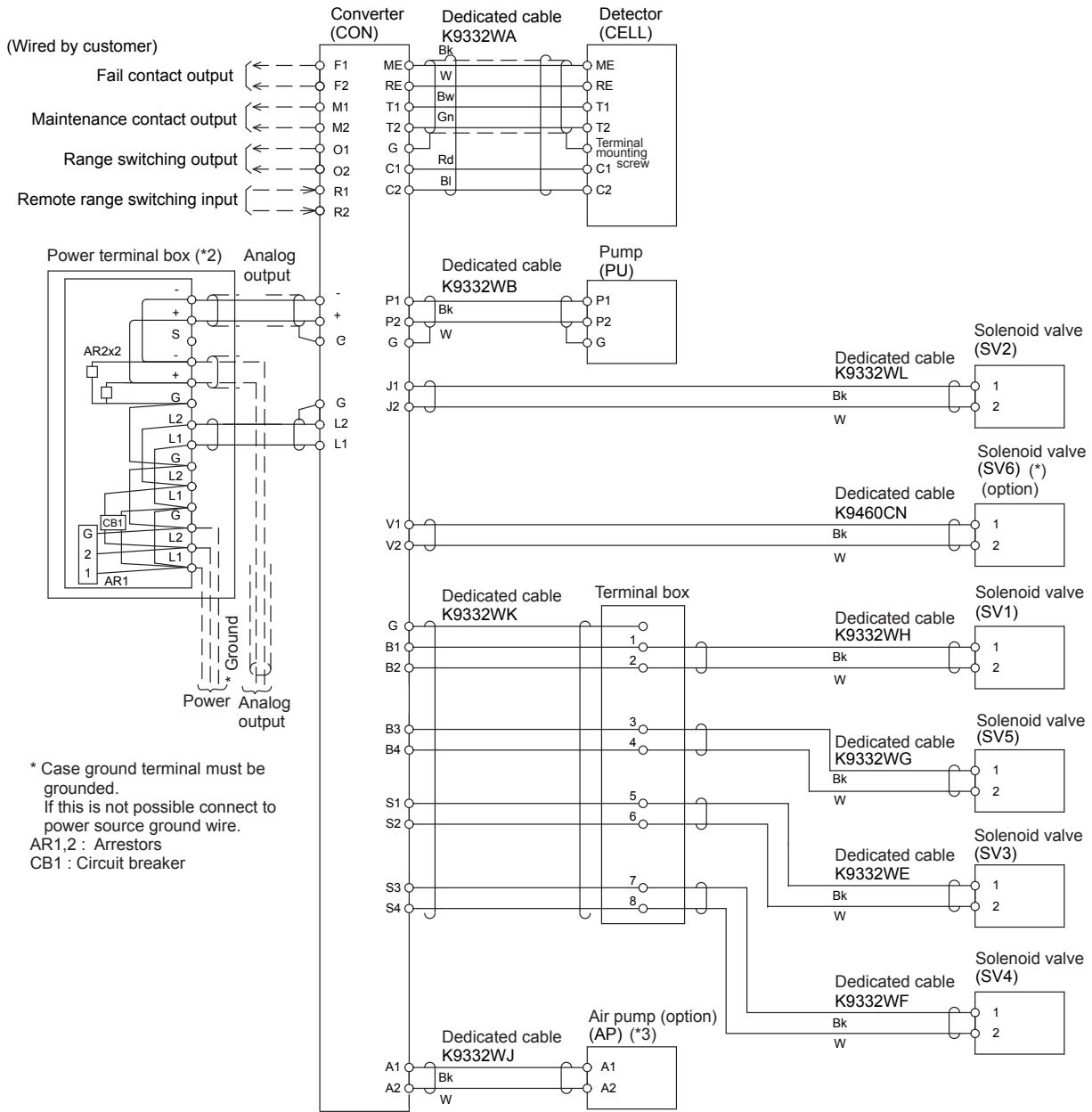
F2_3E.ai

Weight: Approx. 75 kg

Unless otherwise specified, differences in the dimensions are specified as: General tolerance = ± (Criteria of tolerance class IT18 in JIS B0401) / 2.

Wiring Diagram

● RC400G-3/ARS/AZC



(Note)

- Dotted lines : external wiring
- Use cable of 6 to 12 mm OD, however when connecting via power terminal box option use cable of 9 to 11 mm OD for both power and analog output cables.
- (*1) Option /AZC applies to auto zero calibration
- (*2) Option /ARS applies to version with arrestor
- (*3) Option /AP□ applies to version with air purge pump

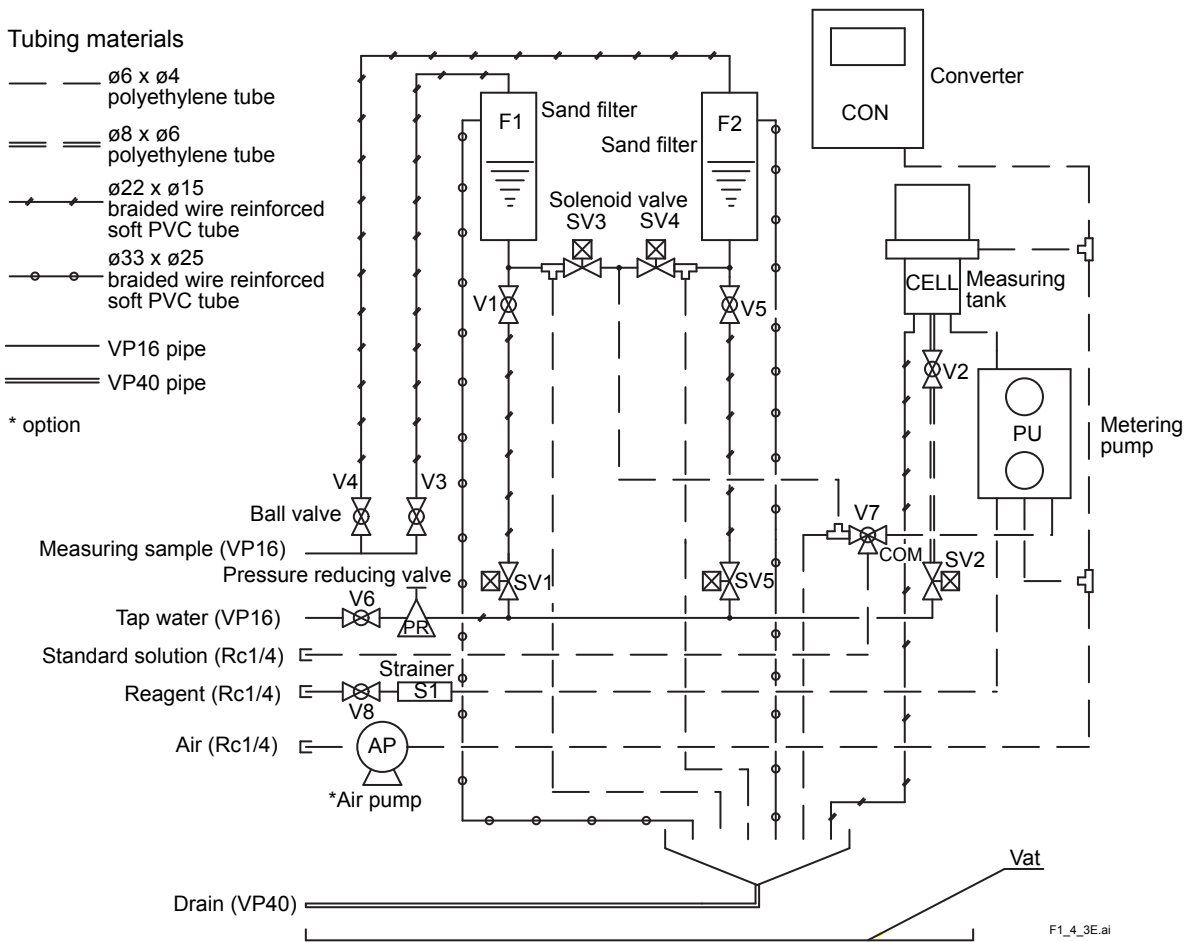
F18.EPS

Piping Diagram

● RC400G-3

Tubing materials

- — — — — $\varnothing 6 \times \varnothing 4$ polyethylene tube
- ==== $\varnothing 8 \times \varnothing 6$ polyethylene tube
- - - - - $\varnothing 22 \times \varnothing 15$ braided wire reinforced soft PVC tube
- - - - - $\varnothing 33 \times \varnothing 25$ braided wire reinforced soft PVC tube
- VP16 pipe
- ==== VP40 pipe
- * option



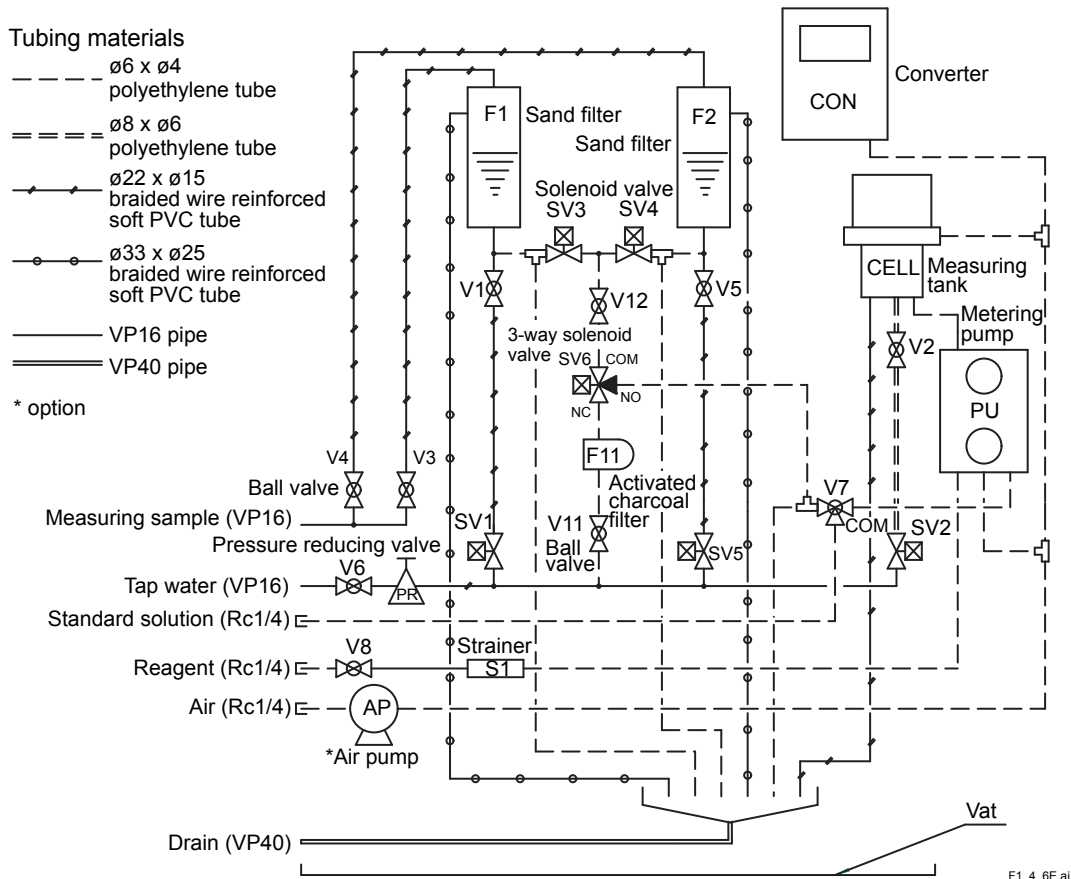
F1_4_3E.ai

● RC400G-3/AZC with auto zero calibration

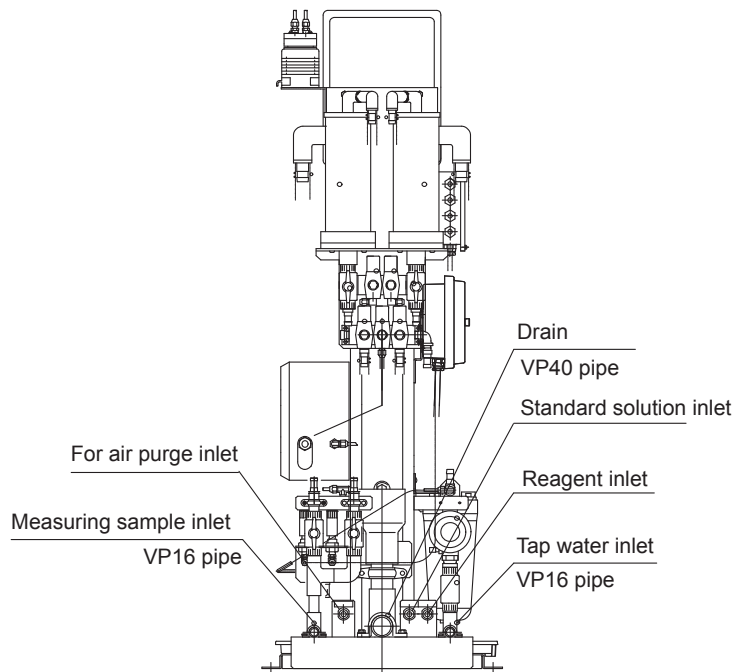
Tubing materials

- $\phi 6 \times \phi 4$ polyethylene tube
- === $\phi 8 \times \phi 6$ polyethylene tube
- - - $\phi 22 \times \phi 15$ braided wire reinforced soft PVC tube
- - - $\phi 33 \times \phi 25$ braided wire reinforced soft PVC tube
- VP16 pipe
- VP40 pipe

* option



F1_4_6E.ai



F3_3_1E.ai