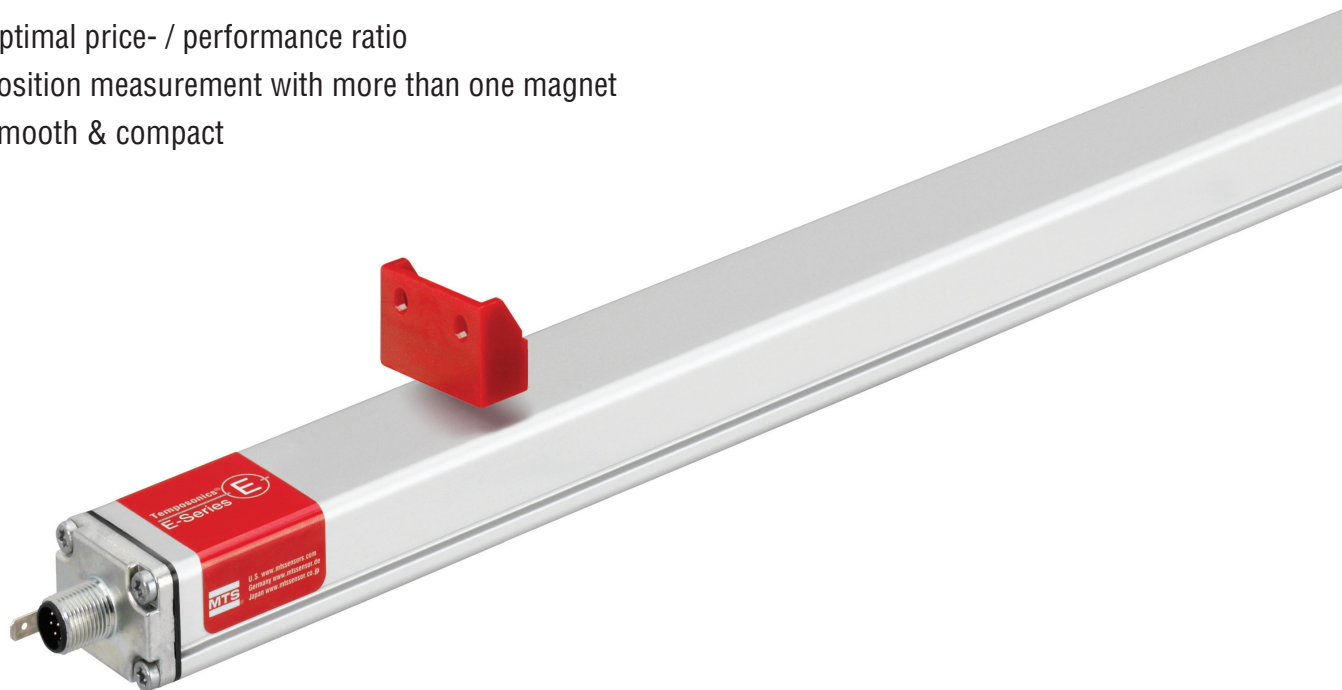


Temposonics®

Magnetostrictive Linear Position Sensors

EP2 CANopen Data Sheet

- Optimal price- / performance ratio
- Position measurement with more than one magnet
- Smooth & compact



MEASURING TECHNOLOGY

The absolute, linear position sensors provided by MTS Sensors rely on the company's proprietary Temposonics® magnetostrictive technology, which can determine position with a high level of precision and robustness. Each Temposonics® position sensor consists of a ferromagnetic waveguide, a position magnet, a strain pulse converter and supporting electronics. The magnet, connected to the object in motion in the application, generates a magnetic field at its location on the waveguide. A short current pulse is applied to the waveguide. This creates a momentary radial magnetic field and torsional strain on the waveguide. The momentary interaction of the magnetic fields releases a torsional strain pulse that propagates the length of the waveguide. When the ultrasonic wave reaches the end of the waveguide it is converted into an electrical signal. Since the speed of the ultrasonic wave in the waveguide is precisely known, the time required to receive the return signal can be converted into a linear position measurement with both high accuracy and repeatability.

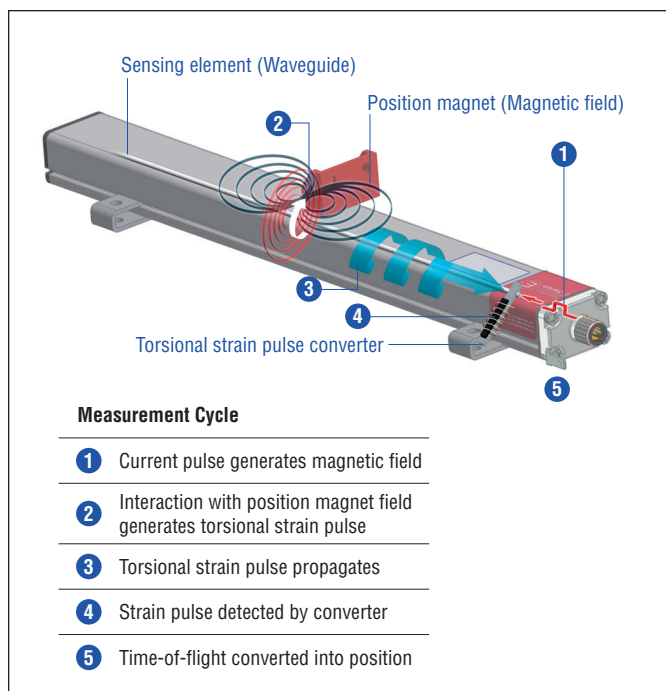


Fig. 1: Time-of-flight based magnetostrictive position sensing principle

EP2 SENSOR

Robust, non-contact and wear free, the Temposonics® linear position sensor provide high durability and precise position measurement feedback in harsh industrial environments. Measurement accuracy is tightly controlled by the quality of the waveguide manufactured exclusively by MTS Sensors.

The compact and smooth aluminum profile offers flexible mounting options and easy installation. Moreover, the position magnet can travel along the entire flat housing profile. The EP2 has an attractive price- / performance ratio and is ideal for industrial applications including plastics molding and processing, factory automation and packaging.



Fig. 2: Plastic granulate for injection molding or extrusion

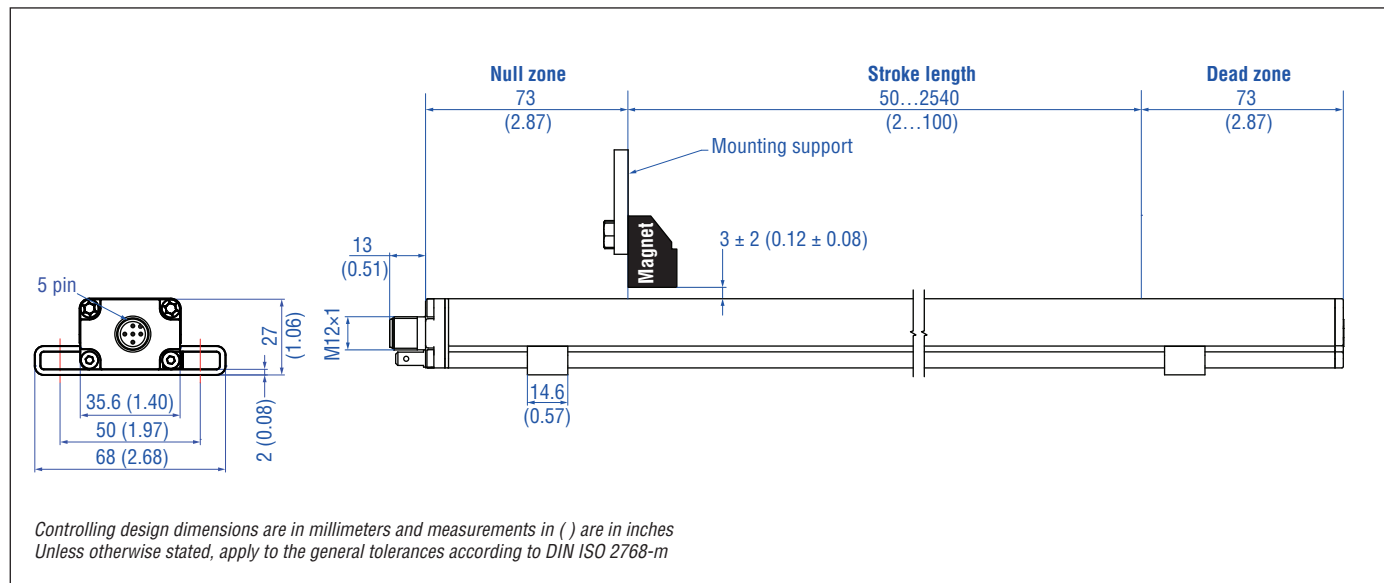
TECHNICAL DATA

Output	
Interface	CAN System ISO-DIS 11898
Data protocol	CANopen: CIA standard DS 301 V3.0 / encoder profile DS 406 V3.1
Baud rate, kBit/s	1000 800 500 250 125
Cable length, m	< 25 < 50 < 100 < 250 < 500
	The sensor will be supplied with ordered baud rate, changeable by customer via LSS
Measured variable	Position, option: Multi-position measurement with a maximum of 2 magnets
Measurement parameters	
Resolution	10 µm, 20 µm
Cycle time	1 ms
Linearity	≤ ±0.02 % F.S. (minimum ±90 µm)
Repeatability	≤ ±0.005 % F.S. (minimum ±20 µm)
Operating conditions	
Operating temperature	-40...+75 °C (-40...+167 °F)
Humidity	90 % rel. humidity, no condensation
Ingress protection ^{1,2}	IP67 (if mating cable connector is correctly fitted)
Shock test	100 g (single shock) IEC standard 60068-2-27
Vibration test	8 g / 10...2000 Hz IEC standard 60068-2-6 (resonance frequencies excluded)
EMC test	Electromagnetic emission according to EN 61000-6-3 Electromagnetic immunity according to EN 61000-6-2 The sensor meets the requirements of the EC directives and is marked with CE
Magnet movement velocity	Any
Design / Material	
Sensor lid	Zinc die-cast
Sensor profile	Aluminum
Stroke length	50...2540 mm (2...100 in.)
Mechanical mounting	
Mounting position	Any
Mounting instruction	Please consult the technical drawings and the brief instructions (document number: 551684)
Electrical connection	
Connection type	M12 (5 pin) male connector
Operating voltage	+24 VDC (-15 / +20 %); UL recognition requires an approved power supply with energy limitation (UL 61010-1), or Class 2 rating according to the National Electrical Code (USA) / Canadian Electrical Code
Ripple	≤ 0.28 V _{pp}
Current consumption	40...60 mA depending on stroke length
Dielectric strength	500 VDC (DC ground to machine ground)
Polarity protection	Up to -30 VDC
Overvoltage protection	Up to 36 VDC

1/ The IP rating is not part of the UL recognition

2/ The IP rating IP67 is only valid for the sensors electronics housing, as water and dust can get inside the profile

TECHNICAL DRAWING



CONNECTOR WIRING

D34

M12 A-coded	Pin	Function
	1	Shield
	2	+24 VDC (-15 / +20 %)
	3	DC Ground (0 V)
	4	CAN_H
	5	CAN_L

FREQUENTLY ORDERED ACCESSORIES – Additional options available in our [Accessories Guide](#) 551444


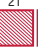

Position magnet	Cable connectors ³		
<p>Block magnet L Part no. 403 448</p>	<p>M12 (5 pin) female, straight Part no. 370 677</p>	<p>M12 (5 pin) female, angled Part no. 370 678</p>	<p>M12 (5 pin) male, straight Part no. 561 665</p>
<p>Material: Hard ferrite Weight: Ca. 20 g Operating temperature: -40...+75 °C (-40...+167 °F) Fastening torque for M4 screws: 1 Nm</p>	<p>Housing: GD-Zn, Ni / IP67 Termination: Screw; max. 0.75 mm² Contact insert: CuZn Cable Ø: 4...8 mm (0.16...0.31 in.) Fastening torque: 0.6 Nm</p>	<p>Housing: GD-Zn, Ni / IP67 Termination: Screw; max. 0.75 mm² Contact insert: CuZn Cable Ø: 5...8 mm (0.2...0.31 in.) Fastening torque: 0.6 Nm</p>	<p>Housing: GD-Zn, Ni / IP67 Termination: Screw; max. 0.75 mm² Contact insert: CuZn Cable Ø: 4...8 mm (0.16...0.31 in.) Fastening torque: 0.6 Nm</p>

Cord sets	Connection accessories		
<p>M12 (5 pin) female, straight Part no. 370 673</p>	<p>M12 (5 pin) female, angled Part no. 370 675</p>	<p>M12 (5 pin) CANopen T-Connector Part no. 370 691</p>	<p>M12 (5 pin) CANopen bus terminator male Part no. 370 700</p>
<p>Ingress protection: IP67 Cable: Shielded, pigtail end Cable length: 5 m (16.4 ft.)</p>	<p>Ingress protection: IP67 Cable: Shielded, pigtail end Cable length: 5 m (16.4 ft.)</p>	<p>Selfcuring coupling nut 2 × cable connector female 1 × cable connector male shielded</p>	<p>Housing: PUR Contact insert: Au</p>

Mounting clamp
<p>4 Holes</p>
<p>Mounting clamp Part no. 403 508</p>

Controlling design dimensions are in millimeters and measurements in () are in inches
3/ Follow the manufacturer's mounting instructions when connecting the connectors

ORDER CODE

1	2	3	4	5	6	7	8	9	10	11	12	13	14	15	16	17	18	19	20	21	22
E	P	2						D	3	4	1	C						1			
a			b					c			d	e				f	g	h	i		

optional

a	Sensor model
E P 2	Smooth profile

b	Stroke length
X X X X M	0050...2540 mm
X X X X U	002.0...100.0 in.

Standard stroke length (mm)*

Stroke length	Ordering steps
50 ... 500 mm	25 mm
500...2540 mm	50 mm

Standard stroke length (in.)*

Stroke length	Ordering steps
2 ... 20 in.	1.0 in.
20...100 in.	2.0 in.

c	Connection type
D 3 4	M12 (5 pin) male connector

d	Operating voltage
1	+24 VDC (-15 / +20 %)

e	Output
C 3 0 4	CANopen
C 4 0 4	CANopen (bus terminator)

f	Baud rate
1	1000 kBit/s
2	500 kBit/s
3	250 kBit/s
4	125 kBit/s

g	Resolution
4	10 µm
5	20 µm

h	Type
1	Standard

Optional

i	Magnet number for multi-position measurement
Z 0 2	2 magnets

DELIVERY



- Sensor
- 2 mounting clamps up to 1250 mm (50 in.) stroke length
- + 1 mounting clamp for each 500 mm (20 in.) additional stroke length

Accessories have to be ordered separately.

Operation manuals & software are available at:
www.mtssensors.com

* / Non standard stroke lengths are available; must be encoded in 5 mm / 0.1 in. increments

Document Part Number:
551339 Revision B (EN) 05/2016

LOCATIONS

USA

**MTS Systems Corporation
Sensors Division**
3001 Sheldon Drive
Cary, N.C. 27513, USA
Tel. +1 919 677-0100
Fax +1 919 677-0200
info.us@mtssensors.com
www.mtssensors.com

JAPAN

MTS Sensors Technology Corp.
737 Aihara-machi,
Machida-shi,
Tokyo 194-0211, Japan
Tel. +81 42 775-3838
Fax +81 42 775-5512
info.jp@mtssensors.com
www.mtssensors.com

FRANCE

MTS Systems SAS
Zone EUROPARC Bâtiment EXA 16
16/18, rue Eugène Dupuis
94046 Creteil, France
Tel. +33 1 58 4390-28
Fax +33 1 58 4390-03
info.fr@mtssensors.com
www.mtssensors.com

GERMANY

**MTS Sensor Technologie
GmbH & Co. KG**
Auf dem Schüffel 9
58513 Lüdenscheid, Germany
Tel. +49 2351 9587-0
Fax +49 2351 56491
info.de@mtssensors.com
www.mtssensors.com

CHINA

MTS Sensors
Room 504, Huajing Commercial Center,
No. 188, North Qinzhou Road
200233 Shanghai, China
Tel. +86 21 6485 5800
Fax +86 21 6495 6329
info.cn@mtssensors.com
www.mtssensors.com

ITALY

**MTS Systems Srl
Sensor Division**
Via Camillo Golgi, 5/7
25064 Gussago (BS), Italy
Tel. +39 030 988 3819
Fax +39 030 982 3359
info.it@mtssensors.com
www.mtssensors.com

LEGAL NOTICES

MTS, Temposonics and Level Plus are registered trademarks of MTS Systems Corporation in the United States; MTS SENSORS and the MTS SENSORS logo are trademarks of MTS Systems Corporation within the United States. These trademarks may be protected in other countries. All other trademarks are the property of their respective owners. Copyright © 2016 MTS Systems Corporation. No license of any intellectual property rights is granted. MTS reserves the right to change the information within this document, change product designs, or withdraw products from availability for purchase without notice. Typographic and graphics errors or omissions are unintentional and subject to correction. Visit www.mtssensors.com for the latest product information.

ISO 9001
CERTIFIED



Reg.-No. 003095-QM08



CANopen
certified

CiA201202-301V402/20-0151