

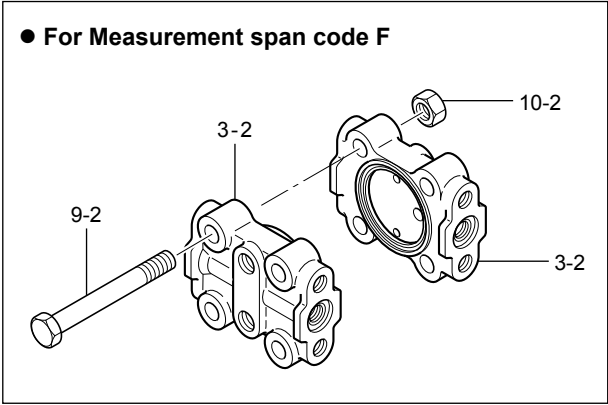
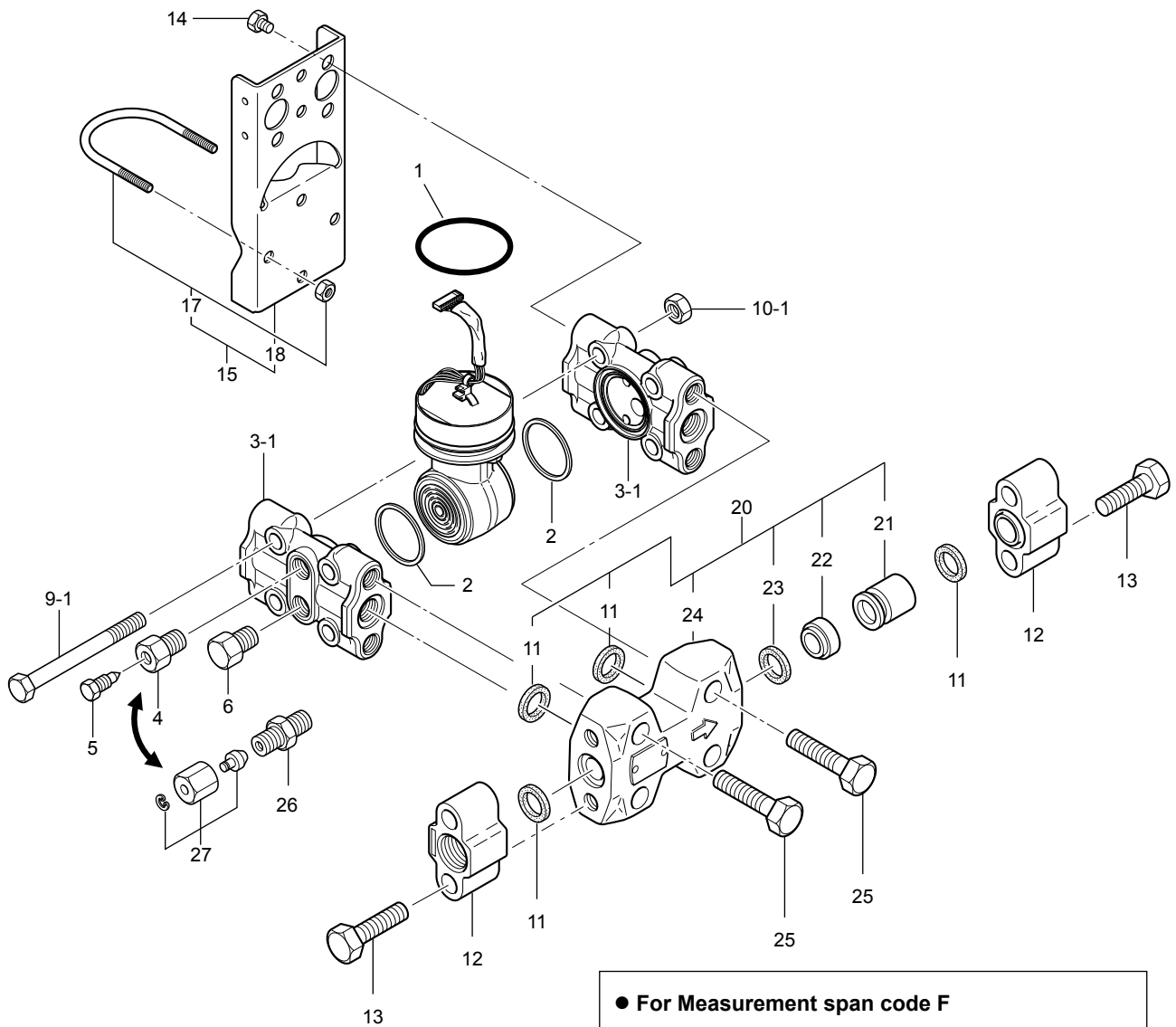
# Customer Maintenance Parts List

EJX115A  
Low Flow Transmitter  
(Pressure-detector Section)

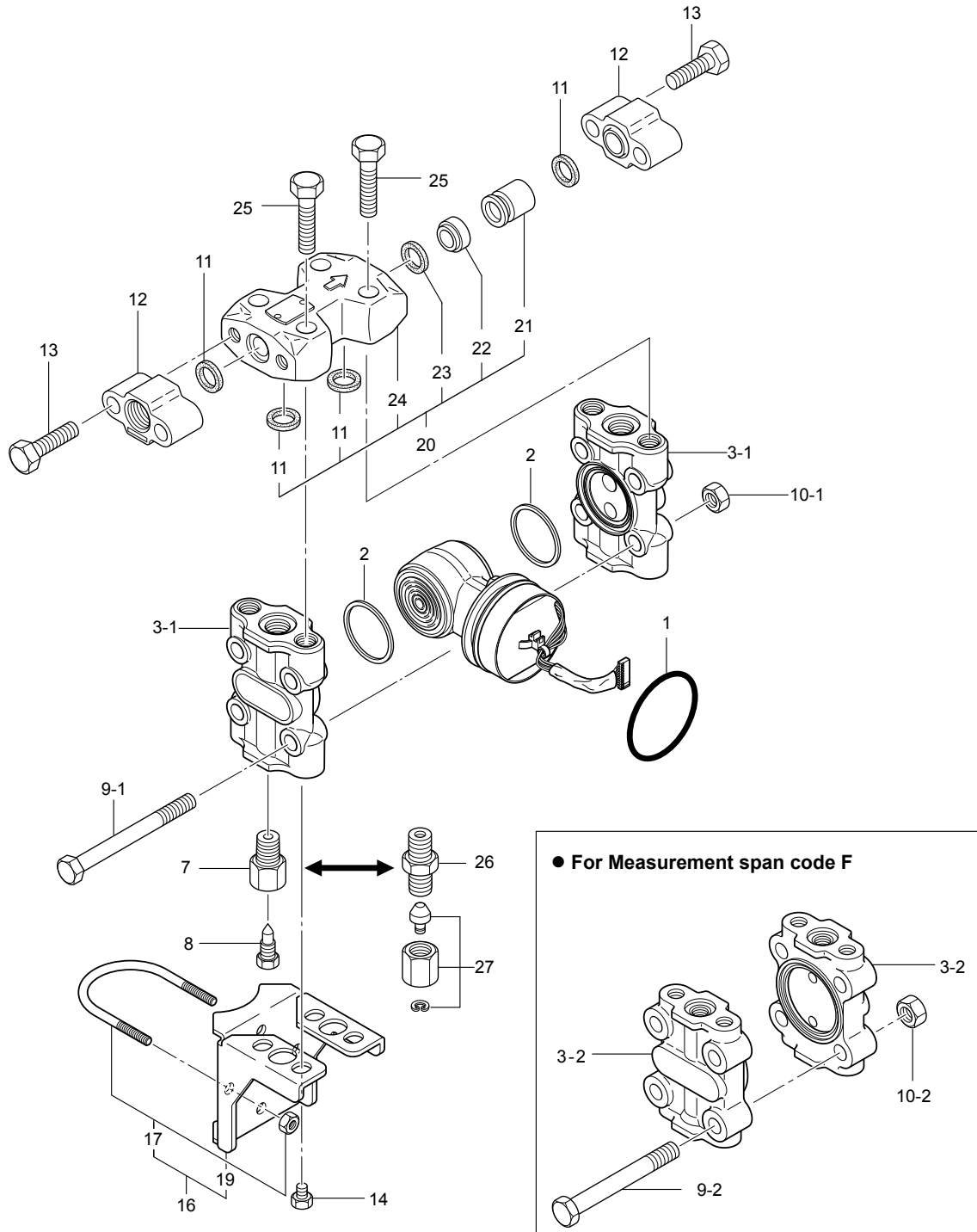
DPharp **EJX**™

[Style: S1]

## Horizontal Impulse Piping Type



**Vertical Impulse Piping Type**



Item	Part No.	Qty	Description
1	Below F9900GH F9900GT	1	O-ring Buna-N For Option code /HE, Fluoro-rubber
2	Below F9900EA F9340GA	2 2	Gasket (Note 1) For Measurement span code M and H, Teflon coated 316L SST For Measurement span code F, Teflon coated 316L SST
3-1	Below F9900TA F9900TB F9900TC F9900TD	2	Cover flange for Measurement span code M and H (Note 1) Rc 1/4 for horizontal impulse piping, ASTM CF-8M 1/4 NPT for horizontal impulse piping, ASTM CF-8M Rc 1/4 for vertical impulse piping, ASTM CF-8M 1/4 NPT for vertical impulse piping, ASTM CF-8M
3-2	Below F9340VA F9340VB F9340VC F9340VD	2	Cover flange for Measurement span code F (Note 1) Rc 1/4 for horizontal impulse piping, ASTM CF-8M 1/4 NPT for horizontal impulse piping, ASTM CF-8M Rc 1/4 for vertical impulse piping, ASTM CF-8M 1/4 NPT for vertical impulse piping, ASTM CF-8M
4	Below F9340SA F9340SB	2 2	Vent plug R 1/4, 316 SST 1/4 NPT, 316 SST
5	D0114PB	2	Vent screw, 316 SST
6	Below F9200CS D0114RZ	2 2	Drain plug (Note 1) R 1/4, 316 SST 1/4 NPT, 316 SST
7	Below F9340SC F9340SD	2 2	Drain/vent plug R 1/4, 316 SST 1/4 NPT, 316 SST
8	F9270HE	2	Drain/vent screw, 316 SST
9-1	Below F9900AC F9900AA	4	Bolt for Measurement span code M and H ASTM-B7M carbon steel 316L SST
9-2	Below F9340BC F9900AB	4	Bolt for Measurement span code F ASTM-B7M carbon steel 316L SST
10-1	Below F9900BC F9900BA	4	Nut for Measurement span code M and H ASTM-B7M carbon steel 316L SST
10-2	Below F9340CC F9900BB	4	Nut for Measurement span code F ASTM-B7M carbon steel 316L SST
11	D0114RB	4	Gasket, PTFE Teflon (Note 1)
12	Below F9340XW F9340XX	2	Process connector, ASTM CF-8M (Note 1) Rc 1/2 1/2 NPT
13	Below F9900AU F9900AS	4	Process connector bolt ASTM-B7M carbon steel 316L SST
14	Below F9273CZ F9900SH	4	Transmitter mounting bolt, SUSXM7 for Mounting bracket code B and D 316 SST for Mounting bracket code J and K

(Note 1) In case of degrease cleansing treatment (Option code /K1, /K2, /K5, or /K6), consult Yokogawa local office.

Item	Part No.	Qty	Description
15	Below F9300TA F9900SA	1	Bracket assembly (Flat type) 304 SST 316 SST
16	Below F9340EC F9900SC	1	Bracket assembly (L type) 304 SST 316 SST
17	Below D0117XL-A F9900SN	1	U-bolt/nut assembly 304 SST 316 SST
18	Below F9300TE F9900SB	1	Bracket (Flat type) 304 SST 316 SST
19	Below F9340EM F9900SD	1	Bracket (L type) 304 SST 316 SST
20	Below F9340PA F9340PB F9340PC F9340PD F9340PE F9340PF	1	Manifold Assembly (Note 1) Orifice Bore : 0.508 mm Orifice Bore : 0.864 mm Orifice Bore : 1.511 mm Orifice Bore : 2.527 mm Orifice Bore : 4.039 mm Orifice Bore : 6.350 mm
21	F9275ZT	1	Spacer, 316 SST (Note 1)
22	Below F9340NL F9340NM F9340NN F9340NP F9340NQ F9340NR	1	Orifice, 316 SST (Note 1) Orifice Bore : 0.508 mm Orifice Bore : 0.864 mm Orifice Bore : 1.511 mm Orifice Bore : 2.527 mm Orifice Bore : 4.039 mm Orifice Bore : 6.350 mm
23	F9273HC	1	Gasket, PTFE Teflon (Note 1)
24	F9275ZR	1	Manifold, F316 SST (Note 1)
25	F9900BS	4	Bolt, 316L SST (ISO A4-70)
26	Below F9275EC F9275ED	2	Vent plug (degreased), 316 SST R 1/4 1/4 NPT
27	F9275EE	2	Needle assembly (degreased), 316 SST

(Note 1) In case of degrease cleansing treatment (Option code /K1, /K2, /K5, or /K6), consult Yokogawa local office.