

Combiprobe CP100 COMBINED PROBES

COMBINED MEASUREMENT OF DUST CONCENTRATIONS,
VOLUME FLOW, PRESSURE AND TEMPERATURE

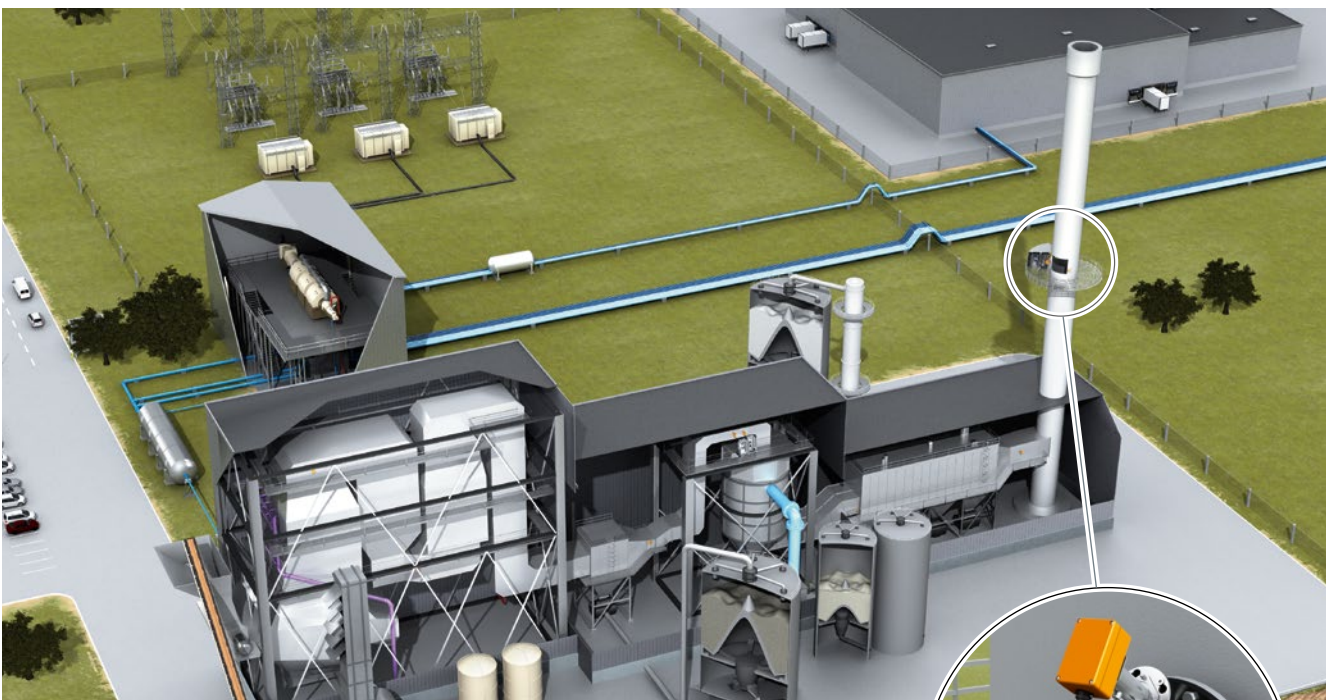
Analyzer solutions

SICK
Sensor Intelligence.

SPACE-SAVING MEASUREMENT OF DUST, VOLUME FLOW, PRESSURE, AND TEMPERATURE

In industrial facilities such as power plants or waste treatment plants, pollutants HCl, HF, CO, NO_x, SO₂, NH₃, dust, and the reference values gas velocity, pressure and temperature are measured continuously.

SICK's Combiprobe CP100 is a space-saving solution for simultaneous measurement of dust, volume flow, pressure and temperature on the stack.



Space-saving emission measurement on the stack

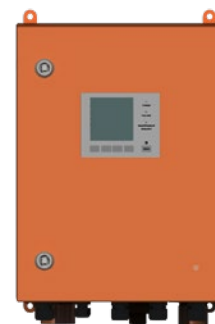
The compact Combiprobe CP100n neatly combines the tried-and-tested DUSTHUNTER SP100 dust measuring device, the FLOWSIC100 PR volume flow measuring device and the PT100 pressure and temperature sensor – all on one combination flange. This renders additional couplings or flanges unnecessary. This space-saving solution really proves its worth when redundant design of the measuring devices is required.

FLAWSIC100 PR volume flow measuring device

The FLOWSIC100's easy-to-handle lance design allows gas velocity and volume flow to be measured based on the principle of ultrasonic time-difference-measurement. Rugged titanium converters ensure a long service life, while reliable functional monitoring keeps operating and maintenance costs to a minimum.

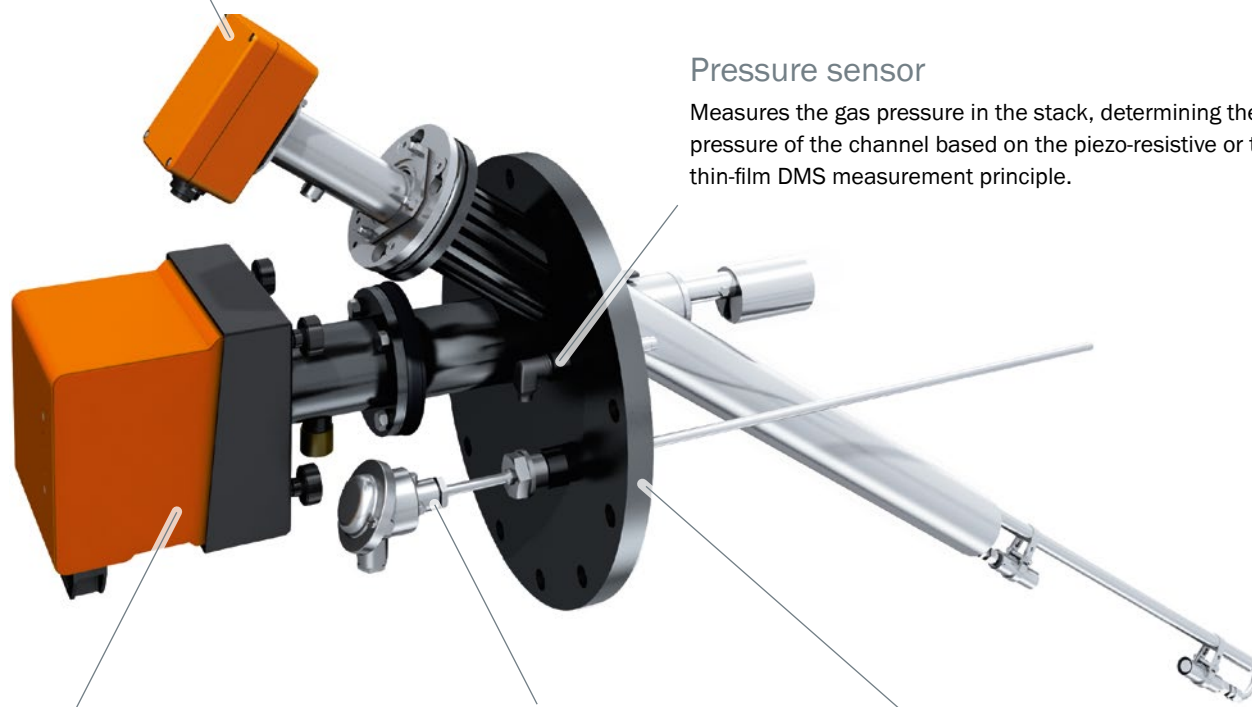
MCU control unit

For control, signal processing and data transmission. Includes a built-in purge air unit to supply purge air to the dust measuring device.



Pressure sensor

Measures the gas pressure in the stack, determining the inner pressure of the channel based on the piezo-resistive or the thin-film DMS measurement principle.



DUSTHUNTER SP100 dust measuring device

The tried-and-tested DUSTHUNTER SP100 measures very low to moderate concentrations of dust. It uses the principle of scattered light measurement to provide very accurate results. Automatic testing of zero point and reference point is built in, as is a soiling check.

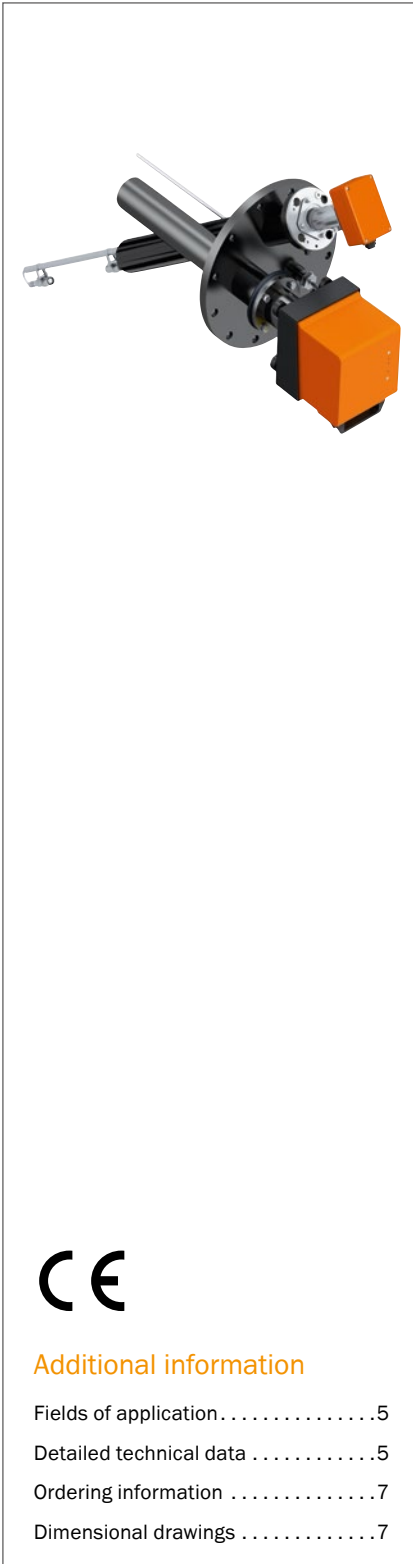
PT100 temperature sensor

Measures the gas temperature using a temperature sensor, which sends the measured values to the control unit as analogue signals of between 4 and 20 mA.

Combination flange

Ensures extremely straightforward mounting of the measurement devices and sensors at the measuring point, using flange DN250 PN6. No other connections or flanges are necessary.

COMBINED MEASUREMENT OF DUST, VOLUME FLOW, PRESSURE, AND TEMPERATURE



Product description

The Combiprobe CP100 is the combination of a DUSTHUNTER SP100 scattered light dust measuring device and a FLOWSIC100 PR volume flow measuring device on a flange plate. The combined probe also features a pressure transmitter and a resistance thermometer.

The Combiprobe CP100 only requires a single mounting opening in the funnel in order to measure the dust concentration, volume flow, pressure and temperature. This means that there is considerably less outlay on installation than if the individual components were to be installed separately.

At a glance

- No need for mechanical adjustment
- Self-testing with the automatic control cycle
- Simple configuration and operation with easy-to-use software
- For gas temperatures up to 200 °C
- For funnels with an internal diameter of 0.7 m and above

Your benefits

- Easy to install complete solution for detecting dust emission and the emission-related benchmarks of volume flow, pressure and temperature
- Low operating costs due to the measuring devices' long maintenance intervals
- Durable and reliable components
- Scattered light dust measuring device and volume flow measuring device that have been performance-tested according to EN 15267



Additional information

Fields of application	5
Detailed technical data	5
Ordering information	7
Dimensional drawings	7

→ www.mysick.com/en/Combiprobe_CP100

For more information, just enter the link and get direct access to technical data, CAD design models, operating instructions, software, application examples and much more.

Fields of application

- Emission monitoring in power stations
- Emission measurement during waste incineration
- Emission measurement within the cement and steel industry
- Process measurement in processing plants within the pharmaceutical, food and animal feed industries
- Monitoring of heat treatment and extraction systems
- Process monitoring within the chemical industry

Detailed technical data

The exact device specifications and performance data of the product may deviate from the information provided here, and depend on the application in which the product is being used and the relevant customer specifications.

Combiprobe CP100 system

Measured values	Dust concentration (after gravimetric comparison measurement), gas velocity, gas pressure, gas temperature								
Maximum number of measurands	4								
Measuring ranges	<table> <tr> <td>Dust concentration</td> <td>0 ... 5 mg/m³ / 0 ... 200 mg/m³</td> </tr> <tr> <td>Gas velocity</td> <td>0 ... ± 40 m/s / 0</td> </tr> <tr> <td>Absolute gas pressure</td> <td>800 ... 1,200 hPa</td> </tr> <tr> <td>Gas temperature</td> <td>-50 ... +400 °C</td> </tr> </table>	Dust concentration	0 ... 5 mg/m ³ / 0 ... 200 mg/m ³	Gas velocity	0 ... ± 40 m/s / 0	Absolute gas pressure	800 ... 1,200 hPa	Gas temperature	-50 ... +400 °C
Dust concentration	0 ... 5 mg/m ³ / 0 ... 200 mg/m ³								
Gas velocity	0 ... ± 40 m/s / 0								
Absolute gas pressure	800 ... 1,200 hPa								
Gas temperature	-50 ... +400 °C								
Response time	DUSTHUNTER SP100: 1 s ... 600 s Freely adjustable FLOWSIC100 PR: 1 s ... 300 s Freely adjustable								
Uncertainty of measurement	Dust concentration: ± 2 % Of measuring range full scale Gas velocity: ± 0.1 m/s Gas pressure: ± 1 % Gas temperature: ≤ ± 0.5 %								
Process temperature	-20 °C ... +200 °C								
Process pressure	-70 hPa ... 10 hPa								
Process gas humidity	Non-condensing								
Duct diameter	≥ 750 mm								
Ambient temperature	-20 °C ... +60 °C Intake temperatures for purge air: -20 °C ... +45 °C								
Electrical safety	CE								
Enclosure rating	DUSTHUNTER SP100: IP 66 FLOWSIC100 PR: IP 65 Pressure sensor, temperature sensor: IP 54								
Dimensions (W x H x D)	See dimensional drawings								
Weight	DUSTHUNTER SP100: 7.8 kg FLOWSIC100 PR: 7.2 kg Pressure sensor: 0.2 kg Temperature sensor: 1.3 kg								
Power supply	<table> <tr> <td>Voltage</td> <td>DUSTHUNTER SP100, FLOWSIC100 PR supply via control unit: 24 Pressure sensor, temperature sensor: 10 ... 30 V DC</td> </tr> <tr> <td>Power consumption</td> <td>DUSTHUNTER SP100, FLOWSIC100 PR: ≤ 70 W Pressure sensor, temperature sensor: ≤ 1 W</td> </tr> </table>	Voltage	DUSTHUNTER SP100, FLOWSIC100 PR supply via control unit: 24 Pressure sensor, temperature sensor: 10 ... 30 V DC	Power consumption	DUSTHUNTER SP100, FLOWSIC100 PR: ≤ 70 W Pressure sensor, temperature sensor: ≤ 1 W				
Voltage	DUSTHUNTER SP100, FLOWSIC100 PR supply via control unit: 24 Pressure sensor, temperature sensor: 10 ... 30 V DC								
Power consumption	DUSTHUNTER SP100, FLOWSIC100 PR: ≤ 70 W Pressure sensor, temperature sensor: ≤ 1 W								

MCU-P control unit

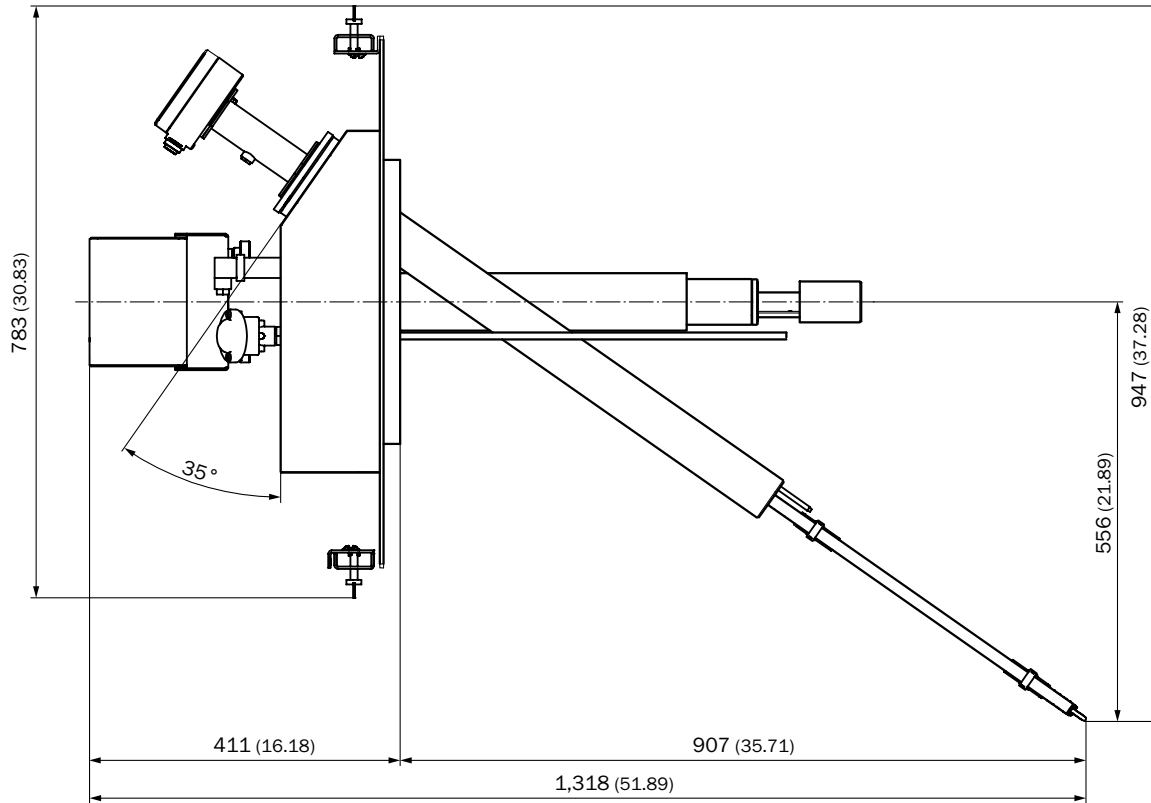
Description	Unit to control the system components and to evaluate and output the data provided by them. With integrated purge air unit.								
Gas flow rate	≤ 20 m³/h								
Ambient temperature	-40 °C ... +45 °C Intake temperatures for purge air								
Enclosure rating	IP 66								
Analog outputs	3 outputs: 0/2/4 ... 20 mA, 750 Ω Electrically isolated; two additional outputs if using I/O modules (option)								
Analog inputs	2 inputs: 0 ... 20 mA Not electrically isolated; two additional inputs if using I/O modules (option)								
Digital outputs	5 relay contacts: 48 V, 1 A Potential-free; for status signals								
Digital inputs	4 potential-free contacts								
Interfaces	USB (service interface) RS-232 (service interface) RS-485 (via optional interface module) Interface module (option)								
Bus protocol	Ethernet TCP/IP (via optional interface module) Modbus (via optional interface module) PROFIBUS DP (via optional interface module)								
Indication	LC display Status LEDs: "Power", "Maintenance" and "Failure"								
Operation	Via LC-display or software SOPAS ET								
Dimensions (W x H x D)	300 mm x 455 mm x 220 mm								
Weight	≤ 13.5 kg								
Power supply	<table border="0"> <tr> <td style="text-align: right;">Voltage</td> <td>90 ... 250 V</td> </tr> <tr> <td></td> <td>Version with 24 V DC available as an option</td> </tr> <tr> <td style="text-align: right;">Frequency</td> <td>47 ... 63 Hz</td> </tr> <tr> <td style="text-align: right;">Power consumption</td> <td>≤ 70 W</td> </tr> </table>	Voltage	90 ... 250 V		Version with 24 V DC available as an option	Frequency	47 ... 63 Hz	Power consumption	≤ 70 W
Voltage	90 ... 250 V								
	Version with 24 V DC available as an option								
Frequency	47 ... 63 Hz								
Power consumption	≤ 70 W								
Auxiliary gas connections	Purge air								
Options	Interface module(s) I/O module(s)								

Ordering information

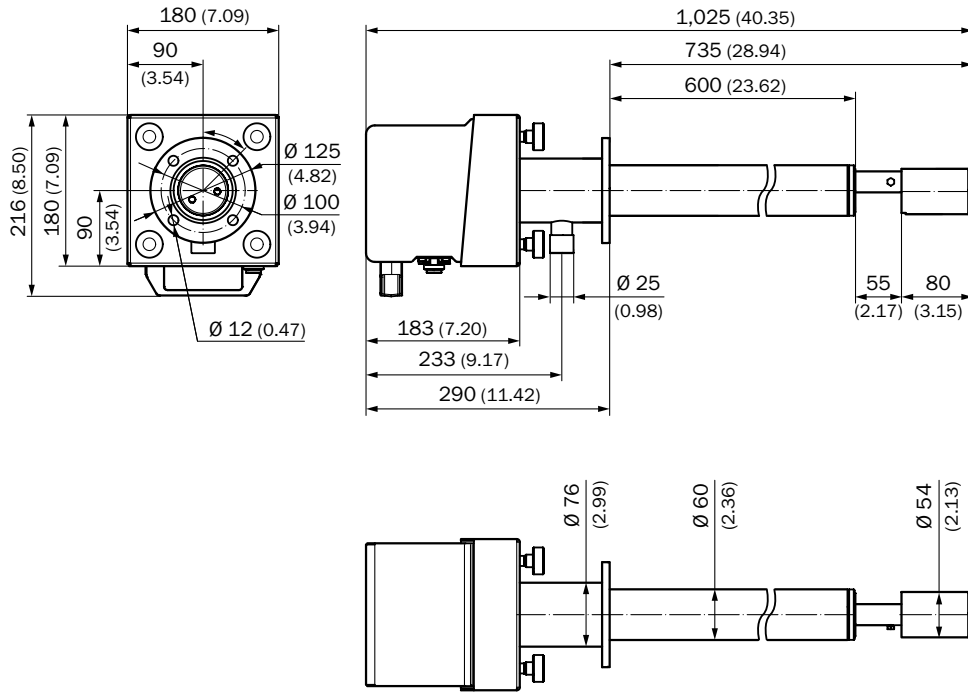
Our regional sales organization will help you to select the optimum device configuration.

Dimensional drawings (Dimensions in mm (inch))

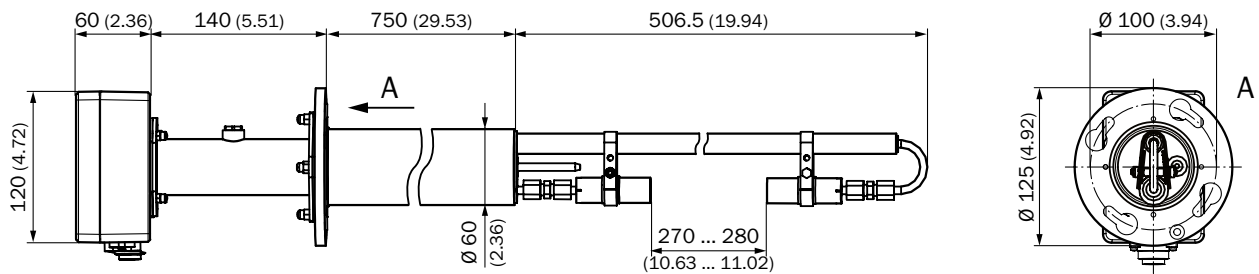
Combiprobe CP100 system



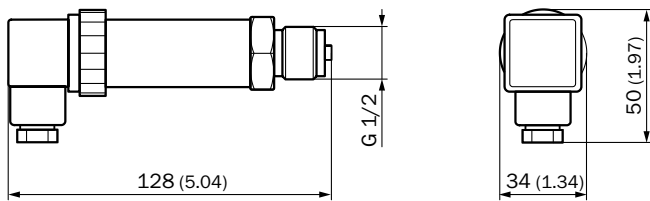
DHSP-T2V2 sender/receiver unit



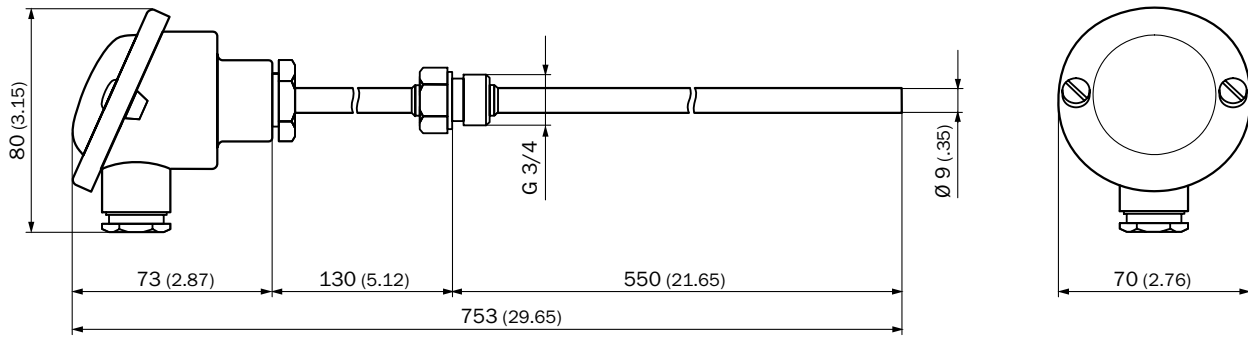
FLSE100-PR sender/receiver unit



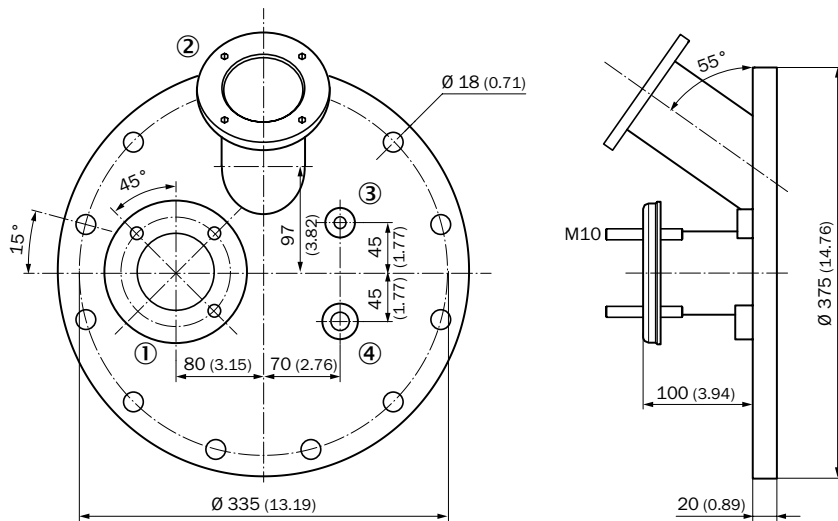
Pressure sensor



Resistance thermometer

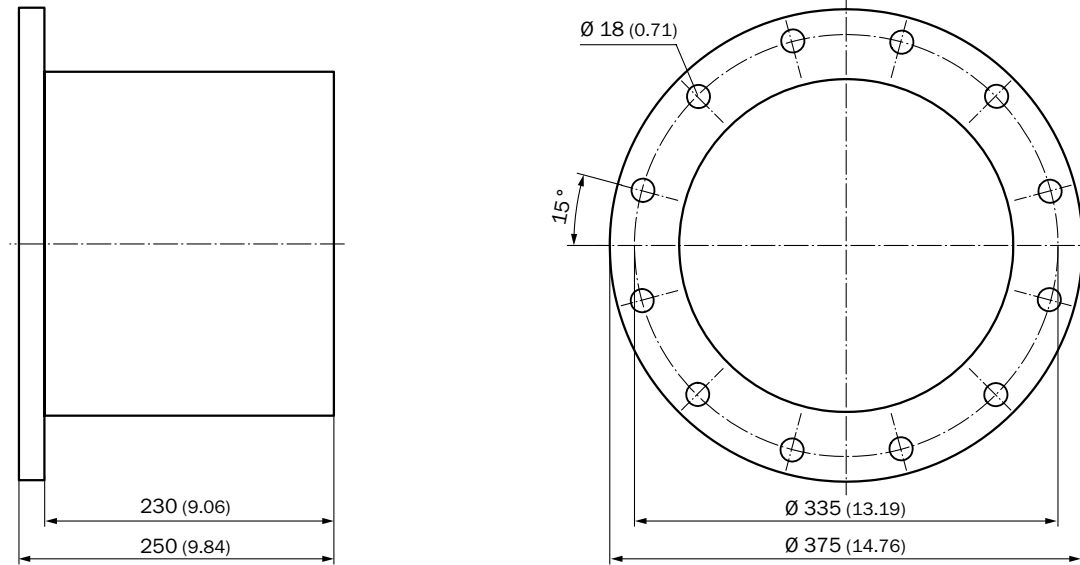


Combined flange system

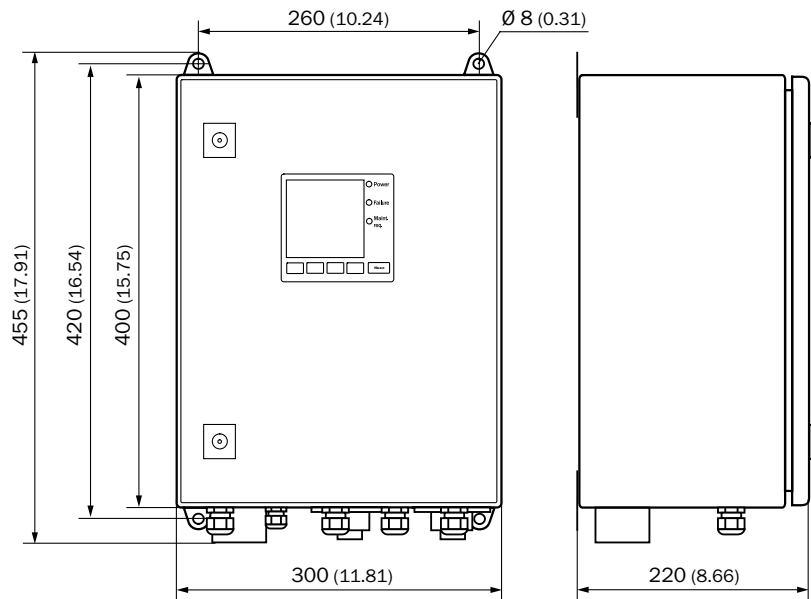


- ① Flange for DHSP-T2V2 sender/receiver unit
- ② Flange for FLSE100-PR sender/receiver unit
- ③ G 1/2 for pressure sensor
- ④ G 3/4 for resistance thermometer

Mounting flange, DN250, PN6



MCU-P control unit; wall-mounting enclosure, compact version (for non-hazardous areas only)



REGISTER AT WWW.SICK.COM TODAY AND ENJOY ALL THE BENEFITS






- ✔ Select products, accessories, documentation and software quickly and easily.
- ✔ Create, save and share personalized wish lists.
- ✔ View the net price and date of delivery for every product.
- ✔ Requests for quotation, ordering and delivery tracking made easy.
- ✔ Overview of all quotations and orders.
- ✔ Direct ordering: submit even very complex orders in moments.
- ✔ View the status of quotations and orders at any time. Receive e-mail notifications of status changes.
- ✔ Easily repeat previous orders.
- ✔ Conveniently export quotations and orders to work with your systems.



SERVICES FOR MACHINES AND SYSTEMS: SICK LifeTime Services

Our comprehensive and versatile LifeTime Services are the perfect addition to the comprehensive range of products from SICK. The services range from product-independent consulting to traditional product services.



- 
Consulting and design
 Safe and professional
- 
Product and system support
 Reliable, fast and on-site
- 
Verification and optimization
 Safe and regularly inspected
- 
Upgrade and retrofits
 Easy, safe and economical
- 
Training and education
 Practical, focused and professional

SICK AT A GLANCE

SICK is a leading manufacturer of intelligent sensors and sensor solutions for industrial applications. With almost 7,000 employees and over 50 subsidiaries and equity investments as well as numerous representative offices worldwide, we are always close to our customers. A unique range of products and services creates the perfect basis for controlling processes securely and efficiently, protecting individuals from accidents and preventing damage to the environment.

We have extensive experience in various industries and understand their processes and requirements. With intelligent sensors, we can deliver exactly what our customers need. In application centers in Europe, Asia and North America, system solutions are tested and optimized in accordance with customer specifications. All this makes us a reliable supplier and development partner.

Comprehensive services round out our offering: SICK LifeTime Services provide support throughout the machine life cycle and ensure safety and productivity.

For us, that is “Sensor Intelligence.”

Worldwide presence:

Australia, Austria, Belgium, Brazil, Canada, Chile, China, Czech Republic, Denmark, Finland, France, Germany, Great Britain, Hungary, India, Israel, Italy, Japan, Malaysia, Mexico, Netherlands, New Zealand, Norway, Poland, Romania, Russia, Singapore, Slovakia, Slovenia, South Africa, South Korea, Spain, Sweden, Switzerland, Taiwan, Thailand, Turkey, United Arab Emirates, USA, Vietnam.

Detailed addresses and additional representatives → www.sick.com