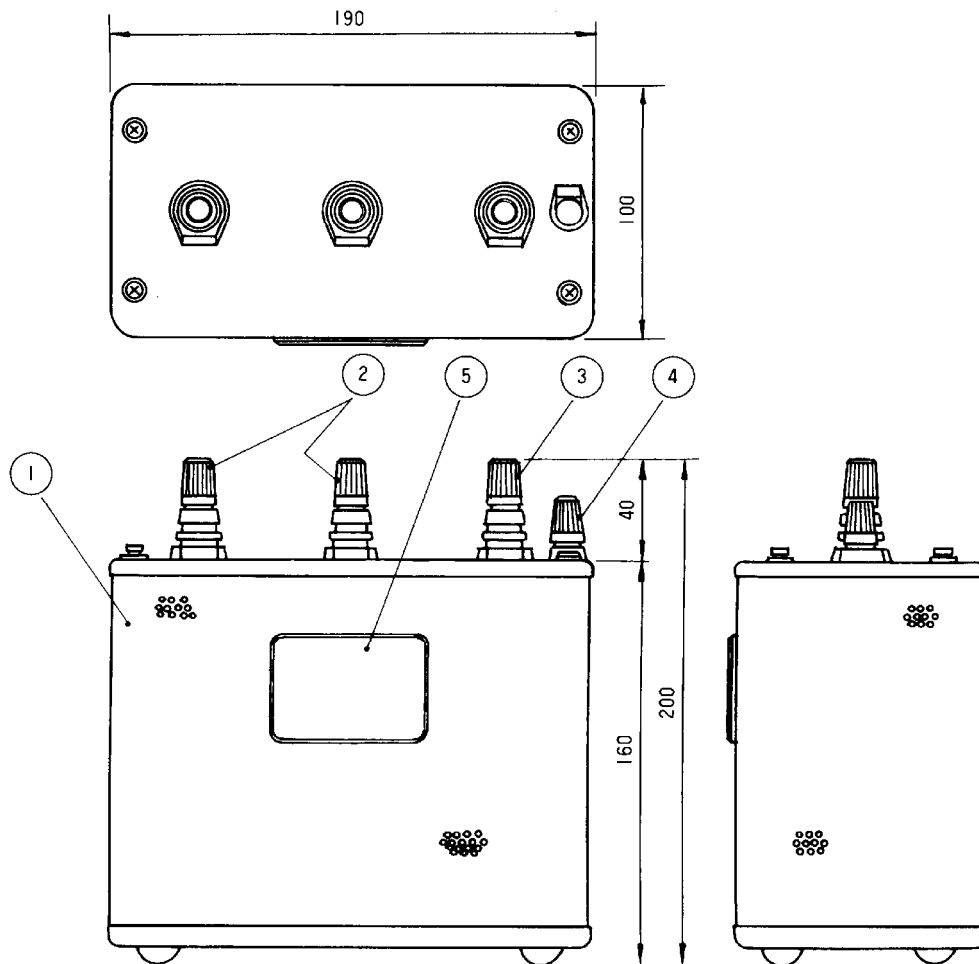


Drawings

2222 External Multiplier

Unit : mm
(approx. inch)



No.	Name
①	Case
②	Terminal
③	Meter Terminal
④	Earth Terminal
⑤	Name Plate

Unless otherwise specified here, all dimensions should be applied tolerance of $\pm 3\%$ ($\pm 0.3\text{mm}$ in case less than 10 mm.).

WEIGHT APPROX. 1.1 kg