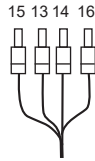


Drawings Model OR8ERG KCI Refillable Type ORP Sensor

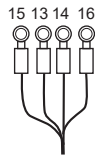
Unit : mm

- For FLXA402,PH202,FLXA202,FLXA21 (OR8ERG - □□ - □□ - E * A)
- For OR100 (OR8ERG - □□ - □□ - B * A)
- For OR200/OR400 (OR8ERG - □□ - □□ - N * A)

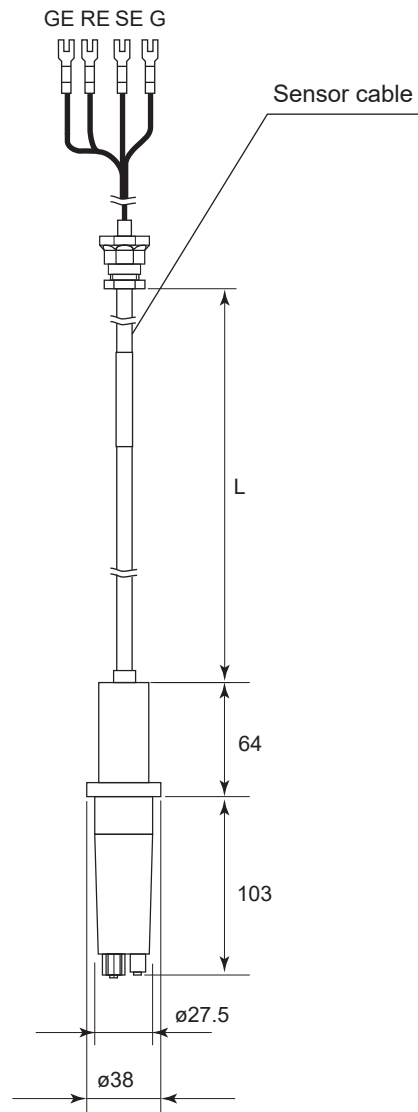


Cable gland is not included.
Reuse existing gland, or replace.

- For FLXA402,PH450G,PH202/TB (OR8ERG - □□ - □□ - G * A)
- For FLXA202,FLXA21 (OR8ERG - □□ - □□ - F * A)



Cable gland is not included.
Reuse existing gland, or replace.



Model and code	L	Weight (kg)
OR8ERG - □□ - 03 - □ * A	Approx. 3000	Approx. 0.4
OR8ERG - □□ - 05 - □ * A	Approx. 5000	Approx. 0.6
OR8ERG - □□ - 07 - □ * A	Approx. 7000	Approx. 0.7
OR8ERG - □□ - 10 - □ * A	Approx. 10000	Approx. 1.0
OR8ERG - □□ - 15 - □ * A	Approx. 15000	Approx. 1.4
OR8ERG - □□ - 20 - □ * A	Approx. 20000	Approx. 1.8

Unless otherwise specified, differences in the dimensions are specified as: General tolerance = ± (Criteria of tolerance class it18 in JIS B0401-1986) / 2.