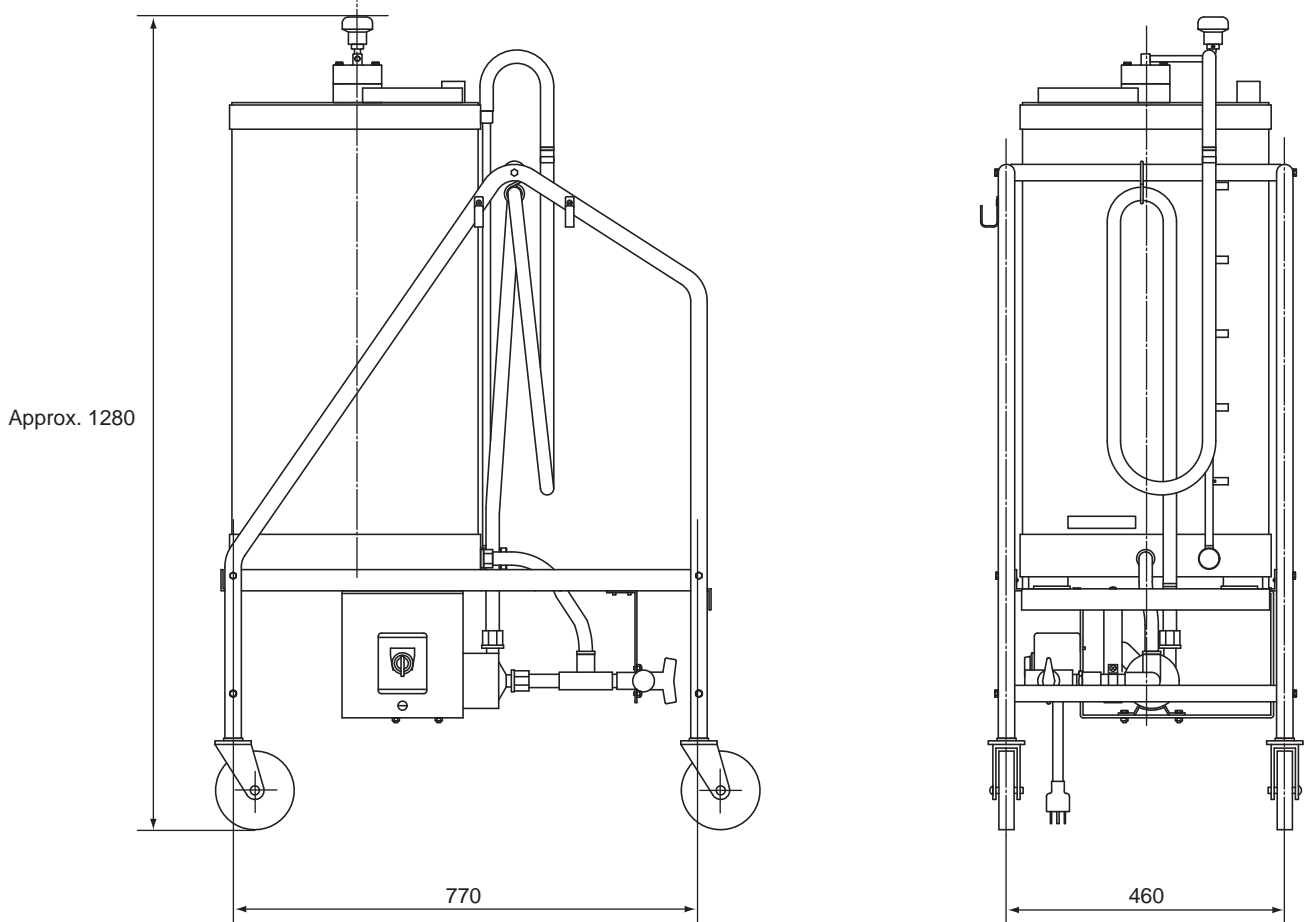


Drawings

Residual Chlorine Analyzer RC401G-C Reagent Preparation Tank

EXA RC

Unit : mm



Weight: Approx. 40 kg

Unless otherwise specified, differences in the dimensions are specified as : General tolerance= \pm (Criteria of tolerance class IT18 in JIS B0401-1986)/2.