

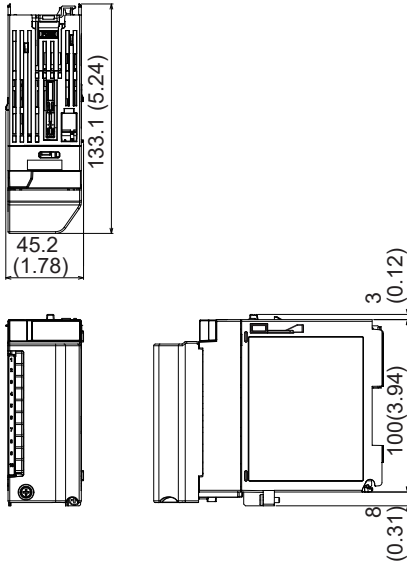
SD 04L53B01-01EN

Unit: mm
(approx. inch)

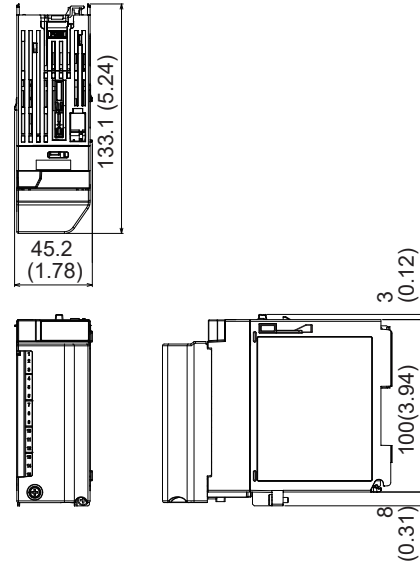
External Dimensions

(Type: Universal, Low withstand voltage relay, Electromagnetic relay, DC current input, 4-wire RTD/resistance)

M3 screw terminals

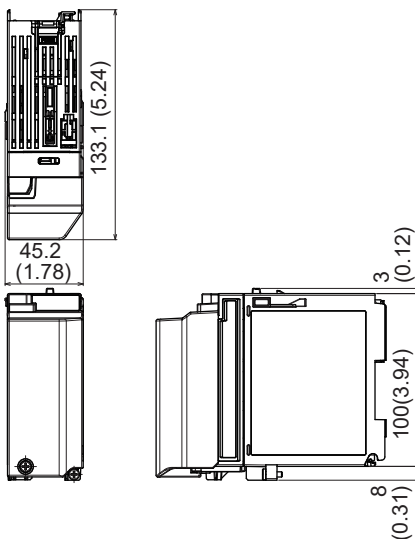


Clamp terminals

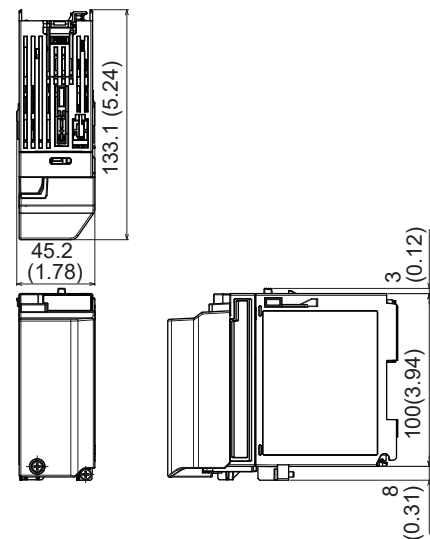


External Dimensions (Type: High speed universal, High withstand voltage)

M3 screw terminals



Clamp terminals



Arrangement of the Terminals

(Type: Universal, Low withstand voltage relay, Electromagnetic relay, DC current input, High withstand voltage)

M3 screw terminals

No.	Symbol	No.	Symbol	No.	Symbol
301	CH1(/b)*	201	CH1(-/B)	101	CH1(+/A)
302	CH2(/b)*	202	CH2(-/B)	102	CH2(+/A)
303	CH3(/b)*	203	CH3(-/B)	103	CH3(+/A)
304	CH4(/b)*	204	CH4(-/B)	104	CH4(+/A)
305	CH5(/b)*	205	CH5(-/B)	105	CH5(+/A)
306	CH6(/b)*	206	CH6(-/B)	106	CH6(+/A)
307	CH7(/b)*	207	CH7(-/B)	107	CH7(+/A)
308	CH8(/b)*	208	CH8(-/B)	108	CH8(+/A)
309	CH9(/b)*	209	CH9(-/B)	109	CH9(+/A)
310	CH10(/b)*	210	CH10(-/B)	110	CH10(+/A)

Clamp terminals

No.	Symbol	No.	Symbol
201	CH2(+/A)	101	CH1(+/A)
202	CH2(-/B)	102	CH1(-/B)
203	CH2(/b)*	103	CH1(/b)*
204	CH4(+/A)	104	CH3(+/A)
205	CH4(-/B)	105	CH3(-/B)
206	CH4(/b)*	106	CH3(/b)*
207	CH6(+/A)	107	CH5(+/A)
208	CH6(-/B)	108	CH5(-/B)
209	CH6(/b)*	109	CH5(/b)*
210	CH8(+/A)	110	CH7(+/A)
211	CH8(-/B)	111	CH7(-/B)
212	CH8(/b)*	112	CH7(/b)*
213	CH10(+/A)	113	CH9(+/A)
214	CH10(-/B)	114	CH9(-/B)
215	CH10(/b)*	115	CH9(/b)*

There are no symbol indications for the electromagnetic relay type, current (mA) input type, low withstand voltage relay type or high withstand voltage type.

* RTD input terminal b is shorted internally across all channels.

Arrangement of the Terminals (Type: 4-wire RTD/resistance)

M3 screw terminals

No.	Symbol	No.	Symbol	No.	Symbol
301	CH1(B)	201	CH1(A)	101	CH1(I)
302	CH1(C)	202	Not Used	102	CH2(C)
303	CH2(B)	203	CH2(A)	103	CH2(I)
304	CH3(B)	204	CH3(A)	104	CH3(I)
305	CH3(C)	205	Not Used	105	CH4(C)
306	CH4(B)	206	CH4(A)	106	CH4(I)
307	CH5(B)	207	CH5(A)	107	CH5(I)
308	CH5(C)	208	Not Used	108	CH6(C)
309	CH6(B)	209	CH6(A)	109	CH6(I)
310	Not Used	210	Not Used	110	Not Used

Clamp terminals

No.	Symbol	No.	Symbol
201	CH2(I)	101	CH1(I)
202	CH2(A)	102	CH1(A)
203	CH2(B)	103	CH1(B)
204	CH2(C)	104	CH1(C)
205	Not Used	105	Not Used
206	CH4(I)	106	CH3(I)
207	CH4(A)	107	CH3(A)
208	CH4(B)	108	CH3(B)
209	CH4(C)	109	CH3(C)
210	Not Used	110	Not Used
211	CH6(I)	111	CH5(I)
212	CH6(A)	112	CH5(A)
213	CH6(B)	113	CH5(B)
214	CH6(C)	114	CH5(C)
215	Not Used	115	Not Used

Arrangement of the Terminals (Type: High speed universal)

M3 screw terminals

No.	Symbol	No.	Symbol	No.	Symbol
301	CH1(/A)	201	CH1(-/b)	101	CH1(+/B)
304	CH2(/A)	204	CH2(-/b)	104	CH2(+/B)
307	CH3(/A)	207	CH3(-/b)	107	CH3(+/B)
310	CH4(/A)	210	CH4(-/b)	110	CH4(+/B)

Clamp terminals

No.	Symbol	No.	Symbol
201	CH1(+/B)	101	Not Used
202	CH1(-/b)	102	Not Used
203	CH1(/A)	103	Not Used
204	Not Used	104	Not Used
205	CH2(+/B)	105	Not Used
206	CH2(-/b)	106	Not Used
207	CH2(/A)	107	Not Used
208	Not Used	108	Not Used
209	CH3(+/B)	109	Not Used
210	CH3(-/b)	110	Not Used
211	CH3(/A)	111	Not Used
212	Not Used	112	Not Used
213	CH4(+/B)	113	Not Used
214	CH4(-/b)	114	Not Used
215	CH4(/A)	115	Not Used