

FEATURES

- Converts analog input control signals to coil current of a proportional solenoid valve by means of pulse width modulation
- Switch-off function at less than 2% of the maximum control signal
- Adjustable ramp control
- Output coil current independent of coil resistance (temperature) and supply voltage variations
- Min. and max. output coil current adjustable to required input control signal
- The electronic circuit is integrated in a housing connectable to a 3-terminal spade plug coil connector according to ISO 4400/ EN 175301-803, form A, DIN 43650, 11 mm, industry standard B or DIN 43650, 9,4 mm, industry standard B

GENERAL

Nominal voltage 24 V DC
Maximum current 1100 mA

CONSTRUCTION

Housing PA
Cover PA
Screw Zinc plated steel
Seals NBR

ELECTRICAL CHARACTERISTICS

Connector Spade plug (cable Ø 6-10 mm)
Connector specification ISO 4400 / EN 175301-803, form A ⁽²⁾
Valve connection With 3 terminal plug connection
Control unit: E908A001 ISO 4400 / EN 175301-803, form A
Control unit: E908A003 DIN 43650, 11 mm, industry standard B
Control unit: E908A004 DIN 43650, 9,4 mm, industry standard B (assembled to 200 mm cable)

Electrical safety IEC 335
Electrical enclosure protection IP65 (EN 60529)
Supply voltage DC (=) : 24V ±10 % (U_N), max. ripple 10%

prefix option	max. full load current (I _{FL}) (mA)	input control signal (selectable)			power consumption (electronics) (W)	unit ambient temperature range ⁽²⁾ (C°)	type ⁽¹⁾
		U _c = (V)	I _{CX} (mA)	I _C (mA)			
-	1100	0 - 10	0 - 20	4 - 20	0,8	-10 to +75	01 - 02

Switch-off current < 2 % of max. input control signal
Adjustable offset Upwm 15 - 50 % E.D.
Adjustable full load Upwm 30 - 100 % E.D.
Ramp time Selectable on/off, adjustable 0,1 - 3 sec.
Adjustable switch frequency 40 - 700 Hz

SPECIFICATIONS

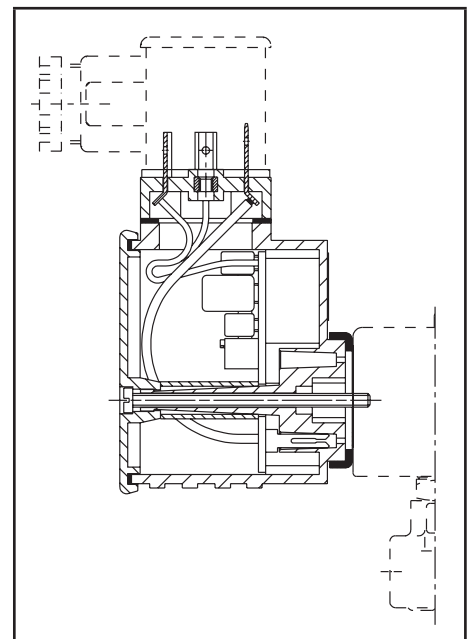
recommended for proportional valve types	type	catalogue number
202A001V to 202A087V 203B001V and 203B002V	01	E908A001
202A201V to 202A208V	02	E908A003
202A101V to 202A104V 202A105V to 202B108V	01	E908A004

⁽¹⁾ Refer to the dimensional drawings on the following page.

⁽²⁾ The connector is supplied with each control unit. Do not use the standard connector mounted on the POSIFLOW solenoid valves.

PROPORTIONAL VALVES SUITABLE FOR CONTROL APPLICATIONS

description	series	illustration	catalogue page
3-port proportional valve for pressure control	602		see " Proportional Technology " on: www.asco.com
Posiflow proportional solenoid valves	202 203		See " Proportional Technology " on: www.asco.com



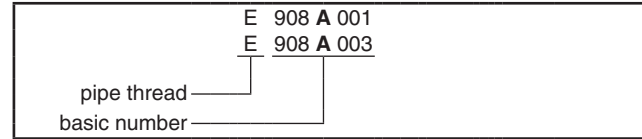
OPTIONS

- ASCO can offer any adaption or modification to the control unit to meet special requests from the users' field

INSTALLATION

- The control unit can be mounted in any position without affecting operation
- The connector to ISO 4400 / EN 175301-803, form A, is supplied with each unit
- Catalogue number E908A004: The 4-terminal connector to ISO 4400 / EN 175301-803, form A, is supplied with each unit. The outlet to the solenoid valve is fitted with a 200 mm long cable with a connector to DIN 43650, 9,4 mm, industry standard B
- Installation and maintenance instructions are included with each control unit

ORDERING EXAMPLES:

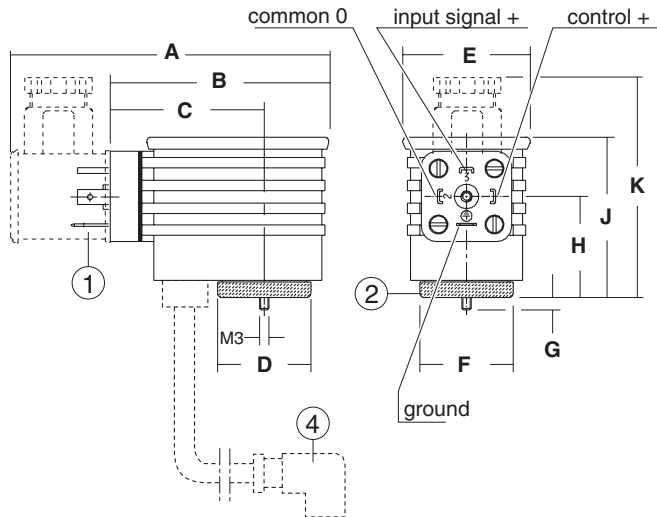


DIMENSIONS (mm), WEIGHT (kg)



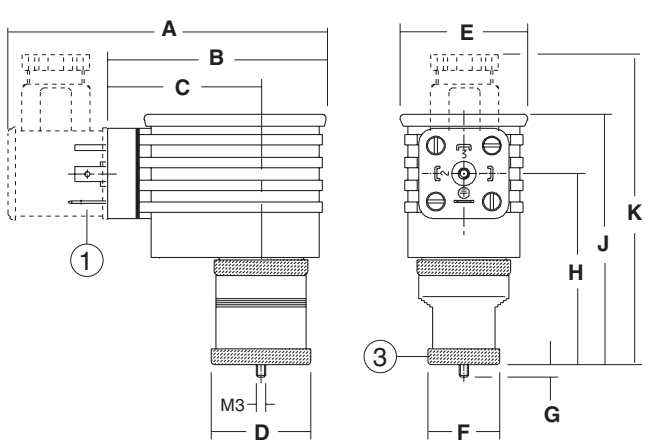
TYPE 01
 POSIFLOW control unit
 IEC 335 / ISO 4400
 IP65

E908A001 - E908A004



TYPE 02
 POSIFLOW control unit
 IEC 335 / ISO 4400
 IP65

E908A003



type	catalogue number	A	B	C	D	E	F	G	H	J	K	weight ⁽¹⁾
01	E908A001/004	98	70	48	30	41	30	4	32	51,5	70	0,1
02	E908A003	98	70	48	32	41	23	4	61	80	98	0,1

⁽¹⁾Weight without connector.

- ① Supply, 4 terminals, ISO 4400/EN 175301-803, form A
Solenoid valve connection:
- ② 3 terminals, ISO 4400/EN 175301-803, form A
- ③ 3 terminals, DIN 43650, 11 mm, industry standard B
- ④ 3 terminals, DIN 43650, 9,4 mm, industry standard B

VOLTAGE-CURRENT / TIME DIAGRAM

