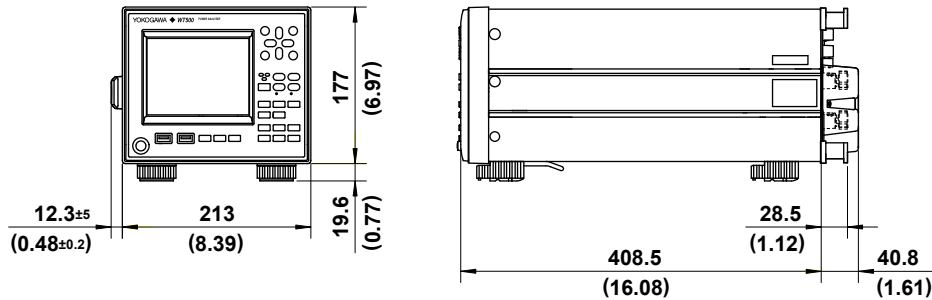


Drawings

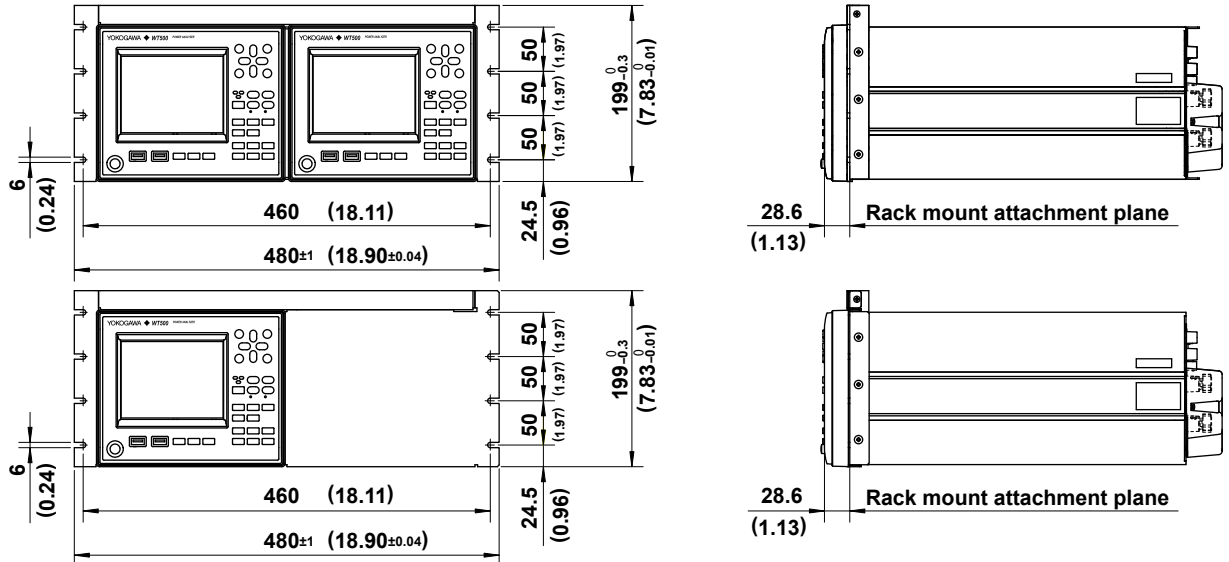
MODEL 760201 WT500 Power Analyzer

WT500

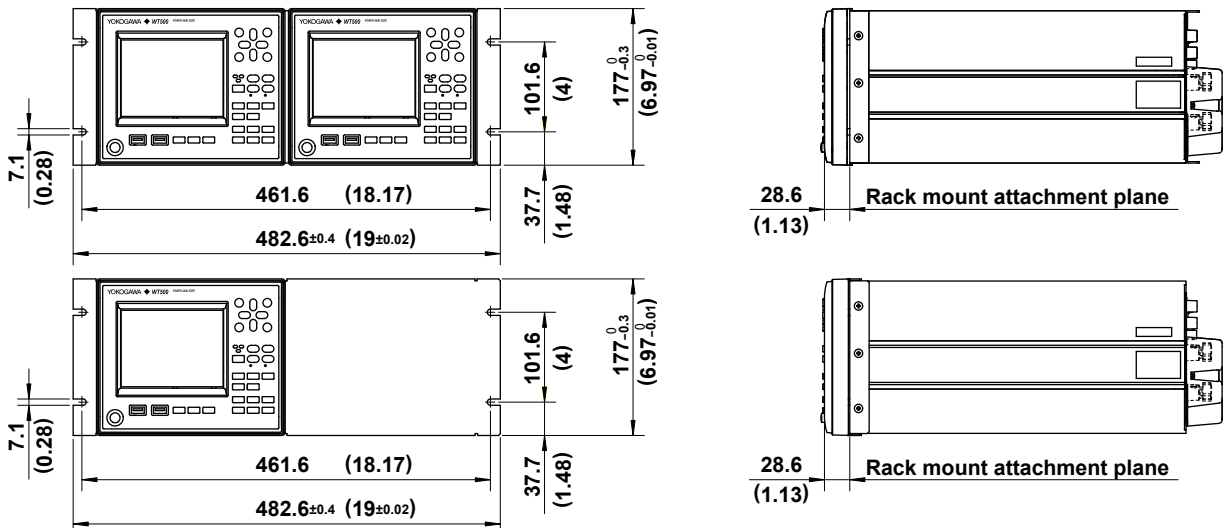
Unit : mm
(approx. inch)



● Dimensions with the JIS rack mount kit



● Dimensions with the EIA rack mount kit



Note: 1. Be sure to support the instrument from the bottom.
2. Provide a clearance of at least 80mm around the instrument for ventilation.

If not specified, the tolerance is $\pm 3\%$. However, in cases of less than 10 mm, the tolerance is ± 0.3 mm.