

OPERATING INSTRUCTIONS

Modular I/O System
Analog and Digital
Interface Modules



- Installation
- Operation
- Maintenance



Document Information

Document ID

Title: Operating Instructions Modular I/O System
Part No.: 8011913
Version: 1.1
Release: 2012-08

Product

Product name: Modular I/O System

Manufacturer

SICK AG
Erwin-Sick-Str. 1 · 79183 Waldkirch · Germany
Phone: +49 7641 469-0
Fax: +49 7641 469-1149
E-mail: info.pa@sick.de

Original Documents

The English edition 8011913 of this document is an original document of SICK AG.

SICK AG assumes no liability for the correctness of an unauthorized translation.

Please contact the manufacturer or your local representative in case of doubt.

Legal information

Subject to change without notice.

© SICK AG. All rights reserved.

Warning Symbols



Hazard (general)



Hazard by voltage

Warning Levels / Signal Words

HAZARD

Risk or hazardous situation which *will* result in severe personal injury or death.

WARNING

Risk or hazardous situation which *could* result in severe personal injury or death.

CAUTION

Hazard or unsafe practice which *could* result in less severe or minor injuries *and/or* property damage.

NOTICE

Hazard which *could* result in property damage.

Information Symbols



Important technical information for this device



Important information on electric or electronic functions



Nice to know



Supplementary information



Link to information at another place

| | | |
|----------|---|----|
| 1 | Description | 5 |
| 1.1 | Overview | 6 |
| 1.1.1 | Single components | 6 |
| 1.1.2 | I/O Modules..... | 7 |
| 2 | Assembly | 9 |
| 2.1 | Assembly..... | 10 |
| 3 | Configuration | 13 |
| 3.1 | Configuration | 14 |
| 3.1.1 | Overview of single components | 14 |
| 3.1.1.1 | Maximum configuration of the I/O modules | 14 |
| 3.2 | Connecting the CAN bus | 15 |
| 3.2.1 | CAN bus gateway | 16 |
| 3.2.1.1 | Setting the CAN bus address..... | 18 |
| 3.2.1.2 | Setting the CAN bus termination | 19 |
| 3.2.2 | Power supply unit..... | 20 |
| 3.2.3 | Connections of analog and digital I/O modules | 20 |
| 3.2.3.1 | Status indicator of I/O modules..... | 21 |
| 4 | Technical Data | 23 |
| 4.1 | Technical Data | 24 |
| 4.1.1 | Analog input modules, analog output modules and digital input modules | 24 |
| 4.1.2 | Data for digital output modules | 24 |
| 4.1.3 | CAN bus gateway | 25 |
| 4.1.4 | Power supply unit..... | 25 |
| 4.1.5 | CAN bus | 25 |
| 4.1.6 | Spare parts Part Nos. for I/O modules | 26 |
| 4.1.7 | Dimensions of I/O modules..... | 27 |

Modular I/O System

1 Description

Overview
Assembly
Connections
Technical Data

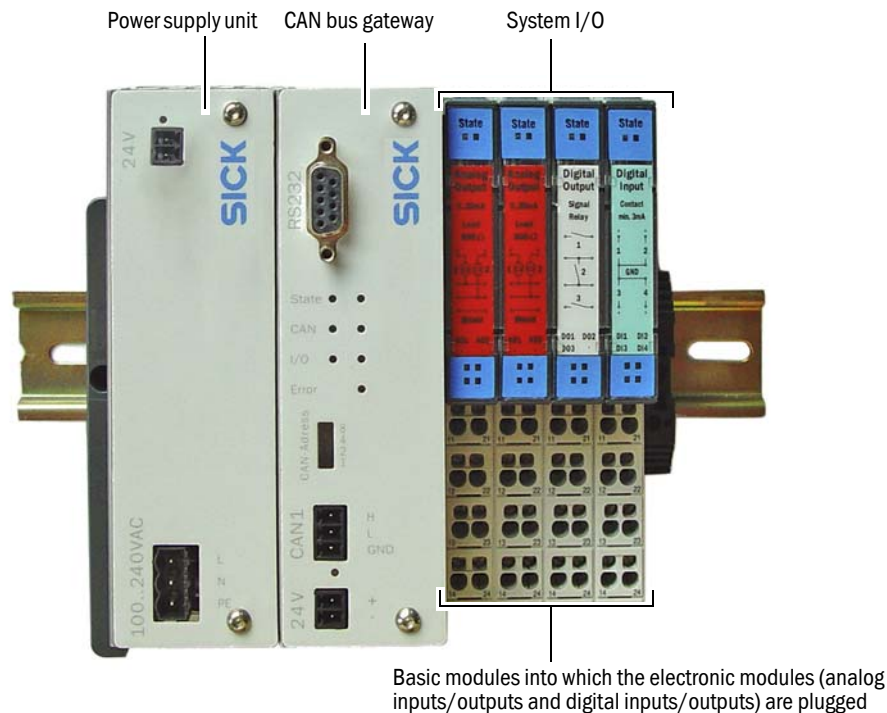
1.1 Overview

The modular I/O system serves for the input and output of analog and digital signals. It can be used as single component or as extension for the SCU (System Control Unit).



Connection or control of the I/O module with the SCU (System Control Unit) → “Operating Instructions SCU-P100”

Fig. 1 Modular I/O system (example)



1.1.1 Single components

- Modular I/O system
 - Contains different I/O modules such as analog inputs/outputs, digital inputs/outputs
 - Communicates with the CAN bus gateway via an internal module bus
 - Independent of higher level field bus
 - No address setting required
 - Type-specific color coding
 - Mechanic coding ensures the assignment of the I/O modules and the basic modules in groups. This prevents incorrect module insertion, for example when modules are replaced. → page 11, Fig. 5
- Basic modules:
 - Serve to connect the field wiring
 - Terminal strip; production units equipped with tension spring connection

1.1.2

I/O Modules

| I/O modules | |
|----------------|-------------------------------------|
| Analog output | 2 channels, 0/4 ... 22 mA |
| Analog input | 2 channels, 0/4 ... 22 mA |
| Digital output | 3, 4 relays, make-contact |
| Digital output | 2 relays, changeover contact |
| Digital input | 4 channels, potential-free contacts |

Modular I/O System

2 Assembly

Assembly

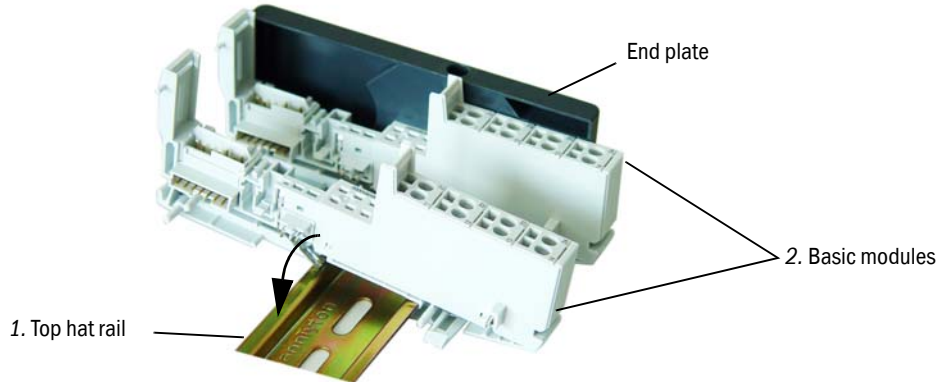
2.1

Assembly

- 1 Provide a top hat rail for assembling the modules.
- 2 Install the end bracket and attach it to the screw.
- 3 Install one basic module after the other on the rail.

Fig. 2

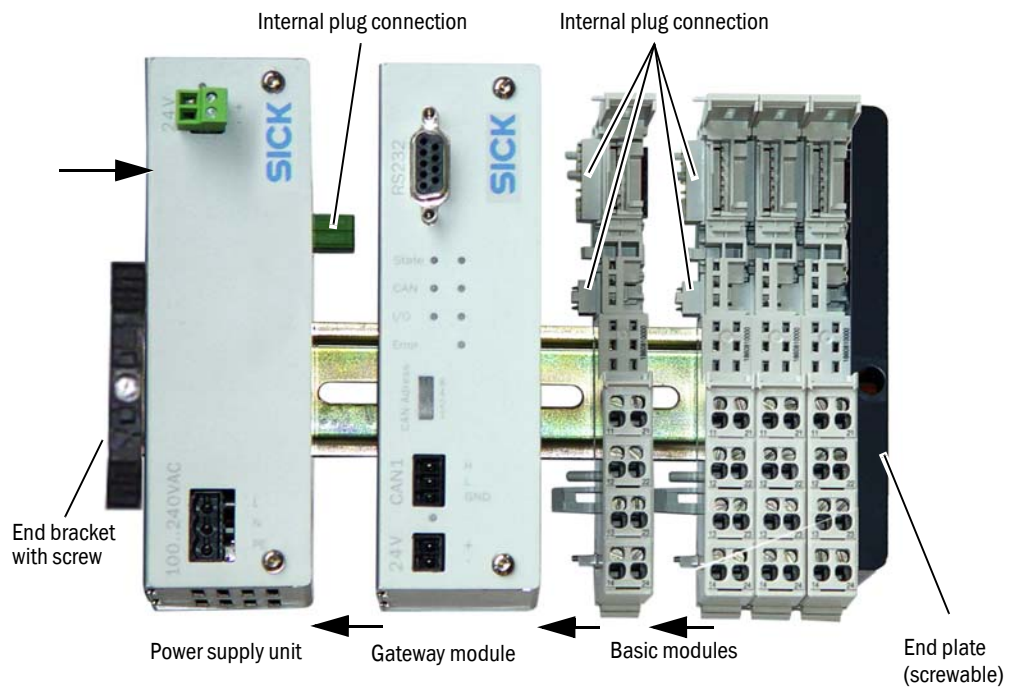
Installation of basic modules



- 4 Install further subassemblies, for example, a power supply unit and a CAN bus gateway and push them together.
- 5 Firmly press the subassemblies together and screw them to the end plates. Ensure that the internal plug-in connectors match correctly.

Fig. 3

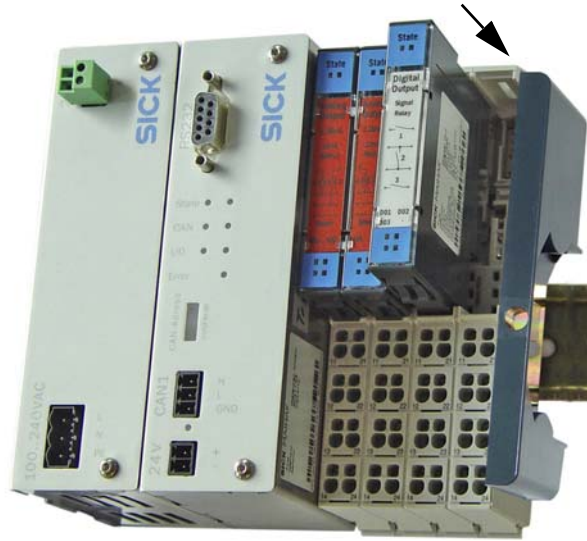
Assembly of the I/O modules on the CAN gateway as single components



6 Plug the respective I/O modules onto the basic modules.

Fig. 4

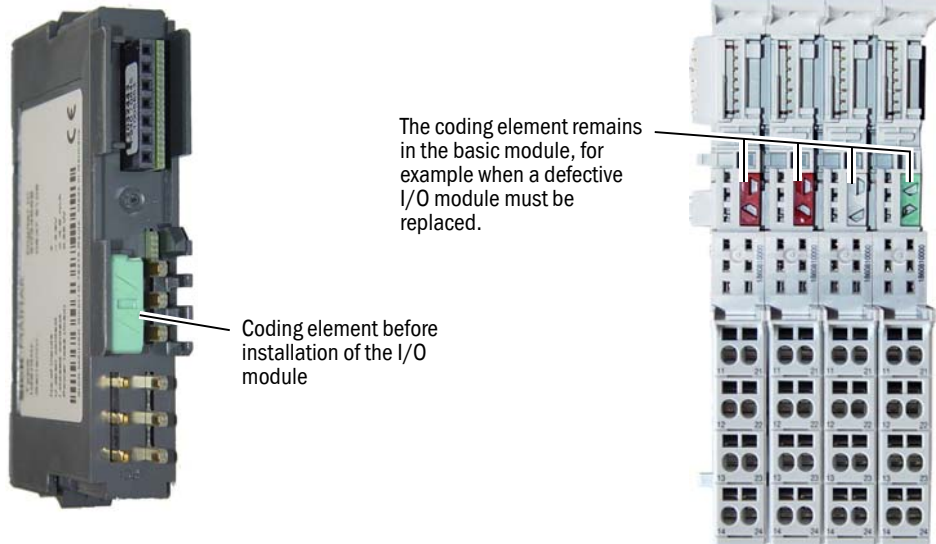
Insertion of the I/O modules



The basic modules are mechanically coded when I/O modules are plugged, i.e. a coding element remains in the basic module. This prevents mistakes when replacing a defective module.

Fig. 5

Mechanical coding of I/O modules



Modular I/O System

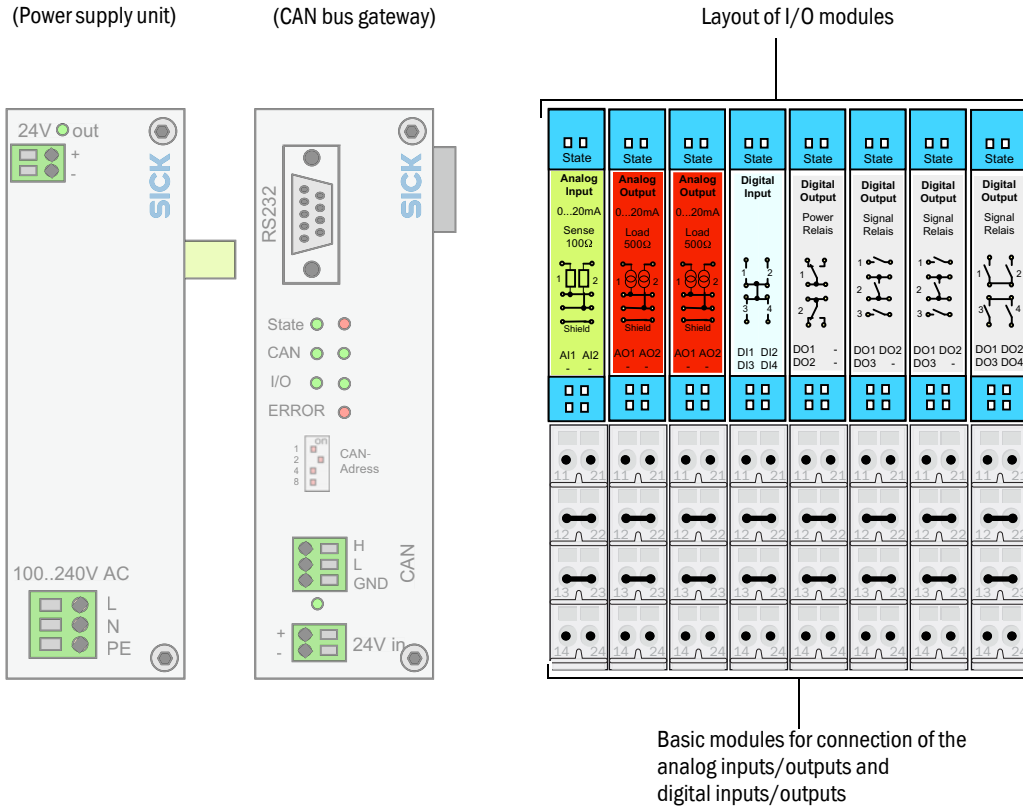
3 Configuration


Configuration


3.1 Configuration

3.1.1 Overview of single components

Fig. 6 Layout of I/O modules (example)



 Always use lines that are shielded and twisted in pairs!
 Establish area contact of the cable shields (e.g. via suitable PGs).
 Always switch off the energy supply before exchanging modules;
 no hot plug-in.

 The wiring of the power supply unit and CAN bus gateway module components is described individually in the SCU-P100 Operating Instructions.

3.1.1.1 Maximum configuration of the I/O modules

- When using the Gateway module and 15 W power supply unit:
- ▶ Up to 13 modules of any type can be installed.

If more than 13 modules are to be installed, check whether the output of the power supply unit is adequate or whether a different power supply unit is to be used!

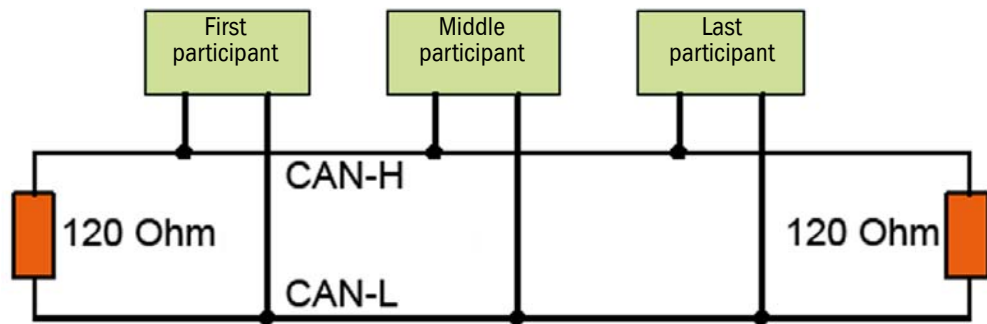
3.2 Connecting the CAN bus

The CAN bus is a 2-wire bus system to which all bus participants are connected parallel (i.e. with short stub lines).

- Each end of the CAN bus must be closed off with a $120 \pm 10\%$ Ohm terminating resistor (prevents reflections).
This is also required for very short line lengths.

Fig. 7

CAN bus principle



Terminating resistors must be activated for first and last bus participants.

The terminating resistor must be deactivated for middle bus participants.

- ▶ Activating or deactivating terminating resistors → Operating Instructions of bus participants.
 - ▶ For SICK gateway → page 19, §3.2.1.2.

Stub lines lead to reflections on the bus, therefore:

- ▶ Avoid stub lines whenever possible, otherwise limit these to max. 10 m.

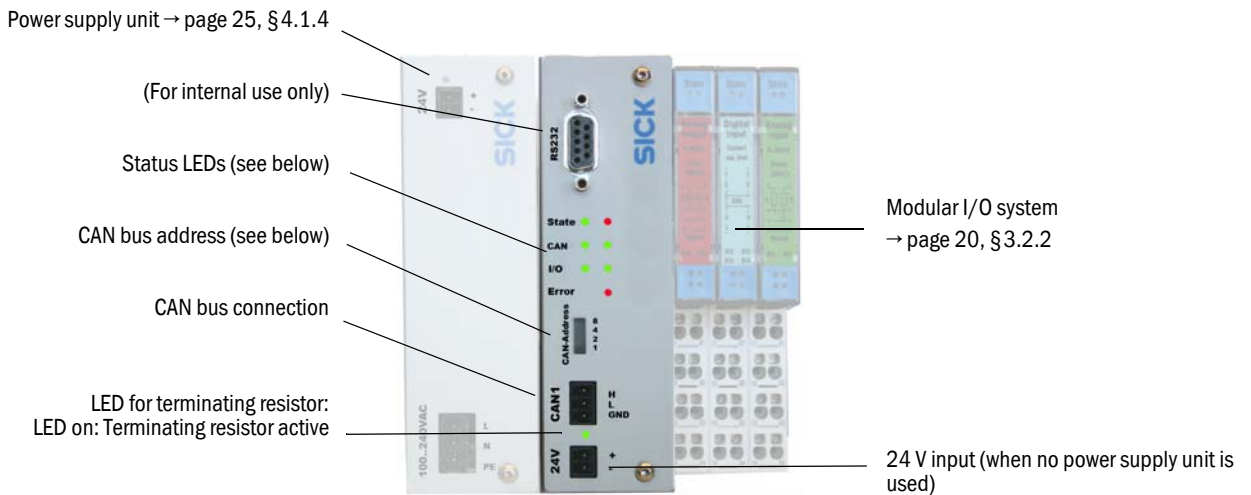
CAN wiring:

- ▶ Maximum length of the CAN bus: 1000 m
- ▶ Cable twisted in pairs and shielded
 - Surge impedance: 120 Ohm
 - Capacity: ≤ 60 pF/m.

Connect the shield across the complete bus and only ground galvanically at one location (prevents ground loops).

3.2.1 CAN bus gateway

Fig. 8 CAN bus gateway



The CAN bus gateway provides a remote modular I/O system and integrates the connection line from the SCU (→ page 10, § 2.1).

Maximum distance between SCU and CAN bus gateway: 1000 m.

The modular I/O system (→ page 6, § 1.1) is directly plugged into the CAN bus gateway (→ page 10, § 2.1). The CAN bus gateway automatically recognizes the position and function of the connected I/O modules.

Status LEDs significance

- State
 - Left LED blinks *green*: Normal operation.
 - Right LED lights *red*: Error in gateway.
An error message is displayed on the screen.
- CAN
 - Both LEDs blink *green* during data transfer on the system bus.
(*Permanent green light = no communication*)
- I/O
 - Both LEDs blink *green* during data transfer on the internal data bus.
(*Permanent green light = no communication*)
- Error
 - LED lights *red*: Error message from SCU.
An error message is displayed on the console.

Significance of the “CAN address LEDs”

The “CAN address” LEDs indicate the set CAN bus address.

Table 1

Indication of CAN bus address

| LED 8 | LED 4 | LED 2 | LED 1 | Set address |
|-------|-------|-------|-------|-------------|
| Off | Off | Off | Off | 0 |
| Off | Off | Off | On | 1 |
| Off | Off | On | Off | 2 |
| Off | Off | On | On | 3 |
| Off | On | Off | Off | 4 |
| | | | | etc. |
| On | On | On | On | 15 |

When only 1 CAN bus gateway exists: The default address is address “0” (no LED lights).

3.2.1.1

Setting the CAN bus address

- 1 The CAN bus gateway must be disconnected from the mains and be potential-free.
- 2 Unscrew the cover of the CAN bus gateway (2 Allen screws SW 2.0).



Screws and washers fall off easily and may get lost.

- ▶ Use a suitable container to collect the screws and washers.

- 3 Pull the cover off to the front.
- 4 Set the CAN bus address of the gateway on the rotary switch with a small screwdriver.
 - If there is only one gateway on the CAN bus: Address 0.
 - If there are more gateways: Address 1 ... 15

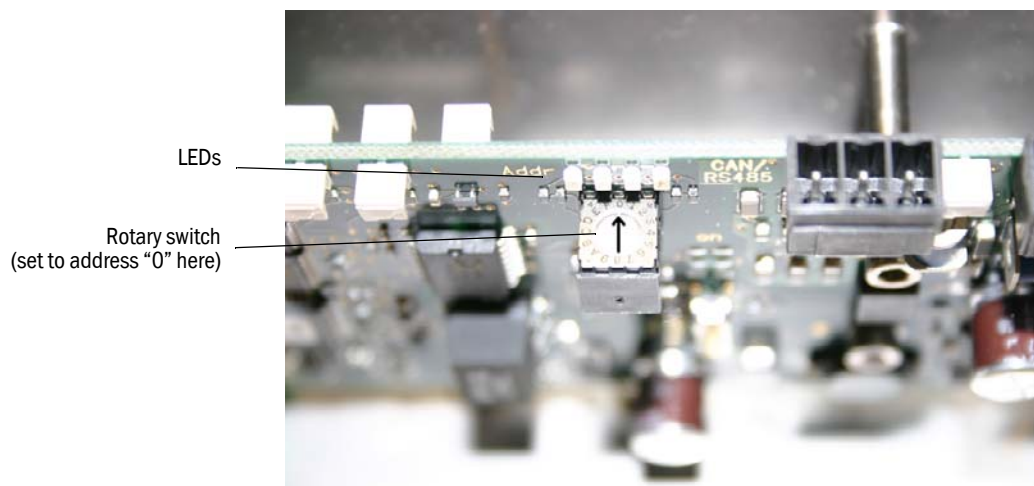
Addresses must be unique (only assign once) (and assigned when setting parameters in the SCU menus).

Recommendation: Assign addresses as consecutive values.

The set address is shown BCD-coded with 4 LEDs (→ page 17, Table 1)

Fig. 9

Rotary switch and LEDs of CAN address



- 5 Place cover on and screw tight.



Technical data and connector pin assignment → page 25, § 4.1.3

3.2.1.2 Setting the CAN bus termination

A DIP switch on the CAN bus gateway determines the bus termination (terminating resistor).

The terminating resistor must be set (default) when the CAN bus gateway is positioned at the end of the bus system.

A LED (→ page 16, Fig. 8) shows that the terminating resistor is set.

Setting the terminating resistor

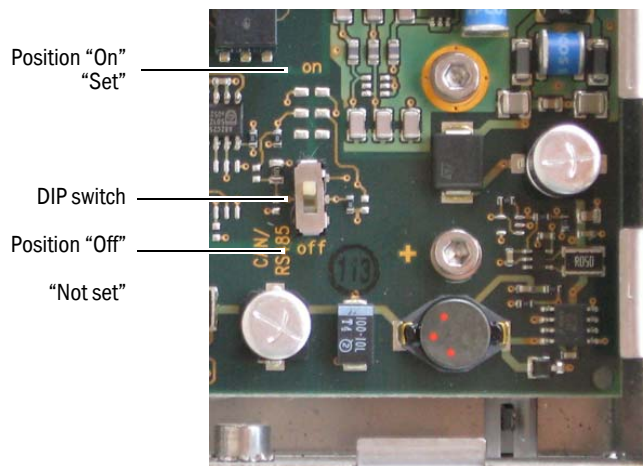
- 1 The CAN bus gateway must be disconnected from the mains and be potential-free.
- 2 Unscrew the cover of the CAN bus gateway (2 Allen screws SW 2.0).



Screws and washers fall off easily and may get lost.
 ► Use a suitable container to collect the screws and washers.

- 3 Pull the cover off to the front.
- 4 Set the DIP switch.

Fig. 10 DIP switch of the terminating resistor



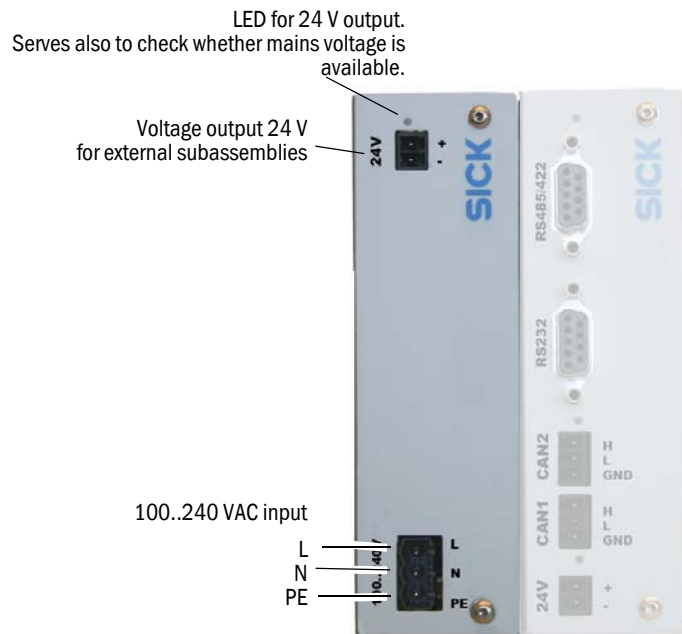
| Location in bus system | DIP switch direction | Terminating resistor | LED ^[1] |
|------------------------|----------------------|----------------------|--------------------|
| At the end | On (default setting) | Set, active | On |
| In the middle | Off | Not set | Off |

[1] LED location, see → page 16, Fig. 8

- 5 Place cover on and screw tight.

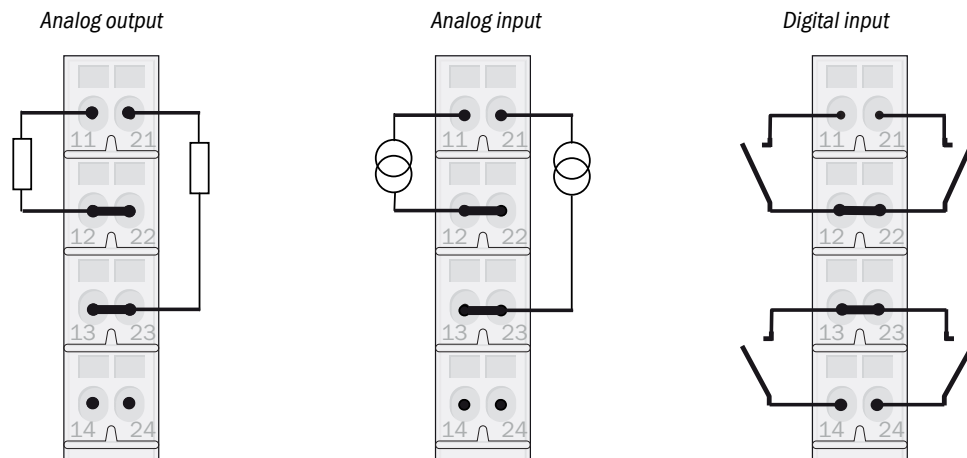
3.2.2 Power supply unit

Fig. 11 Voltage input on power supply unit



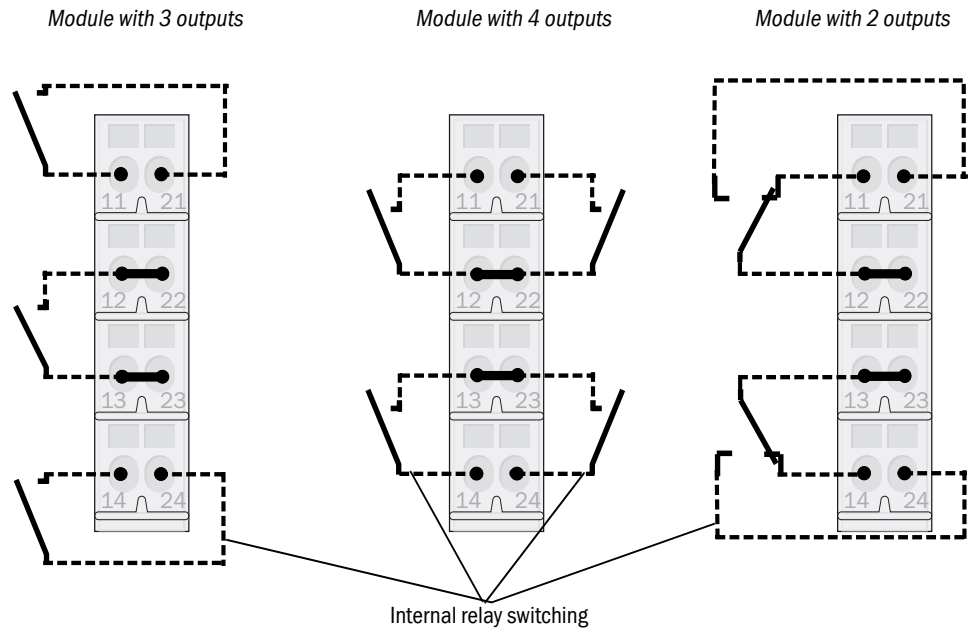
3.2.3 Connections of analog and digital I/O modules

Fig. 12 Connections of analog outputs, analog inputs and digital inputs



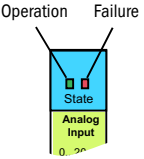
Terminals 12/22 and 13/23 are each bridged internally in the basic module

Fig. 13 Connections of digital outputs



Terminals 12/22 and 13/23 are each bridged internally in the basic module

3.2.3.1 Status indicator of I/O modules

|  | Operation (Green) | Failure (Red) | Cause/Condition |
|---|-------------------|---------------|---|
| | On | Off | Processor is running, module was recognized and addressed |
| | On | On | Processor is running, incorrect addressing |
| | Off | On | Voltage is applied, processor did not start |
| | Off | Off | Module is not supplied with voltage |
| | Blinks | Off | Signals communication between gateway and I/O module |

Modular I/O System

4 Technical Data

Technical Data
Part Nos.

4.1 Technical Data

4.1.1 Analog input modules, analog output modules and digital input modules

| Modules | Analog output (AO) | Analog input (AI) | Digital input (DI) |
|--|---|--|---|
| Channels | 2 | 2 | 4 |
| Signal | Output current: 0/4 ... 22 mA | Input current: 0/4 ... 22 mA | Voltage at open contact: Approx. 3.9 V Current at closed contact for < 4.5 mA |
| Maximum load resistance | 500 Ohm | 100 Ohm (input resistance) | |
| Maximum power dissipation | 1.10 W (with +24 V) | 0.25 W (with +24 V) | 0.55 W (with +24 V) |
| Accuracy | 0.25 % | | |
| Temperature range | 0 ... 55 °C | | |
| Dimensions (WxLxH) | 12.6 x 74.1 x 55.4 mm | | |
| Dimensions of basic module (W x L x H) | 12.6 x 128.9 x 49.9 mm | | |
| Characteristics | <ul style="list-style-type: none"> • Analog outputs are electrically isolated for each module • LEDs for status and diagnostic indication | <ul style="list-style-type: none"> • LEDs for status and diagnostic indication (reverse polarity protection diode in input circuit) | <ul style="list-style-type: none"> • Read-in from potential-free relay contacts • LEDs for status and diagnostic indication |

4.1.2 Data for digital output modules

| Modules | Digital output (DO2) | Digital output (DO3) | Digital output (DO4) |
|--|--|----------------------|----------------------|
| Channels | 2 (changeover contact) | 3 (make-contact) | 4 (make-contact) |
| Power dissipation (with +24 V) | 0.5 W | 0.75 W | 1.0 W |
| Nominal load voltage | 48 V AC/48 V DC | | |
| Maximum switching capacity | 340 VA | 35 VA/24 W | 35 VA/24 W |
| Maximum continuous current | 5 A | 0.5 A | |
| Minimum load current (recommended) | ≥100mA with 12 V | ≥0.1mA with 20 mV | |
| Temperature range | 0 ... 55 °C | | |
| Dimensions (WxLxH) | 12.6 x 74.1 x 55.4 mm | | |
| Dimensions of basic module (W x L x H) | 12.6 x 128.9 x 49.9 mm | | |
| Characteristics | <ul style="list-style-type: none"> • Contacts for 24..48 V DC/AC • LEDs for status and diagnostic indication | | |

4.1.3 **CAN bus gateway**

| | |
|------------------------|---|
| Part No.: | 2 031 144 |
| Operating temperature: | 0 °C ... +50 °C |
| Storage temperature: | -25 °C ... +85 °C |
| Degree of protection: | IP 20 (higher degree of protection depending on installation) |
| Weight: | Approx. 300 g |
| Power input: | 1 W maximum |

4.1.4 **Power supply unit**

| | |
|---------------------------------|---|
| Part No.: | 2 031 142 |
| Operating temperature: | -10 °C ... +70 °C |
| Storage temperature: | -25 °C ... +85 °C |
| Degree of protection: | IP 20 (higher degree of protection depending on installation) |
| Weight: | Approx. 500 g |
| Input voltage range: | 100 ... 240 V AC (allowed: 85 ... 264 V AC), 47 ... 440 Hz |
| Output voltage: | 24 V ± 2 % |
| Current consumption: | 100 V AC: < 400 mA 230 V AC: < 200 mA |
| Mains buffering: | 100 V AC: > 25 ms 230 V AC: > 100 ms |
| No-load dissipation: | 100 V AC: < 300 mW 230 V AC: < 400 mW |
| Short circuit and no-load test: | Yes |
| Overtemperature cut-off: | Yes, self-resetting |

4.1.5 **CAN bus**

| | |
|------------------------------|--------------------------------|
| Surge impedance: | 135 ... 165 Ohm (3 ... 20 MHz) |
| Impedance: | 120 Ohm ±15% |
| Loop resistance: | <100 Ohm/km |
| Capacitance per unit length: | < 10 pF/m |
| Type: | Twisted pairs, shielded |
| Terminating resistor: | 120 Ohm ± 10% |

4.1.6 **Spare parts Part Nos. for I/O modules**

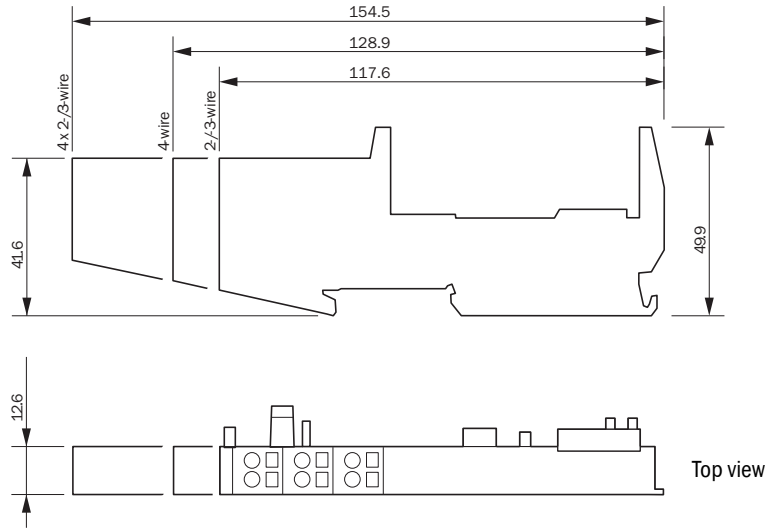
| Designation | Part No. |
|---|----------|
| Analog input module: 2 channels, 100 Ohm, 0 ... 22 mA | 2034656 |
| Analog output module: 2 channels, 500 Ohm, 0 ... 22 mA, each module electrically isolated | 2034657 |
| Digital input module: 4 channels for potential-free contacts, max. 4.5 mA | 2034658 |
| Digital output module: 2 channels (changeover contact), contact load 48 V AC/DC, 5 A | 2034659 |
| Digital output module: 3 channels (make-contact), contact load 48 V AC/DC, 0.5 A | 2034660 |
| Digital output module: 4 channels (make-contact), contact load 48 V AC/DC, 0.5 A | 2034661 |
| Basic module to accommodate one I/O module each, with tension spring connections | 6033578 |
| Module end plate (1 required) | 6028672 |
| End bracket (2 required) | 6028673 |
| Cable, 6 poles, 0.2 m ^[1] | 2033863 |

[1]Also for direct connection of the I/O modules to a console

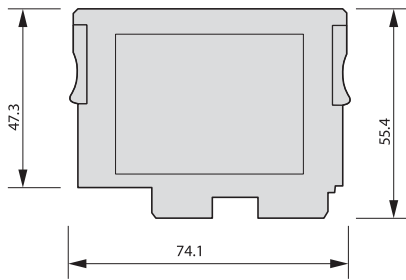
4.1.7 Dimensions of I/O modules

Fig. 14 Dimensions of basic module

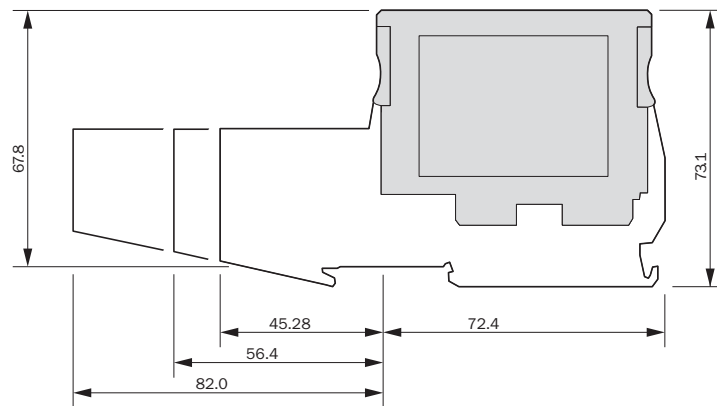
Basic module (with tension spring connection)



I/O module



Basic module equipped with I/O module



Subject to change without notice

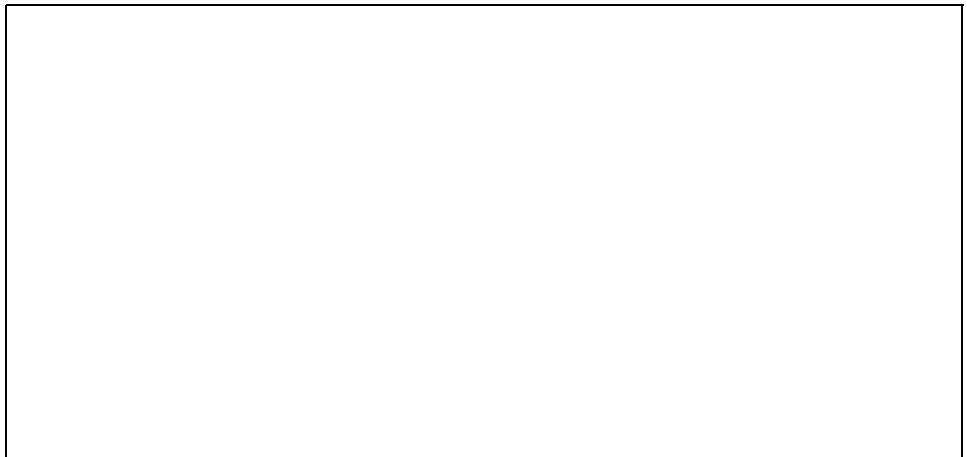
| | |
|---------------------------------------|-------|
| A | |
| Assembly | 10 |
| C | |
| CAN bus | |
| - Address, setting | 18 |
| - Connection rules | 15 |
| - Terminating resistor | 19 |
| CAN bus addresses | 18 |
| CAN bus gateway | 16 |
| Coding of I/O modules | 11 |
| Components | 6, 14 |
| I | |
| I/O Modules | |
| - Connecting | 20 |
| I/O modules | 7 |
| L | |
| LED | |
| - CAN address | 17 |
| - CAN bus gateway | 16 |
| - I/O Modules | 21 |
| P | |
| Power supply unit | 20 |
| S | |
| SCU | 6 |
| Status indicator of I/O modules | 21 |
| T | |
| Terminating resistor | 19 |

Modular I/O System

8011913/V 1.1/2012-08 | Subject to change without notice

SICK worldwide

You will find our local subsidiary
or agency at:
www.sick.com



Your local sales and service partner