



CONNECTORS

EN 175301-803, industry standard form B (11 mm)
 ISO 4400 / EN 175301-803, form A (18 mm)
 sizes 22 and 30

Series
881

FEATURES

- Spade connector sizes 22 and 30 to fit standardised three-pin moulded coils:
 - size 22, EN 175301-803, industry standard form B (11 mm), for coil types CM5, CM22, C22A, EMX and BMX
 - size 30, ISO 4400 / EN 175301-803 form A (18 mm), for coil types CM6, CMXX, CM12, CM25, C25A, CM30, CM40, ANX, AMX, JMX, FNX and FMX
- The connectors are available in three versions: standard rotatable version with or without integrated visual LED indicator and electrical protection, or version with non-rotatable 3-core moulded-in cable, 2 m long
- The standard connector size 30 is provided with a removable lid allowing access to the wiring for easy checking of power supply without unplugging the connector and without interrupting operation of the solenoid valve

GENERAL

Connector specification

size 22 (11 mm)

size 30 (18 mm)

Max. operating temperature

EN 175301-803 industry standard form B
 ISO 4400 / EN 175301-803, form A
 -40°C to +80°C (-40°C to +125°C⁽¹⁾ with silicone seal)
 [version with moulded-in cable -5°C to +70°C]

CONSTRUCTION

Standard version

Enclosure with LED and protection

Enclosure with PVC cable

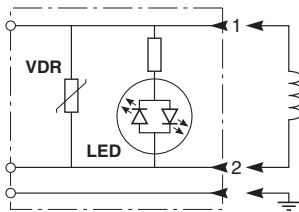
Seals

PA (polyamide), glass-fibre reinforced
 PA
 PA (polyamide), glass-fibre reinforced
 NBR [option for size 30: VMQ (silicone)]

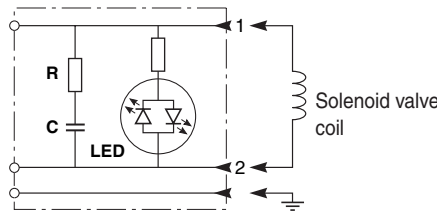
ELECTRICAL CHARACTERISTICS

	Size 22	Size 30
Number of contacts	2 + common earth	2 + common earth
Distance between contacts	11 mm	18 mm
Contact resistance	≤ 4 m Ω	≤ 4 m Ω
Connector	Spade plug	Spade plug
Electrical safety	IEC 335	IEC 335
Electrical enclosure protection	IP65 (EN 60529)	IP65 (EN 60529)
Number of wires (with cable)	3	3

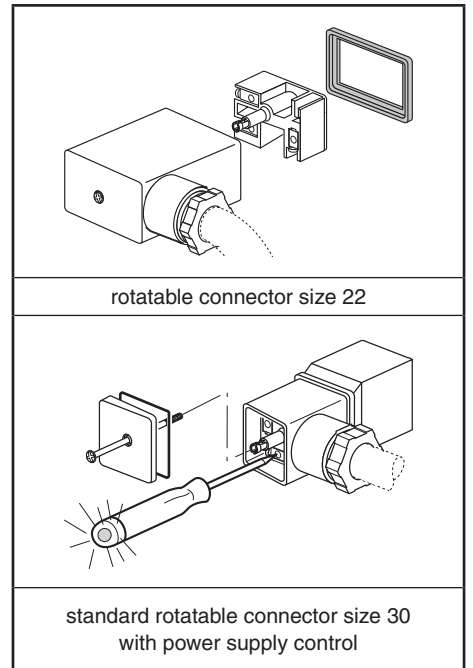
LED indicator and electrical protection diagrams



connector size 22



connector size 30



rotatable connector size 22

standard rotatable connector size 30
 with power supply control

VDR Varistor absorbing the self-inductance of the coil.
RC RC circuit absorbing the self-inductance of the coil.
LED Green light-emitting diode, bidirectional, signalling the presence of voltage across the coil terminals.

SPECIFICATIONS

description	cable length	cable O.D.		wire cross-section (mm ²)	max. voltage (V)	type	catalogue number		
		size 22	size 30				size 22 NBR	size 30 NBR	size 30 VMQ ⁽¹⁾
Rotatable connector									
standard, without LED indicator	-	6-8 mm	6-10 mm	1,5	250	01-02	88122404	88122602	88122625
with integrated LED indicator and electrical protection	-	6-8 mm	8-10 mm	1,5	12	01-02	-	88122611	-
					24		88122405	88122603	-
					48		88122406	88122604	-
					115		88122407	88122605	-
230	88122410	88122608	-						
Non-rotatable connector with cable									
without LED indicator	2 m	-	-	1,5	250	03-04	88122413	88122612	-

⁽¹⁾ For use within class H temperature limits.

INSTALLATION

- The connectors can be mounted in any position without affecting operation

ORDERING EXAMPLES:

88122404 88122602
basic number _____

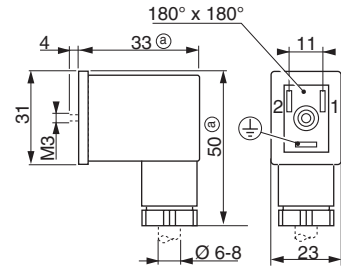
DIMENSIONS (mm), WEIGHT (kg)



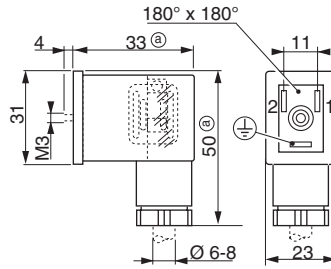
TYPE 01

Size 22 (11 mm)
EN 175301-803 industry standard form B
IP65

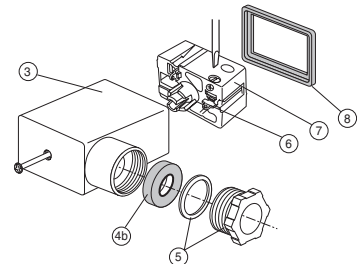
88122404



88122405/406/407/410



88122404/405/406/407/410



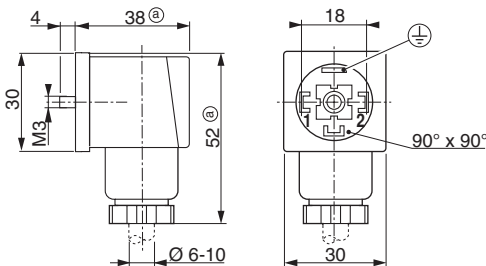
(a) Max. dimension.



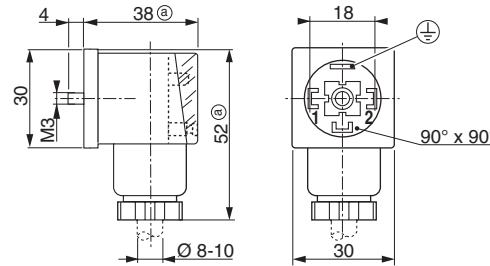
TYPE 02

Size 30 (18 mm)
ISO 4400 / EN 175301-803, form A
IP65

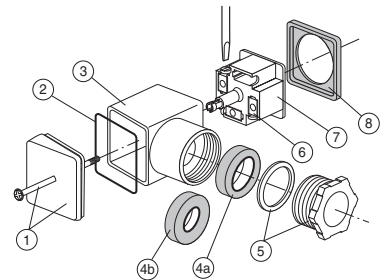
88122602/625



88122611/603/604/605/608



88122602/625



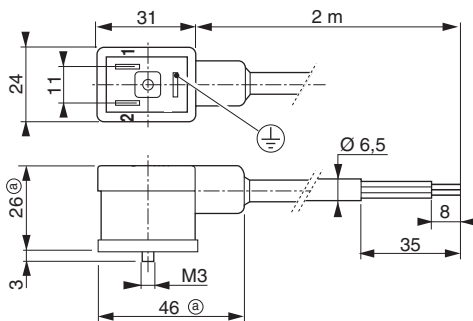
(a) Max. dimension.



TYPE 03

Size 22, flying leads (11 mm)
EN 175301-803 industry standard form B
IP65
(non-rotatable terminal holder)

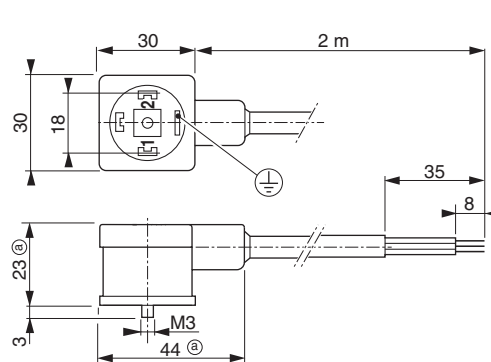
88122413



TYPE 04

Size 30, flying leads (18 mm)
ISO 4400 / EN 175301-803, form A
IP65
(non-rotatable terminal holder)

88122612



(a) Max. dimension.

type	L (m)	weight ⁽¹⁾	
		without LED indicator	with LED indicator
01	-	0,025	0,025
02	-	0,030	0,032
03	2	0,150	-
04	2	0,155	-

sizes 03 and 04	
brown wire	terminal 1 (+)
blue wire	terminal 2 (-)
green/yellow wire	earth

⁽¹⁾ Including seals and screws.



CONNECTORS

EN 175301-803, industry standard form C (9,4 mm)

EN 175301-803, form C (8 mm)

size 15

Series
881

FEATURES

- Spade connector size 15 to fit standardised three-pin moulded coils:
 - EN 175301-803, industry standard form C (9,4 mm), for coil type CM15 (series 202), DMX and series 302, 630, 519, 520, 521 and 578 (MEGA)
 - EN 175301-803, form C (8 mm), for series 302, 630 and 202
- The connectors are available in three versions: standard rotatable version, or version with non-rotatable 3-core moulded-in cable, 2 m or 5 m long, with or without integrated visual LED indicator and electrical protection

GENERAL

Connector specification

size 15, 9,4 mm pin spacing

size 15, 8 mm pin spacing

Max. operating temperature

EN 175301-803, industry standard form C

EN 175301-803, form C

-25°C to +60°C

[version with moulded-in cable -25°C to +60°C]



CONSTRUCTION

Standard version

PA (polyamide), glass-fibre reinforced

Enclosure with LED and protection

PA or PP

Enclosure with PVC cable

PP (polypropylene), glass-fibre reinforced

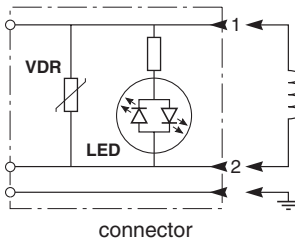
Seals

NBR

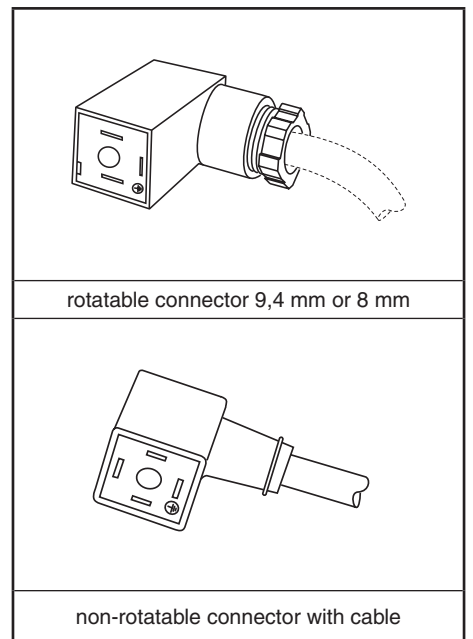
ELECTRICAL CHARACTERISTICS

	Size 15	Size 15
Number of contacts	2 + common earth ⁽¹⁾	2 + common earth
Distance between contacts	9,4 mm	8 mm
Contact resistance	≤ 4 m Ω	≤ 4 m Ω
Connector	Spade plug	Spade plug
Electrical safety	IEC 335	IEC 335
Electrical enclosure protection	IP65 (EN 60529)	IP65 (EN 60529)
Number of wires (with cable)	3	3

LED indicator and electrical protection diagrams



VDR Varistor absorbing the self-inductance of the Solenoid valve coil.
LED Green light-emitting diode, bidirectional, signalling the presence of voltage across the coil terminals.



SPECIFICATIONS

description	cable length	cable O.D.	wire cross-section (mm ²)	max. voltage (V)	type	catalogue number	
						size 15	
						9,4 mm	8 mm
Rotatable connector							
standard, without LED indicator	-	4-6 mm	0,6	250 V	01-02	88143581	88130211
Non-rotatable connector with cable							
without LED indicator	2 m	-	0,6	250 V	03	88143567	⁽²⁾
with integrated LED indicator and electrical protection	2 m	-	0,6	24 V	04	88143580	-
	5 m					88143593	-

⁽¹⁾ Version with 3 pins + earth, see our catalogue Fluid Automation Pneumatic Components, page P575.

⁽²⁾ Contact us

OPTIONS

- Connectors with cable, 5 m long, contact us

INSTALLATION

- The connectors can be mounted in any position without affecting operation

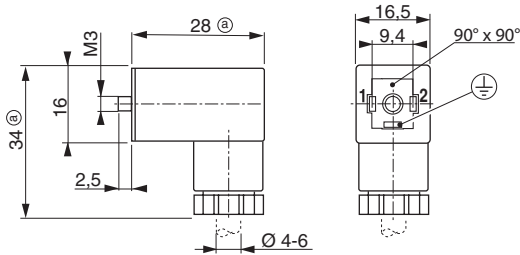
ORDERING EXAMPLES:

88143581 88130211
basic number _____

DIMENSIONS (mm), WEIGHT (kg)

TYPE 01
Size 15, 9,4 mm
EN 175301-803, industry standard form C
IP65

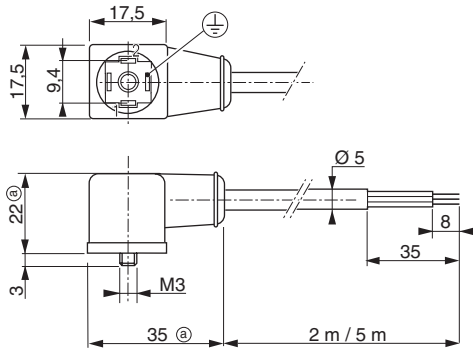
88143581



(a) Max. dimension.

TYPE 03
Size 15, flying leads, without LED indicator
EN 175301-803, industry standard form C (9,4 mm)
IP65
(non-rotatable terminal holder)

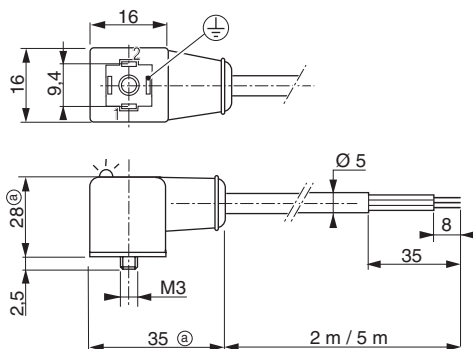
88143567



(a) Max. dimension.

TYPE 04
Size 15, flying leads, with LED indicator
EN 175301-803, industry standard form C (9,4 mm)
IP65
(non-rotatable terminal holder)

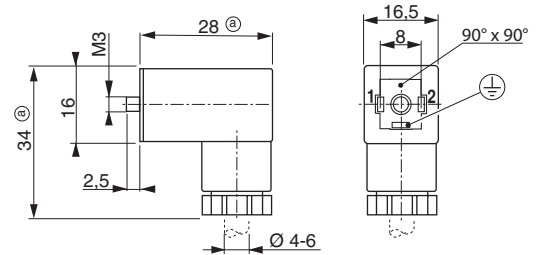
88143580/593



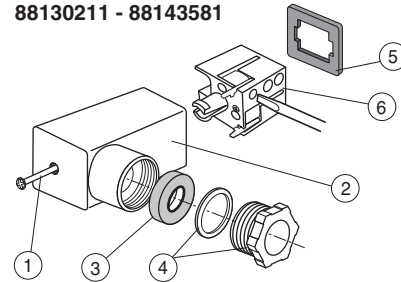
(a) Max. dimension.

TYPE 02
Size 15, 8 mm
EN 175301-803, form C
IP65

88130211



88130211 - 88143581



- 1 Fastening screw
- 2 Enclosure
- 3 Seal for cable dia. 4 to 6 mm
- 4 Stuffing box washer and nut
- 5 Connector seal
- 6 Terminal holder
- 7 Cable connection terminal

type	L (m)	weight ⁽¹⁾	
		without LED indicator	with LED indicator
01 - 02	-	0,015	-
03	2	0,100	-
04	2	-	0,100
	5	-	0,220

⁽¹⁾ Including seals and screws.

sizes 03 and 04	
brown wire	terminal 1 (+)
blue wire	terminal 2 (-)
green/yellow wire	earth