

FIGURE 1052 – FM APPROVED, AUTOMATIC SAFETY SHUT-OFF AND VENT VALVES FOR LIQUID AND GAS BURNERS AND APPLIANCES

The Jamesbury® Figure 1052 Automatic Safety Shut Off valves are FM Global approved to standard number 7400 and 7440 for providing protection against hazards during operation of fuel systems or fuel burning equipment. The valves will operate quickly to isolate or vent upon loss of electrical signal, and operate to isolate or vent if the instrument air pressure is lost.

The importance of certified performance

Obtaining certification only achievable through rigorous testing is not only a matter of meeting industry standards and regulations, but also an assurance of quality and reliability. Metso offers unparalleled performance with its offering of certified *Jamesbury* safety shut-off and vent valves for burner management systems.

Our promise of quality and reliability

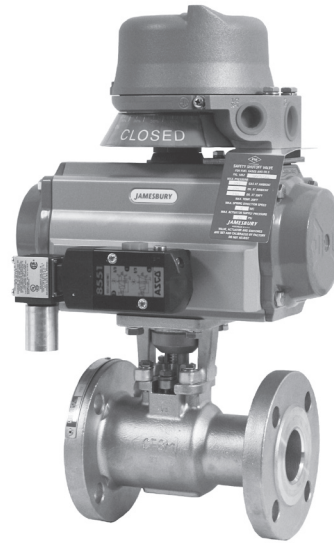
Metso certified *Jamesbury* FM approved packages offer Innovation through patented seat and seal designs, Xtreme® seat material, pneumatic actuator, limit switch and solenoid performance to maximize plant uptime.

Single Source Responsibility

All components of the Metso Figure 1052 packages, excluding pneumatic solenoid, are Metso designed and engineered products. This insures reliable, safe and worry free operation of the safety shutoff and vent valves through many years of service.

Approved Valve Models

Valves are available with either threaded or socket weld ends in sizes 1/4" – 2" (8-50), ASME 150 and ASME 300 flanged design in sizes 1/2" - 8" (15-200) reduced port and ASME 150 and ASME 300 flanged design in 1/2" – 6" (15-150) full port construction. The threaded ASME and flanged valves offering can also be supplied with a PED (Pressure Equipment Directive) certification. Valves are offered in Carbon Steel (WCB) and 316SS (CF8M) bodies. Trim material is 316SS as standard.



Size	Model	Code	End Connection
1/4" - 2" (8-50)	A Style	AZ	Reduced Port, Threaded
1/4" - 2" (8-50)	Eliminator	9FA/9FM	ASME 600 Reduced Port, Threaded
1/2" - 2" (15-50)	4000 Series	4A(B)/4C(B) 4A(M)/4C(M)	ASME 800 Reduced Port, Threaded or Socket Weld
1/2" - 1-1/2" (15-40)	4000 Series	4B(B)/4D(B) 4B(M)/4D(M)	ASME 800 Full Port, Threaded or Socket Weld
1/2" - 8" (15-200)	7000 Series	7150/7180	ASME 150 Reduced Port, Flanged
1/2" - 8" (15-200)	7000 Series	730S/738S	ASME 300 Reduced Port, Flanged (Short Pattern)
1/2" - 8" (15-200)	7000 Series	7300/7380	ASME 300 Reduced Port, Flanged
1/2" - 6" (15-150)	9000 Series	9150/9180	ASME 150 Full Port, Flanged
1/2" - 6" (15-150)	9000 Series	9300/9380	ASME 300 Full Port, Flanged

Valve Design Features and Benefits

Polymeric flexible lip, self relieving seat design offers tight shut-off to API 598, better than ANSI / FCI 70-2 Class VI, in either direction and extended cycle life with a minimum of maintenance. Providing tightest shutoff available.

Xtreme seat material, developed in the Metso Polymer Research Laboratory, provides longer life and industry leading expanded performance. This equals a lower cost of ownership.

API standards for 'Process Valves' require adjustable packing. Metso's independently adjustable stem sealing, including 2" and smaller patented design, provides a life cycle that complements the enhanced performance of the seat technology; lowers the risk of fugitive emissions.

Approved Actuator Models

Metso *Jamesbury* Figure 1052 assemblies are available with a choice of two actuator types. The Quadra-Powr® X spring and diaphragm pneumatic actuator rated for 60 psi/4.1 bar minimum air supply or the Valv-Powr® VPVL rack and pinion pneumatic actuator rated for 60 psi/4.1 bar minimum air supply. Assemblies approved for 40 PSI minimum air supply are available.

Note* Operating FM package with a actuator air supply greater than the listed minimum air supply pressure can have an adverse effect on operating speeds. This is especially true in the optional fast closing assemblies.

Quadra-Powr X Actuator Features

Rolling diaphragm design, along with a one piece UHMW Polyethylene guide bearing insures a long cycle life, smooth operation and low friction.

Acetal-lined stainless steel backed bearing offer a low coefficient of friction that allows virtually all of the available torque to be delivered directly to the output shaft.

Zinc phosphate epoxy based primer coat and UV resistant polyurethane top coat provide durability and protection in corrosive atmospheres.

Valv-Powr Actuator Features

Bearings on all rotating and moving parts to insure a long cycle life.

Dual piston rack-and-pinion mechanism for simple construction, high cycle life and constant torque output.

Hard-anodized PTFE-coated extruded aluminum body with honed internal surfaces for strength and lower coefficient of friction.

Mechanically multi-guided aluminum pistons for precise movement, low friction and high cycle life.

Machined teeth on piston racks and pinions for excellent rack and pinion engagement and maximum efficiency.

Solenoid Pilot Valves

Metso has tested and qualified all of the approved solenoid models to insure the reliability and quality to maximize cycle life.

Flow capacity of the solenoid is sufficient to provide standard valve closing within 5 seconds. Optional fast closing units are available as an option.

Standard coils are continuous duty molded Class F.

Stonel® Limit Switches

Housing assemblies are FM approved to NEMA 4, 4X and 6; Class I, Div. 1, Groups B, C & D; Class II, Div. 1, Groups E, F & G for watertight and explosive proof hazardous location service.

Limit switches are actuated directly from the valve/actuator drive train, reliably giving a true valve position signal.

Switched designated as "supervisory" are set so that are activated only when the valve is in the fail position. The "supervisory" switch(es) marked so as to indicate the, as assembled, position. Switches indicated as "free" are not marked and can be adjusted. These are normally set to be activated when the actuator is energized

Maximum Operating Pressure Ratings

Automatic Gas and Oil Safety Valves are rated for service based on FM approval tests as shown below. Ambient temperature should not exceed +140°F (60°C).

Valve Size (Inches)	Valve Size (DN)	Valve Series	Valve Material	Seats	Maximum Operating Pressure					
					Gas		Unheated Oil #2, #4		Heated Oil #5, #6	
					(Max Temp. 100°F / 38°C)		(Max Temp. 100°F / 38°C)		(Max Temp. °F / °C)	
					psi	bar	psi	bar	psi	bar
1/2" - 2"	15-50	4000	WCB, CF8M	Xtreme(X)	1200	82.7	1200	82.7	350	24
				PTFE (T)	1000	68.9	1000	68.9	100	7
1/4" - 2"	8-50	Eliminator	WCB, CF8M	Xtreme(X)	1200	82.7	1200	82.7	350	24
				PTFE (T)	1000	68.9	1000	68.9	100	7
1/4" - 2"	8-50	A Style	WCB, CF8M	Xtreme(X)	1200	82.7	1200	82.7	350	24
				PTFE (T)	1000	68.9	1000	68.9	100	7
1/2" - 8" (1/2" - 6")	15-200 (15-150)	7150 (9150)	WCB	Xtreme(X)	285	19.6	285	19.6	170	12
				PTFE (T)					100	7
			CF8M	Xtreme(X)	275	19	275	19	170	12
				PTFE (T)					100	7
1/2" - 2" (1/2" - 1-1/2")	15-50 (15-40)	7300/730S (9300)	WCB	Xtreme(X)	740	51.1	740	51.1	350	24
				PTFE (T)					100	7
			CF8M	Xtreme(X)	720	49.6	720	49.6	350	24
				PTFE (T)					100	7
3" - 8" (2" - 6")	80-200 (50-150)	7300/730S (9300)	WCB	Xtreme(X)	285	19.6	285	19.6	170	12
				PTFE (T)					100	7
			CF8M	Xtreme(X)	275	19	275	19	170	12
				PTFE (T)					100	7

* For Xtreme seats, use Max Temp. 500°F/260°C. For PTFE seats, use Max Temp. 375°F/190°C

Flow Data

The tables below provide flow coefficients of *Jamesbury* Automatic Gas and Oil Safety Valves covered in this bulletin. The Cv values represent the flow of water at +60°F through the valve in U.S. gallons per minute at a pressure drop of 1 psi. The metric equivalent, Kv, is the flow of water at 16°C through the valve in M3/hr at a pressure drop of 1 kg/cm². To convert Cv to Kv, multiply by 0.8569.

Series 4000					
Valve Size		Standard Port		Full Port	
Inches	DN	C _v	Equivalent length of pipe (ft.)	C _v	Equivalent length of pipe (ft.)
1/2	15	13	1.52	13	1.52
3/4	20	33	1.1	40	.61
1	25	44	2.1	65	1.9
1-1/4	32	46	8.4	90	2.0
1-1/2	40	95	4.5	135	3.2
2	50	111	12.0	-	-

Eliminator & A Style			
Valve Size		Standard Port	
Inches	DN	C _v	Equivalent length of pipe (ft.)
1/4	8	6	0.33
3/8	10	10	0.61
1/2	15	13	1.52
3/4	20	33	1.1
1	25	44	2.1
1-1/4	32	46	8.4
1-1/2	40	95	4.5
2	50	111	12.0

Standard Port Flanged Valves			
Valve Size		C _v	Equivalent length of pipe (ft.)
Inches	DN		
1/2	15	9	3.2
3/4	20	19	3.1
1	25	45	2.0
2	50	165	5.4
3	80	350	9.7
4	100	550	16.2
6	150	765	70
8	200	1890	51

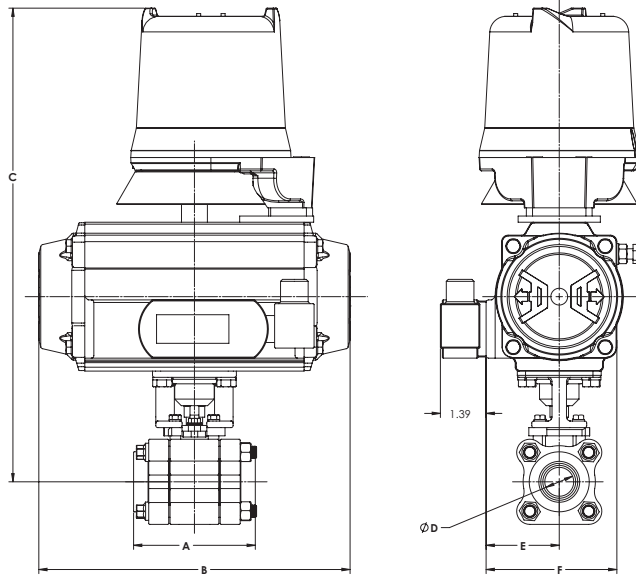
Full Port Flanged Valves			
Valve Size		C _v	Equivalent length of pipe (ft.)
Inches	DN		
1/2	15	9	3.2
3/4	20	50	0.45
1	25	100	0.41
2	50	490	0.6
3	80	1160	0.8
4	100	2200	0.9
6	150	5100	1.6

Dimensional Data

The following dimensional data is nominal values using a standard solenoid, standard actuators sized for 60psi and a tall Quartz® switch.

DIMENSIONS

1/2" - 2" (DN15 - 50) Reduced Port and 1/2" - 1-1/2" (DN15 - 40) Full Port Series 4000 Screwed End and Socket Weld Valves with *Valv-Powr* Spring-Return Actuator, Full Rating



Series 4000 Reduced Port - Full Rating Approximate Dimensions - inches

Valve Size inches	Socket & NPT						Weight lbs	Actuator
	A	B	C	D	E	F		
1/2	2.59	6.04	12.24	0.50	1.91	3.33	10	VPVL100SR4/5
3/4	3.01	8.01	13.07	0.69	1.99	3.66	14	VPVL200SR4/5
1	3.69	9.49	14.46	0.88	2.22	4.06	19	VPVL250SR4/5
1-1/4	4.22	11.97	16.14	1.00	2.83	5.39	32	VPVL350SR4/5
1-1/2	4.58	13.11	17.19	1.25	3.03	5.79	42	VPVL400SR4/5
2	5.11	15.53	18.16	1.50	3.39	6.54	58	VPVL450SR4/5

Series 4000 Reduced Port - Full Rating Approximate Dimensions - mm

Valve Size DN	Socket & NPT						Weight kg	Actuator
	A	B	C	D	E	F		
15	65.8	153.4	311.0	12.7	48.5	84.6	5	VPVL100SR4/5
20	76.5	203.5	332.1	17.5	50.5	93.0	6	VPVL200SR4/5
25	93.7	241.0	367.2	22.4	56.5	103.1	9	VPVL250SR4/5
32	107.2	304.0	410.0	25.4	72.0	136.9	15	VPVL350SR4/5
40	116.3	333.0	436.7	31.8	77.0	147.1	19	VPVL400SR4/5
50	129.8	394.5	461.3	38.1	86.0	166.1	26	VPVL450SR4/5

Series 4000 Full Port - Full Rating Approximate Dimensions - inches

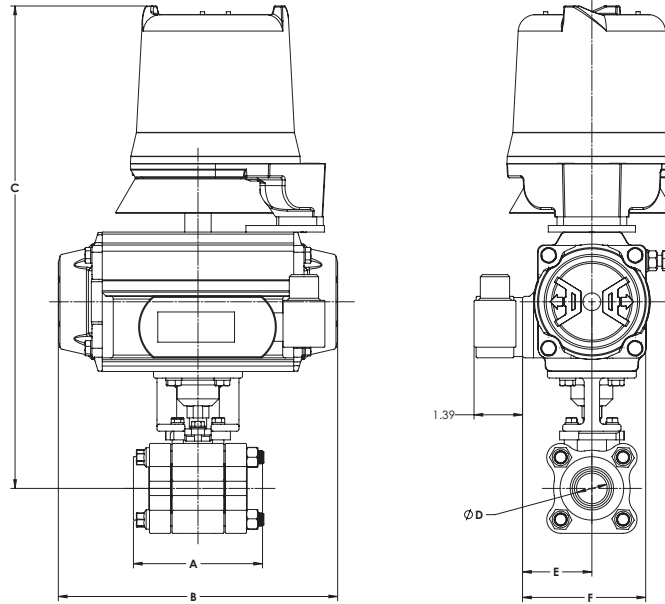
Valve Size inches	Socket & NPT						Weight lbs	Actuator
	A	B	C	D	E	F		
1/2	2.59	6.04	12.24	0.50	1.91	3.33	10	VPVL100SR4/5
3/4	3.69	9.49	14.46	0.80	2.22	4.06	19	VPVL200SR4/5
1	4.22	11.97	16.14	1.00	2.83	5.39	33	VPVL250SR4/5
1-1/4	4.58	13.11	17.19	1.25	3.03	5.79	43	VPVL350SR4/5
1-1/2	5.11	15.53	18.16	1.50	3.39	6.54	59	VPVL400SR4/5

Series 4000 Reduced Port - Full Rating Approximate Dimensions - mm

Valve Size DN	Socket & NPT						Weight kg	Actuator
	A	B	C	D	E	F		
15	65.8	153.4	311.0	12.7	48.5	84.6	5	VPVL100SR4/5
20	93.7	241.0	367.2	22.4	56.5	103.1	9	VPVL200SR4/5
25	107.2	304.0	410.0	25.4	72.0	136.9	15	VPVL250SR4/5
32	116.3	333.0	436.7	31.8	77.0	147.1	19	VPVL350SR4/5
40	129.8	394.5	461.3	38.1	86.0	166.1	27	VPVL400SR4/5

DIMENSIONS

1/2" - 2" (DN15 - 50) Reduced Port and 1/2" - 1-1/2" (DN15 - 40) Full Port Series 4000 Screwed End and Socket Weld Valves with *Valv-Powr* Spring-Return Actuator, Reduced Rating (Equal to ASME Class 150)



Series 4000 Reduced Port - Reduced Rating Approximate Dimensions - inches

Valve Size inches	Socket & NPT	B	C	D	E	F	Weight lbs	Actuator
	A							
1/2	2.59	6.04	12.24	0.50	1.91	3.33	10	VPVL100SR4/5
3/4	3.01	6.04	12-40	0.69	1.91	3.33	11	VPVL100SR4/5
1	3.69	8.01	13.95	0.88	1.99	3.66	16	VPVL200SR4/5
1-1/4	4.22	8.01	14.08	1.00	1.99	3.66	18	VPVL200SR4/5
1-1/2	4.58	9.49	15.28	1.25	2.22	4.06	24	VPVL250SR4/5
2	5.11	10.20	15.93	1.50	2.48	4.67	31	VPVL300SR4/5

Series 4000 Reduced Port - Reduced Rating Approximate Dimensions - mm

Valve Size DN	Socket & NPT	B	C	D	E	F	Weight kg	Actuator
	A							
15	65.8	153.4	311.0	12.7	48.5	84.6	5	VPVL100SR4/5
20	76.5	153.4	315.0	17.5	48.5	84.6	5	VPVL100SR4/5
25	93.7	203.5	354.2	22.4	50.5	93.0	7	VPVL200SR4/5
32	107.2	203.5	357.5	25.4	50.5	93.0	8	VPVL200SR4/5
40	116.3	241.0	388.0	31.8	56.5	103.1	11	VPVL250SR4/5
50	129.8	259.1	404.5	38.1	63.0	118.6	14	VPVL300SR4/5

Series 4000 Full Port - Reduced Rating Approximate Dimensions - inches

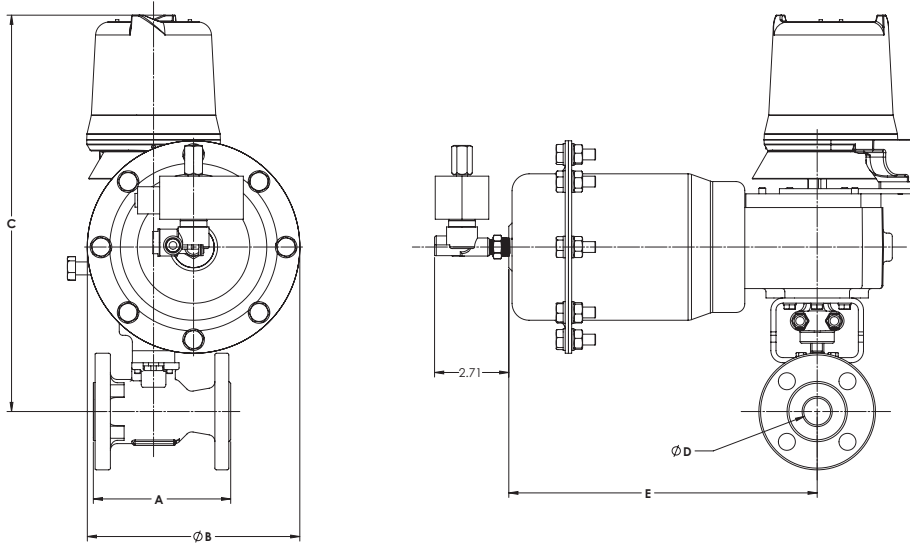
Valve Size inches	Socket & NPT	B	C	D	E	F	Weight lbs	Actuator
	A							
1/2	2.59	6.04	12.24	0.50	1.91	3.33	10	VPVL100SR4/5
3/4	3.69	8.01	13.95	0.88	1.99	3.66	17	VPVL200SR4/5
1	4.22	8.01	14.08	1.00	1.99	3.66	18	VPVL200SR4/5
1-1/4	4.58	9.49	15.28	1.25	2.22	4.06	25	VPVL250SR4/5
1-1/2	5.11	10.20	15.93	1.50	2.48	4.67	32	VPVL300SR4/5

Series 4000 Full Port - Reduced Rating Approximate Dimensions - mm

Valve Size DN	Socket & NPT	B	C	D	E	F	Weight kg	Actuator
	A							
15	65.8	153.4	311.0	12.7	48.5	84.6	5	VPVL100SR4/5
20	93.7	203.5	354.2	22.4	50.5	93.0	8	VPVL200SR4/5
25	107.2	203.5	357.5	25.4	50.5	93.0	8	VPVL200SR4/5
32	116.3	241.0	388.0	31.8	56.5	103.1	11	VPVL250SR4/5
40	129.8	259.1	404.5	38.1	63.0	118.6	14	VPVL300SR4/5

DIMENSIONS

1/2" - 2" (DN15 - 50) Reduced Port and 1/2" - 1-1/2" (DN15 - 40) Full Port Series 4000 Screwed End and Socket Weld Valves with Quadra-Powr Spring Diaphragm Actuator, Full Rating and Reduced Rating (Equal to ASME Class 150)



Series 4000 Reduced Port - Full Rating Approximate Dimensions - inches

Valve Size inches	Socket & NPT					Weight lbs	Actuator
	A	B	C	D	E		
1/2	2.59	7.75	13.72	0.50	11.26	91	QPX1C/M
3/4	3.01	7.75	13.88	0.69	11.26	92	QPX1C/M
1	3.69	7.75	14.36	0.88	11.26	94	QPX1C/M
1-1/4	4.22	7.75	14.49	1.00	11.26	96	QPX1C/M
1-1/2	4.58	8.98	15.19	1.25	13.35	105	QPX2C/M
2	5.11	10.79	16.00	1.50	15.78	117	QPX3C/M

Series 4000 Reduced Port - Full Rating Approximate Dimensions - mm

Valve Size DN	Socket & NPT					Weight kg	Actuator
	A	B	C	D	E		
15	65.8	196.9	348.5	12.7	286.0	41	QPX1C/M
20	76.5	196.9	352.6	17.5	286.0	42	QPX1C/M
25	93.7	196.9	364.8	22.4	286.0	43	QPX1C/M
32	107.2	196.9	368.1	25.4	286.0	43	QPX1C/M
40	116.3	228.1	385.7	31.8	339.1	48	QPX2C/M
50	129.8	274.1	406.4	38.1	400.8	53	QPX3C/M

Series 4000 Reduced Port - Full Rating Approximate Dimensions - inches

Valve Size inches	Socket & NPT					Weight lbs	Actuator
	A	B	C	D	E		
1/2	2.59	7.75	13.72	0.50	11.26	91	QPX1C/M
3/4	3.69	7.75	14.36	0.88	11.26	95	QPX1C/M
1	4.22	7.75	14.49	1.00	11.26	96	QPX1C/M
1-1/4	4.58	8.98	15.19	1.25	13.35	106	QPX2C/M
1-1/2	5.11	10.79	16.00	1.50	15.78	118	QPX3C/M

Series 4000 Reduced Port - Full Rating Approximate Dimensions - mm

Valve Size DN	Socket & NPT					Weight kg	Actuator
	A	B	C	D	E		
15	65.8	196.9	348.5	12.7	286.0	41	QPX1C/M
20	93.7	196.9	364.8	22.4	286.0	43	QPX1C/M
25	107.2	196.9	368.1	25.4	286.0	44	QPX1C/M
32	116.3	228.1	385.7	31.8	339.1	48	QPX2C/M
40	129.8	274.1	406.4	38.1	400.8	54	QPX3C/M

DIMENSIONS

1/2" - 2" (DN15 - 50) Reduced Port and 1/2" - 1-1/2" (DN15 - 40) Full Port Series 4000 Screwed End and Socket Weld Valves with *Quadra-Powr* Spring Diaphragm Actuator, Full Rating and Reduced Rating (Equal to ASME Class 150)

Series 4000 Reduced Port - Reduced Rating Approximate Dimensions - inches							
Valve Size inches	Socket & NPT	B	C	D	E	Weight lbs	Actuator
	A						
1/2	2.59	7.75	13.72	0.50	11.26	91	QPX1C/M
3/4	3.01	7.75	13.88	0.69	11.26	92	QPX1C/M
1	3.69	7.75	14.36	0.88	11.26	94	QPX1C/M
1-1/4	4.22	7.75	14.49	1.00	11.26	96	QPX1C/M
1-1/2	4.58	8.98	15.19	1.25	13.35	105	QPX2C/M
2	5.11	8.98	15.37	1.50	15.35	117	QPX3C/M

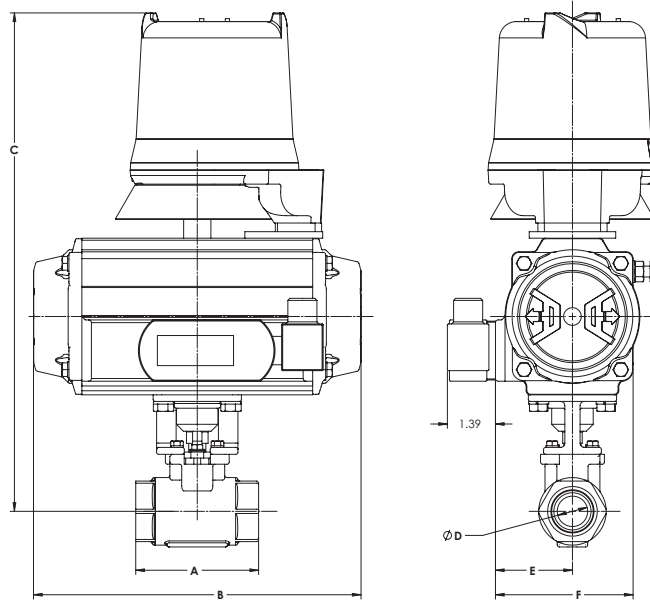
Series 4000 Reduced Port - Reduced Rating Approximate Dimensions - mm							
Valve Size DN	Socket & NPT	B	C	D	E	Weight kg	Actuator
	A						
15	65.8	196.9	348.5	12.7	286.0	41	QPX1C/M
20	76.5	196.9	352.6	17.5	286.0	42	QPX1C/M
25	93.7	196.9	364.8	22.4	286.0	43	QPX1C/M
32	107.2	196.9	368.1	25.4	286.0	43	QPX1C/M
40	116.3	228.1	385.7	31.8	339.1	48	QPX2C/M
50	129.8	228.1	390.3	38.1	339.1	49	QPX2C/M

Series 4000 Full Port - Reduced Rating Approximate Dimensions - inches							
Valve Size inches	Socket & NPT	B	C	D	E	Weight lbs	Actuator
	A						
1/2	2.59	7.75	13.72	0.50	11.26	91	QPX1C/M
3/4	3.69	7.75	14.36	0.88	11.26	95	QPX1C/M
1	4.22	7.75	14.49	1.00	11.26	96	QPX1C/M
1-1/4	4.58	8.98	15.19	1.25	13.35	106	QPX2C/M
1-1/2	5.11	8.98	15.37	1.50	13.35	109	QPX2C/M

Series 4000 Full Port - Reduced Rating Approximate Dimensions - mm							
Valve Size DN	Socket & NPT	B	C	D	E	Weight kg	Actuator
	A						
15	65.8	196.9	348.5	12.7	286.0	41	QPX1C/M
20	93.7	196.9	364.8	22.4	286.0	43	QPX1C/M
25	107.2	196.9	368.1	25.4	286.0	44	QPX1C/M
32	116.3	228.1	385.7	31.8	339.1	48	QPX2C/M
40	129.8	228.1	390.3	38.1	339.1	54	QPX2C/M

DIMENSIONS

1/4" - 2" (DN8 - 50) Reduced Port Eliminator Screwed End Valves with Valv-Powr Spring-Return Actuator, Full Rating



Eliminator Reduced Port - Full Rating Approximate Dimensions - inches

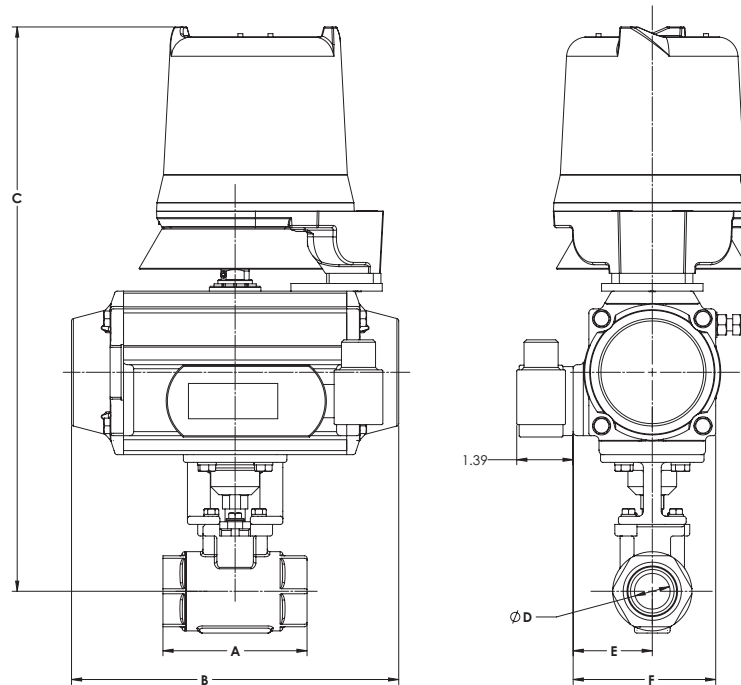
Valve Size inches	NPT						Weight lbs	Actuator
	A	B	C	D	E	F		
1/4	2.16	6.04	12.24	0.43	1.91	3.33	9	VPVL100SR4/5
3/8	2.16	6.04	12.24	0.43	1.91	3.33	9	VPVL100SR4/5
1/2	2.62	6.04	12.24	0.50	1.91	3.33	9	VPVL100SR4/5
3/4	3.00	8.01	13.07	0.69	1.99	3.66	13	VPVL200SR4/5
1	3.55	9.49	14.46	0.88	2.22	4.06	17	VPVL250SR4/5
1-1/4	4.00	11.97	16.14	1.00	2.83	5.39	30	VPVL350SR4/5
1-1/2	4.38	13.11	17.19	1.23	3.03	5.79	38	VPVL400SR4/5
2	5.50	15.53	18.16	1.50	3.39	6.54	53	VPVL450SR4/5

Eliminator Reduced Port - Full Rating Approximate Dimensions - mm

Valve Size DN	NPT						Weight kg	Actuator
	A	B	C	D	E	F		
8	54.9	153.4	311.0	10.9	48.5	84.6	4	VPVL100SR4/5
10	54.9	153.4	311.0	10.9	48.5	84.6	4	VPVL100SR4/5
15	66.5	153.4	311.0	12.7	48.5	84.6	4	VPVL100SR4/5
20	76.2	203.5	332.1	17.5	50.5	93.0	6	VPVL200SR4/5
25	90.2	241.0	367.2	22.4	56.5	103.1	8	VPVL250SR4/5
32	101.6	304.0	410.0	25.4	72.0	136.9	14	VPVL350SR4/5
40	111.3	333.0	436.7	31.2	77.0	147.1	17	VPVL400SR4/5
50	139.7	394.5	461.3	38.1	86.0	166.1	24	VPVL450SR4/5

DIMENSIONS

**1/4" - 2" (DN8 - 50) Reduced Port Eliminator Screwed End Valves
with Valv-Powr Spring-Return Actuator, Reduced Rating (Equal to ASME Class 150)**



Eliminator Reduced Port - Reduced Rating Approximate Dimensions - inches

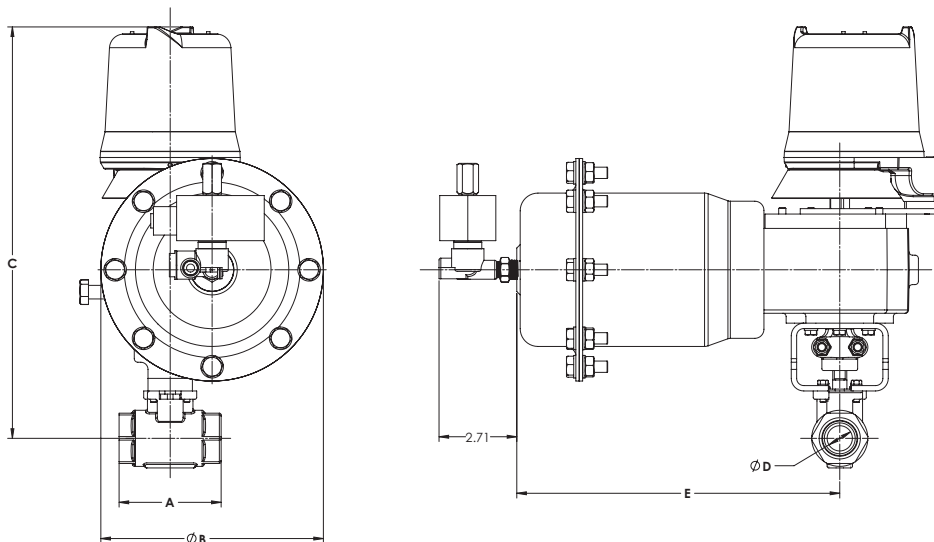
Valve Size inches	NPT	A	B	C	D	E	F	Weight lbs	Actuator
1/4	2.16	6.04	12.24	0.43	1.91	3.33	9	VPVL100SR4/5	
3/8	2.16	6.04	12.24	0.43	1.91	3.33	9	VPVL100SR4/5	
1/2	2.62	6.04	12.24	0.50	1.91	3.33	9	VPVL100SR4/5	
3/4	3.00	6.04	12.40	0.69	1.91	3.33	10	VPVL100SR4/5	
1	3.55	8.01	13.95	0.88	1.99	3.66	14	VPVL200SR4/5	
1-1/4	4.00	8.01	14.08	1.00	1.99	3.66	15	VPVL200SR4/5	
1-1/2	4.38	9.49	15.28	1.23	2.22	4.06	20	VPVL250SR4/5	
2	5.50	10.20	15.93	1.50	2.48	4.67	26	VPVL300SR4/5	

Eliminator Reduced Port - Reduced Rating Approximate Dimensions - mm

Valve Size DN	NPT	A	B	C	D	E	F	Weight kg	Actuator
8	54.9	153.4	311.0	10.9	48.5	84.6	4	VPVL100SR4/5	
10	54.9	153.4	311.0	10.9	48.5	84.6	4	VPVL100SR4/5	
15	66.5	153.4	311.0	12.7	48.5	84.6	4	VPVL100SR4/5	
20	76.2	153.4	315.0	17.5	48.5	84.6	5	VPVL100SR4/5	
25	90.2	203.5	354.2	22.4	50.5	93.0	7	VPVL200SR4/5	
32	101.6	203.5	357.5	25.4	50.5	93.0	7	VPVL200SR4/5	
40	111.3	241.0	388.0	31.2	56.5	103.1	9	VPVL250SR4/5	
50	139.7	259.1	404.5	38.1	63.0	118.6	12	VPVL300SR4/5	

DIMENSIONS

1/4" - 2" (DN8 - 50) Reduced Port Eliminator Screwed End Valves with Quadra-Powr Spring Diaphragm Actuator, Full Rating and Reduced Rating (Equal to ASME Class 150)



Eliminator Reduced Port - Full Rating Approximate Dimensions - inches

Valve Size inches	NPT	B	C	D	E	Weight lbs	Actuator
	A						
1/4	2.16	7.75	13.72	0.43	11.26	90	QPX1C/M
3/8	2.16	7.75	13.72	0.43	11.26	90	QPX1C/M
1/2	2.62	7.75	13.72	0.50	11.26	90	QPX1C/M
3/4	3.00	7.75	13.88	0.69	11.26	91	QPX1C/M
1	3.55	7.75	14.36	0.88	11.26	92	QPX1C/M
1-1/4	4.00	7.75	14.49	1.00	11.26	93	QPX1C/M
1-1/2	4.38	8.98	15.19	1.23	13.35	101	QPX2C/M
2	5.50	10.79	16.00	1.50	15.78	112	QPX3C/M

Eliminator Reduced Port - Full Rating Approximate Dimensions - mm

Valve Size DN	NPT	B	C	D	E	Weight kg	Actuator
	A						
8	54.9	196.9	348.5	10.9	286.0	41	QPX1C/M
10	54.9	196.9	348.5	10.9	286.0	41	QPX1C/M
15	66.5	196.9	348.5	12.7	286.0	41	QPX1C/M
20	76.2	196.9	352.6	17.5	286.0	41	QPX1C/M
25	90.2	196.9	364.8	22.4	286.0	42	QPX1C/M
32	101.6	196.9	368.1	25.4	286.0	42	QPX1C/M
40	111.3	228.1	385.7	31.2	339.1	46	QPX2C/M
50	139.7	274.1	406.4	38.1	400.8	51	QPX3C/M

DIMENSIONS

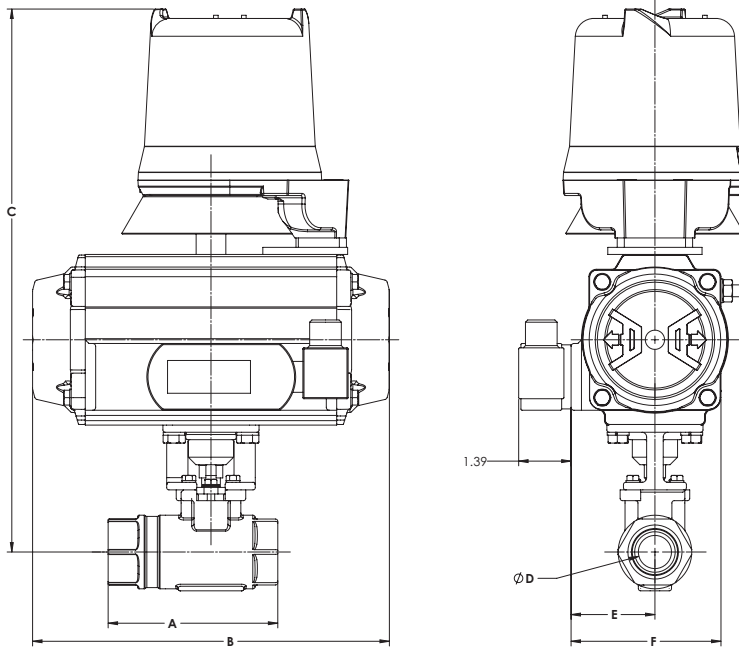
1/4" - 2" (DN8 - 50) Reduced Port Eliminator Screwed End Valves with *Quadra-Powr* Spring Diaphragm Actuator, Full Rating and Reduced Rating (Equal to ASME Class 150)

Eliminator Reduced Port - Reduced Rating Approximate Dimensions - inches							
Valve Size inches	NPT	B	C	D	E	Weight lbs	Actuator
	A						
1/4	2.16	7.75	13.72	0.43	11.26	90	QPX1C/M
3/8	2.16	7.75	13.72	0.43	11.26	90	QPX1C/M
1/2	2.62	7.75	13.72	0.50	11.26	90	QPX1C/M
3/4	3.00	7.75	13.88	0.69	11.26	91	QPX1C/M
1	3.55	7.75	14.36	0.88	11.26	92	QPX1C/M
1-1/4	4.00	7.75	14.49	1.00	11.26	93	QPX1C/M
1-1/2	4.38	8.98	15.19	1.23	13.35	101	QPX2C/M
2	5.50	8.98	15.37	1.50	13.35	103	QPX2C/M

Eliminator Reduced Port - Reduced Rating Approximate Dimensions - mm							
Valve Size DN	NPT	B	C	D	E	Weight kg	Actuator
	A						
8	54.9	196.9	348.5	10.9	286.0	41	QPX1C/M
10	54.9	196.9	348.5	10.9	286.0	41	QPX1C/M
15	66.5	196.9	348.5	12.7	286.0	41	QPX1C/M
20	76.2	196.9	352.6	17.5	286.0	41	QPX1C/M
25	90.2	196.9	364.8	22.4	286.0	42	QPX1C/M
32	101.6	196.9	368.1	25.4	286.0	42	QPX1C/M
40	111.3	228.1	385.7	31.2	339.1	46	QPX2C/M
50	139.7	228.1	390.3	38.1	339.1	47	QPX2C/M

DIMENSIONS

1/4" - 2" (DN8 - 50) Reduced Port A-Style Screwed End Valves with Valv-Powr Spring-Return Actuator, Full Rating



A-Style Reduced Port - Full Rating Approximate Dimensions - inches

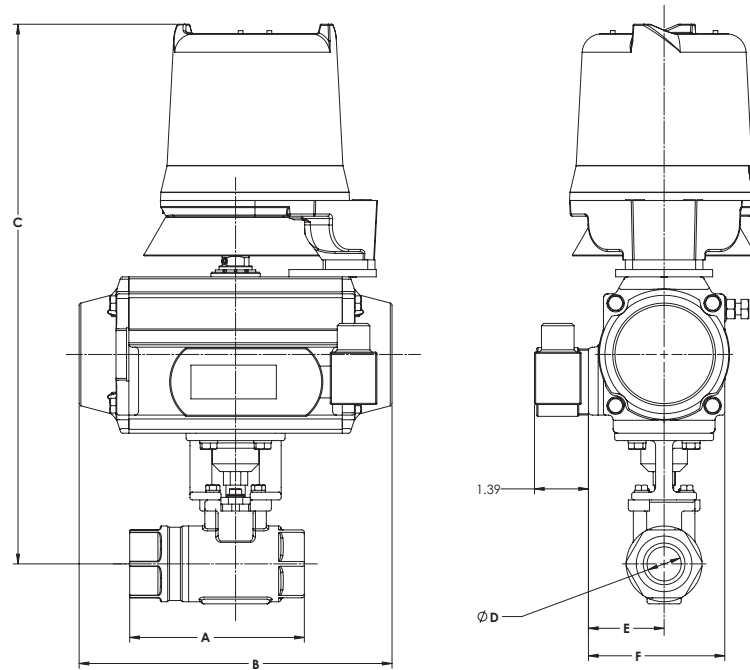
Valve Size inches	NPT						Weight lbs	Actuator
	A	B	C	D	E	F		
1/4	2.94	6.04	12.24	0.43	1.91	3.33	10	VPVL100SR4/5
3/8	2.94	6.04	12.24	0.43	1.91	3.33	10	VPVL100SR4/5
1/2	3.44	6.04	12.24	0.50	1.91	3.33	10	VPVL100SR4/5
3/4	3.81	8.01	13.07	0.69	1.99	3.66	14	VPVL200SR4/5
1	4.50	9.49	14.46	0.88	2.22	4.06	18	VPVL250SR4/5
1-1/4	4.44	11.97	16.14	1.00	2.83	5.39	30	VPVL350SR4/5
1-1/2	4.56	13.11	17.19	1.23	3.03	5.79	38	VPVL400SR4/5
2	5.00	15.553	18.16	1.50	3.39	6.54	52	VPVL450SR4/5

A-Style Reduced Port - Full Rating Approximate Dimensions - mm

Valve Size DN	NPT						Weight kg	Actuator
	A	B	C	D	E	F		
8	74.7	153.4	311.0	10.9	48.5	84.6	4	VPVL100SR4/5
10	74.7	153.4	311.0	10.9	48.5	84.6	4	VPVL100SR4/5
15	87.4	153.4	311.0	12.7	48.5	84.6	4	VPVL100SR4/5
20	96.8	203.5	332.1	17.5	50.5	93.0	6	VPVL200SR4/5
25	114.3	241.0	367.2	22.4	56.5	103.1	8	VPVL250SR4/5
32	112.8	304.0	41.0	25.4	72.0	136.9	13	VPVL350SR4/5
40	115.8	333.0	436.7	31.2	77.0	147.1	17	VPVL400SR4/5
50	127.0	394.5	461.3	38.1	86.0	166.1	24	VPVL450SR4/5

DIMENSIONS

**1/4" - 2" (DN8 - 50) Reduced Port A-Style Screwed End Valves
with Valv-Powr Spring-Return Actuator, Reduced Rating (Equal to ASME Class 150)**



A-Style Reduced Port - Reduced Rating Approximate Dimensions - inches

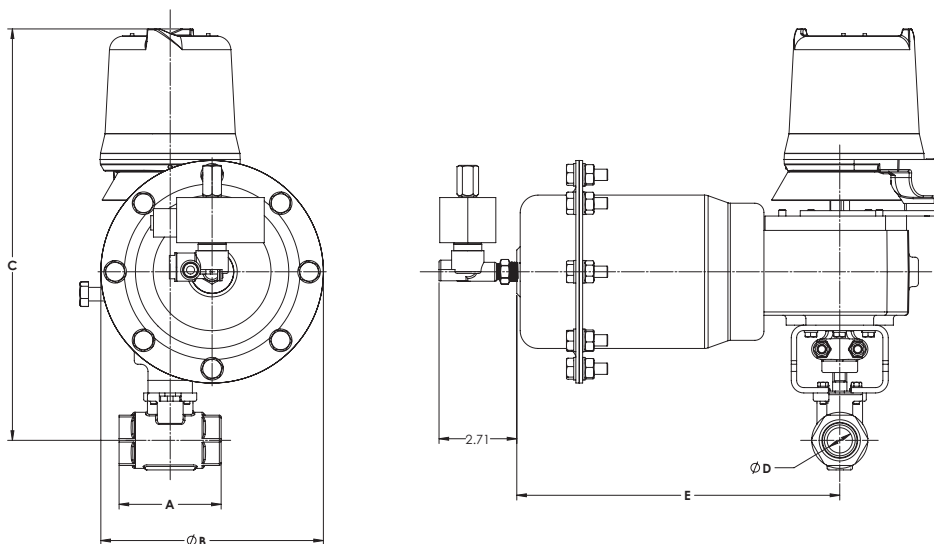
Valve Size inches	NPT	B	C	D	E	F	Weight lbs	Actuator
	A							
1/4	2.94	6.04	12.24	0.43	1.91	3.33	10	VPVL100SR4/5
3/8	2.94	6.04	12.24	0.43	1.91	3.33	10	VPVL100SR4/5
1/2	3.44	6.04	12.24	0.50	1.91	3.33	10	VPVL100SR4/5
3/4	3.81	6.04	12.40	0.69	1.91	3.33	11	VPVL100SR4/5
1	4.50	8.01	13.95	0.88	1.99	3.66	15	VPVL200SR4/5
1-1/4	4.44	8.01	14.08	1.00	1.99	3.66	15	VPVL200SR4/5
1-1/2	4.56	9.49	15.28	1.23	2.22	4.06	20	VPVL250SR4/5
2	5.00	10.20	15.93	1.50	2.48	4.67	25	VPVL300SR4/5

A-Style Reduced Port - Reduced Rating Approximate Dimensions - mm

Valve Size DN	NPT	B	C	D	E	F	Weight kg	Actuator
	A							
8	74.7	153.4	311.0	10.9	48.5	84.6	4	VPVL100SR4/5
10	74.7	153.4	311.0	10.9	48.5	84.6	4	VPVL100SR4/5
15	87.4	153.4	311.0	12.7	48.5	84.6	4	VPVL100SR4/5
20	96.8	153.4	315.0	17.5	48.5	84.6	5	VPVL100SR4/5
25	114.3	203.5	354.2	22.4	50.5	93.0	7	VPVL200SR4/5
32	112.8	203.5	357.5	25.4	50.5	93.0	7	VPVL200SR4/5
40	115.8	241.0	388.0	31.2	56.5	103.1	9	VPVL250SR4/5
50	127.0	259.1	404.5	38.1	63.0	118.6	11	VPVL300SR4/5

DIMENSIONS

**1/4" - 2" (DN8 - 50) Reduced Port A-Style Screwed End Valves
with Quadra-Powr Spring Diaphragm Actuator, Full Rating and Reduced Rating (Equal to ASME Class 150)**



A-Style Reduced Port - Full Rating Approximate Dimensions - inches

Valve Size inches	NPT	B	C	D	E	Weight lbs	Actuator
	A						
1/4	2.94	7.75	13.72	0.43	11.26	91	QPX1C/M
3/8	2.94	7.75	13.72	0.43	11.26	91	QPX1C/M
1/2	3.44	7.75	13.72	0.50	11.26	91	QPX1C/M
3/4	3.81	7.75	13.88	0.69	11.26	92	QPX1C/M
1	4.50	7.75	14.36	0.88	11.26	93	QPX1C/M
1-1/4	4.44	7.75	14.49	1.00	11.26	93	QPX1C/M
1-1/2	4.56	8.98	15.19	1.23	13.35	101	QPX2C/M
2	5.50	10.79	16.00	1.50	15.78	112	QPX3C/M

A-Style Reduced Port - Full Rating Approximate Dimensions - mm

Valve Size DN	NPT	B	C	D	E	Weight kg	Actuator
	A						
8	74.7	196.9	348.5	10.9	286.0	41	QPX1C/M
10	74.7	196.9	348.5	10.9	286.0	41	QPX1C/M
15	87.4	196.9	348.5	12.7	286.0	41	QPX1C/M
20	96.8	196.9	352.6	17.5	286.0	42	QPX1C/M
25	114.3	196.9	364.8	22.4	286.0	42	QPX1C/M
32	112.8	196.9	368.1	25.4	286.0	42	QPX1C/M
40	115.8	228.1	385.7	31.2	339.1	46	QPX2C/M
50	127.0	274.1	406.4	38.1	400.8	51	QPX3C/M

DIMENSIONS

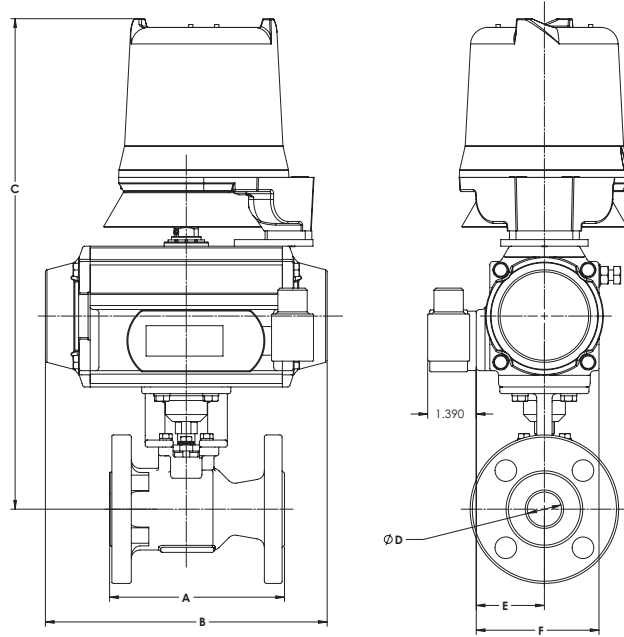
1/4" - 2" (DN8 - 50) Reduced Port A-Style Screwed End Valves with Quadra-Powr Spring Diaphragm Actuator, Full Rating and Reduced Rating (Equal to ASME Class 150)

A-Style Reduced Port - Full Rating Approximate Dimensions - inches							
Valve Size inches	NPT	B	C	D	E	Weight lbs	Actuator
	A						
1/4	2.94	7.75	13.72	0.43	11.26	91	QPX1C/M
3/8	2.94	7.75	13.72	0.43	11.26	91	QPX1C/M
1/2	3.44	7.75	13.72	0.50	11.26	91	QPX1C/M
3/4	3.81	7.75	13.88	0.69	11.26	92	QPX1C/M
1	4.50	7.75	14.36	0.88	11.26	93	QPX1C/M
1-1/4	4.44	7.75	14.49	1.00	11.26	93	QPX1C/M
1-1/2	4.56	8.98	15.19	1.23	13.35	101	QPX2C/M
2	5.00	8.98	15.37	1.50	13.35	103	QPX2C/M

A-Style Reduced Port - Full Rating Approximate Dimensions - mm							
Valve Size DN	NPT	B	C	D	E	Weight kg	Actuator
	A						
8	74.7	196.9	348.5	10.9	286.0	41	QPX1C/M
10	74.7	196.9	348.5	10.9	286.0	41	QPX1C/M
15	87.4	196.9	348.5	12.7	286.0	41	QPX1C/M
20	96.8	196.9	352.6	17.5	286.0	42	QPX1C/M
25	114.3	196.9	364.8	22.4	286.0	42	QPX1C/M
32	112.8	196.9	368.1	25.4	286.0	42	QPX1C/M
40	115.8	228.1	385.7	31.2	339.1	46	QPX2C/M
50	127.0	228.1	390.3	38.1	339.1	47	QPX2C/M

DIMENSIONS

1/2" - 2" (DN15 - 50) Series 7000 ASME Class 150 and 300 Reduced Port and 1/2" - 1-1/2" (DN15 - 40) Series 9000 ASME Class 150 and 300 Full Port Valves with *Valv-Powr* Spring-Return Actuator



Series 7150 Reduced Port Approximate Dimensions - inches

Valve Size inches	A	B	C	D	E	F	Weight lbs	Actuator
1/2	4.25	6.04	12.24	0.50	1.91	3.33	12	VPVL100SR4/5
3/4	4.63	6.04	12.40	0.69	1.91	3.33	13	VPVL100SR4/5
1	5.00	8.01	13.95	0.88	1.99	3.66	19	VPVL200SR4/5
1-1/2	6.50	9.49	15.28	1.25	2.22	4.06	26	VPVL250SR4/5
2	7.00	10.20	15.93	1.50	2.48	4.67	34	VPVL300SR4/5

Series 7150 Reduced Port Approximate Dimensions - mm

Valve Size DN	A	B	C	D	E	F	Valve Size kg	Actuator
15	107.95	153.42	310.97	12.70	48.50	84.58	5	VPVL100SR4/5
20	117.60	153.42	315.04	17.53	48.50	84.58	6	VPVL100SR4/5
25	127.00	203.45	354.23	22.35	50.50	92.96	9	VPVL200SR4/5
40	165.10	241.05	387.99	31.75	56.50	103.12	12	VPVL250SR4/5
50	177.80	259.08	404.50	38.10	63.00	118.62	16	VPVL300SR4/5

Series 7300 Reduced Port Approximate Dimensions - inches

Valve Size inches	A	B	C	D	E	F	Weight lbs	Actuator
1/2	5.50	6.04	12.24	0.50	1.91	3.33	14	VPVL100SR4/5
3/4	6.00	6.04	12.40	0.69	1.91	3.33	16	VPVL100SR4/5
1	6.50	8.01	13.95	0.88	1.99	3.66	21	VPVL200SR4/5
1-1/2	7.50	10.20	15.75	1.25	2.48	4.67	34	VPVL250SR4/5
2	8.50	11.97	16.90	1.50	2.83	5.39	49	VPVL300SR4/5

Series 7300 Reduced Port Approximate Dimensions - mm

Valve Size DN	A	B	C	D	E	F	Valve Size kg	Actuator
15	139.70	153.42	310.97	12.70	48.50	84.58	6	VPVL100SR4/5
20	152.40	153.42	315.04	17.53	48.50	84.58	7	VPVL100SR4/5
25	165.10	203.45	354.23	22.35	50.50	92.96	10	VPVL200SR4/5
40	190.50	259.08	399.92	31.75	63.00	118.62	16	VPVL250SR4/5
50	215.90	304.04	429.31	38.10	72.00	136.91	22	VPVL300SR4/5

DIMENSIONS

1/2" - 2" (DN15 - 50) Series 7000 ASME Class 150 and 300 Reduced Port and 1/2" - 1-1/2" (DN15 - 40) Series 9000 ASME Class 150 and 300 Full Port Valves with *Valv-Powr* Spring-Return Actuator

Series 730S Reduced Port Approximate Dimensions - inches								
Valve Size inches	A	B	C	D	E	F	Weight lbs	Actuator
1/2	4.25	6.04	12.24	0.50	1.91	3.33	13	VPVL100SR4/5
3/4	4.63	6.04	12.40	0.69	1.91	3.33	16	VPVL100SR4/5
1	5.00	8.01	13.95	0.88	1.99	3.66	21	VPVL200SR4/5
1-1/2	6.50	10.20	15.75	1.25	2.48	4.67	36	VPVL300SR4/5
2	7.00	11.97	16.90	1.50	2.83	5.39	48	VPVL350SR4/5

Series 730S Reduced Port Approximate Dimensions - mm								
Valve Size DN	A	B	C	D	E	F	Valve Size kg	Actuator
15	107.95	153.42	310.97	12.70	48.50	84.58	6	VPVL100SR4/5
20	117.60	153.42	315.04	17.53	48.50	84.58	7	VPVL100SR4/5
25	127.00	203.45	354.23	22.35	50.50	92.96	10	VPVL200SR4/5
40	165.10	259.08	399.92	31.75	63.00	118.62	16	VPVL300SR4/5
50	177.80	304.04	429.31	38.10	72.00	136.91	22	VPVL350SR4/5

Series 9150 Full Port Approximate Dimensions - inches								
Valve Size inches	A	B	C	D	E	F	Weight lbs	Actuator
1/2	4.25	6.04	12.24	0.50	1.91	3.33	12	VPVL100SR4/5
3/4	4.63	8.01	13.95	0.88	1.99	3.66	21	VPVL200SR4/5
1	5.00	8.01	14.08	1.00	1.99	3.66	24	VPVL200SR4/5
1-1/2	6.50	10.20	16.19	1.50	2.48	4.67	37	VPVL300SR4/5

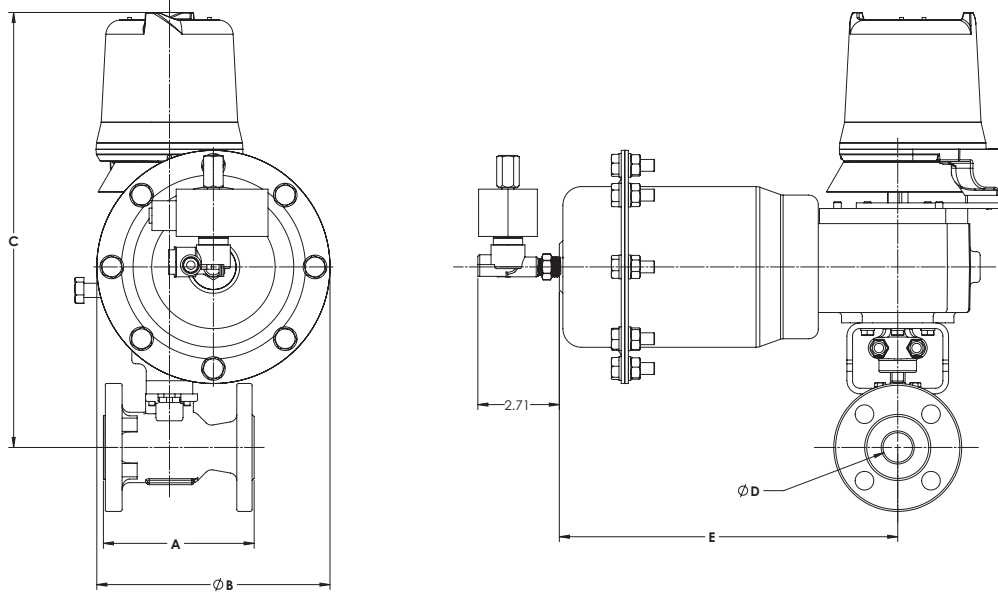
Series 9150 Full Port Approximate Dimensions - mm								
Valve Size DN	A	B	C	D	E	F	Valve Size kg	Actuator
15	107.95	153.42	310.97	12.70	48.50	84.58	5	VPVL100SR4/5
20	117.60	203.45	354.23	22.35	50.50	92.96	10	VPVL200SR4/5
25	127.00	203.45	357.53	25.40	50.50	92.96	11	VPVL200SR4/5
40	165.10	259.08	411.28	38.10	63.00	118.62	17	VPVL300SR4/5

Series 9300 Full Port Approximate Dimensions - inches								
Valve Size inches	A	B	C	D	E	F	Weight lbs	Actuator
1/2	5.50	6.04	12.24	0.50	1.91	3.33	14	VPVL100SR4/5
3/4	6.00	8.01	13.95	0.88	1.99	3.66	24	VPVL200SR4/5
1	6.50	9.49	14.59	1.00	2.22	4.06	31	VPVL250SR4/5
1-1/2	7.50	11.97	16.90	1.50	2.83	5.39	49	VPVL350SR4/5

Series 9300 Full Port Approximate Dimensions - mm								
Valve Size DN	A	B	C	D	E	F	Valve Size kg	Actuator
15	193.70	153.42	310.97	12.70	48.50	84.58	6	VPVL100SR4/5
20	152.40	203.45	354.23	22.35	50.50	92.96	11	VPVL200SR4/5
25	165.10	241.05	370.48	25.40	56.50	103.12	14	VPVL250SR4/5
40	190.50	304.04	429.31	38.10	72.00	136.91	22	VPVL350SR4/5

DIMENSIONS

1/2" - 2" (DN15 - 50) Series 7000 ASME Class 150 and 300 Reduced Port and 1/2" - 1-1/2" (DN15 - 40) Series 9000 ASME Class 150 and 300 Full Port Valves with Quadra-Powr Spring Diaphragm Actuator



Series 7150 Reduced Port Approximate Dimensions - inches							
Valve Size inches	A	B	C	D	E	Weight lbs	Actuator
1/2	4.25	7.75	13.72	0.50	11.26	93	QPX1C/M
3/4	4.63	7.75	13.88	0.69	11.26	94	QPX1C/M
1	5.00	7.75	14.36	0.88	11.26	97	QPX1C/M
1-1/2	6.50	8.98	15.19	1.25	13.35	107	QPX2C/M
2	7.00	8.98	15.37	1.50	13.35	112	QPX2C/M

Series 7150 Reduced Port Approximate Dimensions - mm							
Valve Size DN	A	B	C	D	E	Valve Size kg	Actuator
15	107.95	196.85	348.50	12.70	286.00	42	QPX1C/M
20	117.60	196.85	352.57	17.53	286.00	43	QPX1C/M
25	127.00	196.85	364.82	22.35	286.00	44	QPX1C/M
40	165.10	228.09	385.75	31.75	339.09	49	QPX2C/M
50	177.80	228.09	390.32	38.10	339.09	51	QPX2C/M

Series 7300 Reduced Port Approximate Dimensions - inches							
Valve Size inches	A	B	C	D	E	Weight lbs	Actuator
1/2	5.50	7.75	13.72	0.50	11.26	95	QPX1C/M
3/4	6.00	7.75	13.88	0.69	11.26	97	QPX1C/M
1	6.50	7.75	14.36	0.88	11.26	99	QPX1C/M
1-1/2	7.50	8.98	15.19	1.25	13.35	112	QPX2C/M
2	8.50	8.98	15.37	1.50	13.35	118	QPX2C/M

Series 7300 Reduced Port Approximate Dimensions - mm							
Valve Size DN	A	B	C	D	E	Valve Size kg	Actuator
15	139.70	196.85	348.50	12.70	286.00	43	QPX1C/M
20	152.40	196.85	352.57	17.53	286.00	44	QPX1C/M
25	165.10	196.85	364.82	22.35	286.00	45	QPX1C/M
40	190.50	228.09	385.75	31.75	339.09	51	QPX2C/M
50	215.90	228.09	390.32	38.10	339.09	53	QPX2C/M

DIMENSIONS

1/2" - 2" (DN15 - 50) Series 7000 ASME Class 150 and 300 Reduced Port and 1/2" - 1-1/2" (DN15 - 40) Series 9000 ASME Class 150 and 300 Full Port Valves with Quadra-Powr Spring Diaphragm Actuator

Series 730S Reduced Port Approximate Dimensions - inches							
Valve Size inches	A	B	C	D	E	Weight lbs	Actuator
1/2	4.25	7.75	13.72	0.50	11.26	94	QPX1C/M
3/4	4.63	7.75	13.88	0.69	11.26	97	QPX1C/M
1	5.00	7.75	14.36	0.88	11.26	99	QPX1C/M
1-1/2	6.50	8.98	15.19	1.25	13.35	113	QPX2C/M
2	7.00	8.98	15.37	1.50	13.35	117	QPX2C/M

Series 730S Reduced Port Approximate Dimensions - mm							
Valve Size DN	A	B	C	D	E	Valve Size kg	Actuator
15	107.95	196.85	348.50	12.70	286.00	43	QPX1C/M
20	117.60	196.85	352.57	17.53	286.00	44	QPX1C/M
25	127.00	196.85	364.82	22.35	286.00	45	QPX1C/M
40	165.10	228.09	385.75	31.75	339.09	51	QPX2C/M
50	177.80	228.09	390.32	38.10	339.09	53	QPX2C/M

Series 9150 Full Port Approximate Dimensions - inches							
Valve Size inches	A	B	C	D	E	Weight lbs	Actuator
1/2	4.25	7.75	13.72	0.50	11.26	93	QPX1C/M
3/4	4.63	7.75	14.31	0.88	11.26	99	QPX1C/M
1	5.00	7.75	14.49	1.00	11.26	102	QPX1C/M
1-1/2	6.50	8.98	15.37	1.50	13.35	113	QPX2C/M

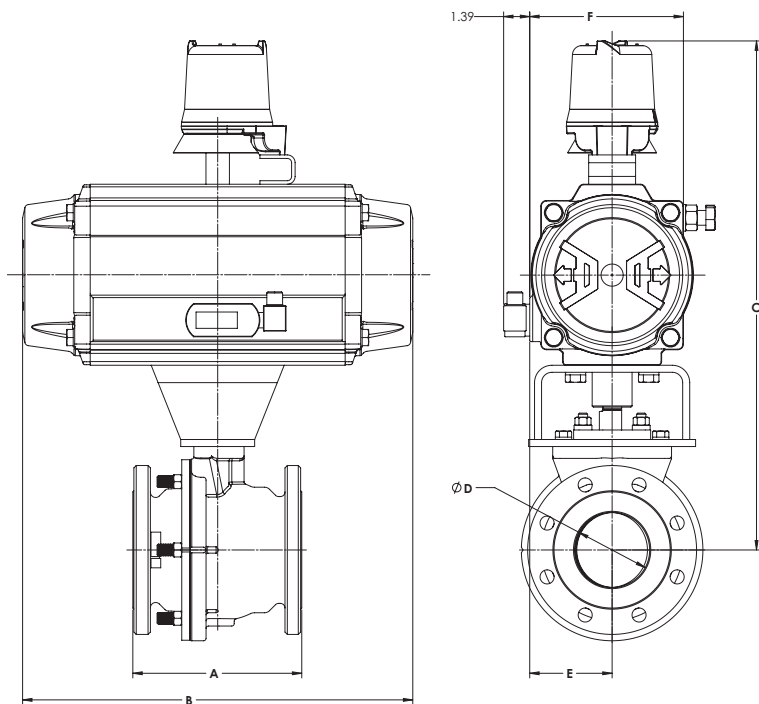
Series 9150 Full Port Approximate Dimensions - mm							
Valve Size DN	A	B	C	D	E	Valve Size kg	Actuator
15	107.95	196.85	348.50	12.70	286.00	42	QPX1C/M
20	117.60	196.85	363.49	22.35	286.00	45	QPX1C/M
25	127.00	196.85	368.12	25.40	286.00	46	QPX1C/M
40	165.10	228.09	390.32	38.10	339.09	51	QPX2C/M

Series 9300 Full Port Approximate Dimensions - inches							
Valve Size inches	A	B	C	D	E	Weight lbs	Actuator
1/2	5.50	7.75	13.72	0.50	11.26	95	QPX1C/M
3/4	6.00	7.75	14.31	0.88	11.26	102	QPX1C/M
1	6.50	7.75	14.49	1.00	11.26	106	QPX1C/M
1-1/2	7.50	8.98	15.37	1.50	13.35	118	QPX2C/M

Series 9300 Full Port Approximate Dimensions - mm							
Valve Size DN	A	B	C	D	E	Valve Size kg	Actuator
15	139.70	196.85	348.50	12.70	286.00	43	QPX1C/M
20	152.40	196.85	363.49	22.35	286.00	46	QPX1C/M
25	165.10	196.85	368.12	25.40	286.00	48	QPX1C/M
40	190.50	228.09	390.32	38.10	339.09	53	QPX2C/M

DIMENSIONS

3" - 6" (DN80 - 150) Series 7000 ASME Class 150 and 300 Reduced Port Valves with Valv-Powr Spring-Return Actuator



Series 7150 Reduced Port Approximate Dimensions - inches

Valve Size inches	A	B	C	D	E	F	Weight lbs	Actuator
3	8.00	13.11	13.92	2.31	3.03	5.79	74	VPVL400SR4/5
4	9.00	15.53	14.41	3.00	3.39	6.54	112	VPVL450SR4/5
6	10.50	20.79	17.52	4.00	4.39	8.58	232	VPVL600SR4/5

Series 7150 Reduced Port Approximate Dimensions - mm

Valve Size DN	A	B	C	D	E	F	Valve Size kg	Actuator
80	203.20	332.99	353.44	58.67	77.00	147.07	34	VPVL400SR4/5
100	228.60	394.46	365.89	76.20	86.00	166.12	51	VPVL450SR4/5
150	266.70	528.07	445.11	101.60	111.50	217.93	105	VPVL600SR4/5

Series 7300 Reduced Port Approximate Dimensions - inches

Valve Size inches	A	B	C	D	E	F	Weight lbs	Actuator
3	11.12	13.11	13.92	2.31	3.03	5.79	94	VPVL400SR4/5
4	12.00	15.53	15.94	3.00	3.39	6.54	147	VPVL450SR4/5
6	15.88	20.79	18.07	4.00	4.39	8.58	300	VPVL600SR4/5

Series 7300 Reduced Port Approximate Dimensions - mm

Valve Size DN	A	B	C	D	E	F	Valve Size kg	Actuator
80	282.45	332.99	353.44	58.67	77.00	147.07	43	VPVL400SR4/5
100	304.80	394.46	404.95	76.20	86.00	166.12	67	VPVL450SR4/5
150	403.35	528.07	458.93	101.60	111.50	217.93	136	VPVL600SR4/5

DIMENSIONS

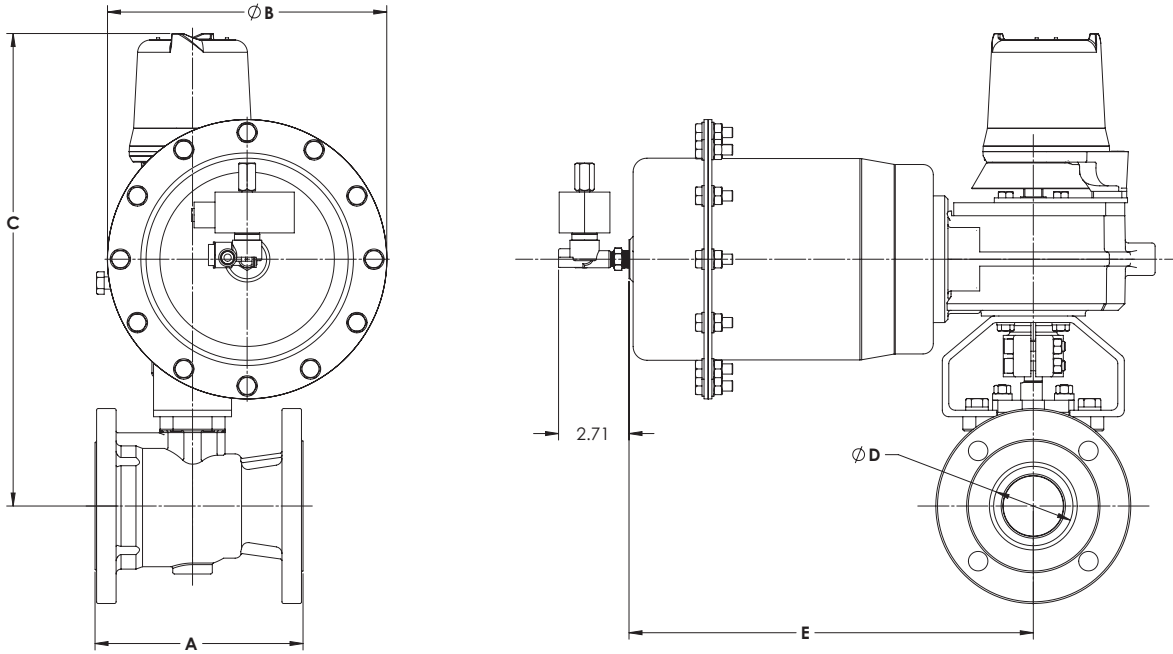
3" - 6" (DN80 - 150) Series 7000 ASME Class 150 and 300 Reduced Port Valves with *Valv-Powr* Spring-Return Actuator

Series 730S Reduced Port Approximate Dimensions - inches								
Valve Size inches	A	B	C	D	E	F	Weight lbs	Actuator
3	8.00	13.11	13.92	2.31	3.03	5.79	87	VPVL400SR4/5
4	9.00	15.53	15.94	3.00	3.39	6.54	138	VPVL450SR4/5
6	10.50	20.79	18.07	4.00	4.39	8.58	266	VPVL600SR4/5

Series 730S Reduced Port Approximate Dimensions - mm								
Valve Size DN	A	B	C	D	E	F	Valve Size kg	Actuator
80	203.20	332.99	353.44	58.67	77.00	147.07	40	VPVL400SR4/5
100	228.60	394.46	404.95	76.20	86.00	166.12	63	VPVL450SR4/5
150	266.70	528.07	458.93	101.60	111.50	217.93	121	VPVL600SR4/5

DIMENSIONS

3" - 6" (DN80 - 150) Series 7000 ASME Class 150 and 300 Reduced Port Valves with Quadra-Powr Spring Diaphragm Actuator



Series 7150 Full Port Approximate Dimensions - inches							
Valve Size inches	A	B	C	D	E	Weight lbs	Actuator
3	8.00	10.79	18.37	2.31	15.78	145	QPX3C/M
4	9.00	12.60	20.86	3.00	17.80	195	QPX4C/M
6	10.50	12.60	22.94	4.00	17.80	256	QPX4C/M

Series 7150 Full Port Approximate Dimensions - mm							
Valve Size DN	A	B	C	D	E	Valve Size kg	Actuator
80	203.20	274.07	466.69	58.67	400.81	66	QPX3C/M
100	228.60	320.04	529.91	76.20	452.12	89	QPX4C/M
150	266.70	320.04	582.74	101.60	452.12	116	QPX4C/M

Series 7300 Full Port Approximate Dimensions - inches							
Valve Size inches	A	B	C	D	E	Weight lbs	Actuator
3	11.12	10.79	18.37	2.31	15.78	165	QPX3C/M
4	12.00	12.60	22.63	3.00	17.80	229	QPX4C/M
6	15.88	12.60	23.09	4.00	17.80	326	QPX4C/M

Series 7300 Full Port Approximate Dimensions - mm							
Valve Size DN	A	B	C	D	E	Valve Size kg	Actuator
80	282.45	274.07	466.69	58.67	400.81	75	QPX3C/M
100	304.80	320.04	574.84	76.20	452.12	104	QPX4C/M
150	403.35	320.04	586.55	101.60	452.12	148	QPX4C/M

DIMENSIONS

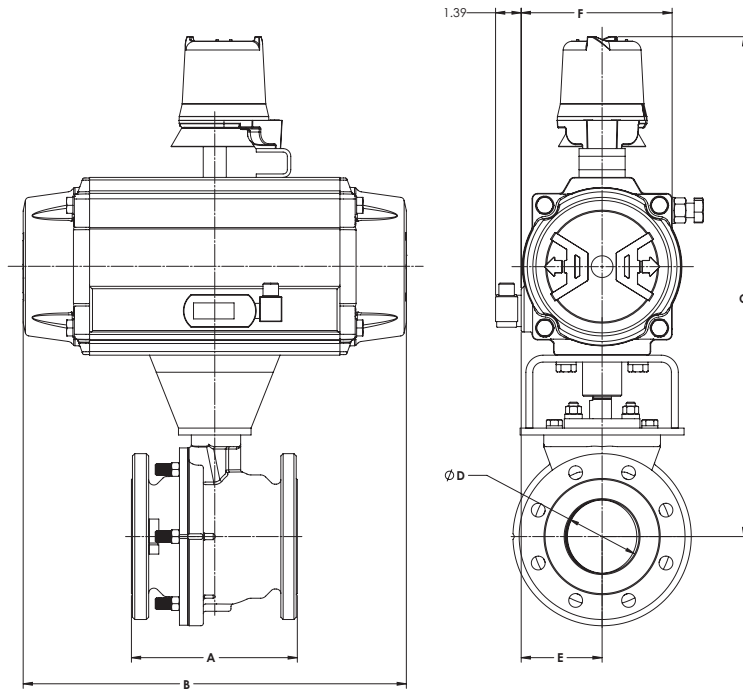
3" - 6" (DN80 - 150) Series 7000 ASME Class 150 and 300 Reduced Port Valves with *Quadra-Powr* Spring Diaphragm Actuator

Series 730S Full Port Approximate Dimensions - inches							
Valve Size inches	A	B	C	D	E	Weight lbs	Actuator
3	8.00	10.79	18.37	2.31	15.78	158	QPX3C/M
4	9.00	12.60	22.63	3.00	17.80	220	QPX4C/M
6	10.50	12.60	23.09	4.00	17.80	292	QPX4C/M

Series 730S Full Port Approximate Dimensions - mm							
Valve Size DN	A	B	C	D	E	Valve Size kg	Actuator
80	203.20	274.07	466.69	58.67	400.81	72	QPX3C/M
100	228.60	320.04	574.84	76.20	452.12	100	QPX4C/M
150	266.70	320.04	586.55	101.60	452.12	133	QPX4C/M

DIMENSIONS

2" - 4" (DN50 - 100) Series 9000 ASME Class 150 and 300 Full Port Valves with Valv-Powr Spring-Return Actuator



Series 9150 Full Port Approximate Dimensions - inches								
Valve Size inches	A	B	C	D	E	F	Weight lbs	Actuator
3	7.00	11.97	13.57	2.00	2.83	5.39	59	VPVL350SR4/5
4	8.00	15.53	14.38	3.00	3.39	6.54	98	VPVL450SR4/5
6	9.00	20.79	17.52	4.00	4.39	8.58	197	VPVL600SR4/5

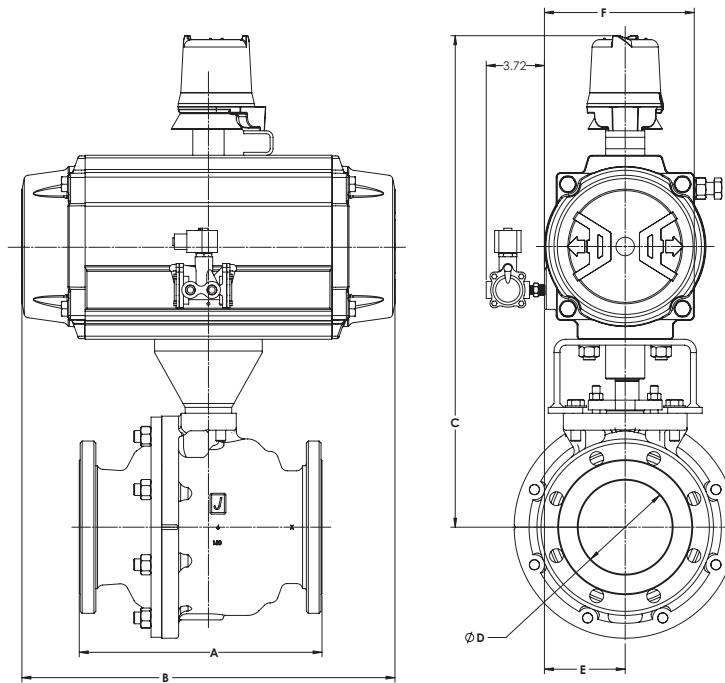
Series 9150 Full Port Approximate Dimensions - mm								
Valve Size DN	A	B	C	D	E	F	Valve Size kg	Actuator
80	177.80	304.04	344.55	50.80	72.00	136.91	27	VPVL350SR4/5
100	203.20	394.46	365.13	76.20	86.00	166.12	45	VPVL450SR4/5
150	228.60	528.07	445.11	101.60	111.50	217.93	89	VPVL600SR4/5

Series 9300 Full Port Approximate Dimensions - inches								
Valve Size inches	A	B	C	D	E	F	Weight lbs	Actuator
3	8.50	11.97	13.57	2.00	2.83	5.39	67	VPVL350SR4/5
4	11.12	15.53	15.95	3.00	3.39	6.54	128	VPVL450SR4/5
6	12.00	20.79	18.07	4.00	4.39	8.58	242	VPVL600SR4/5

Series 9300 Full Port Approximate Dimensions - mm								
Valve Size DN	A	B	C	D	E	F	Valve Size kg	Actuator
80	215.90	304.04	344.55	50.80	72.00	136.91	30	VPVL350SR4/5
100	282.45	394.46	405.21	76.20	86.00	166.12	58	VPVL450SR4/5
150	304.80	528.07	458.93	101.60	111.50	217.93	110	VPVL600SR4/5

DIMENSIONS

**8" (DN200) Series 7000 ASME Class 150 and 300 Reduced Port and
6" (DN150) Series 9000 ASME Class 150 and 300 Full Port Valves with Valv-Powr Spring-Return Actuator**



Series 7150 Reduced Port Approximate Dimensions - inches								
Valve Size inches	A	B	C	D	E	F	Weight lbs	Actuator
8	11.50	23.82	19.68	6.00	5.16	10.16	415	VPVL650SR4/5
8	11.50	27.95	19.68	6.00	5.51	12.56	471	VPVL700SR4/5

Series 7150 Reduced Port Approximate Dimensions - mm								
Valve Size DN	A	B	C	D	E	F	Valve Size kg	Actuator
200	292.10	605.03	499.82	152.40	131.00	258.06	188	VPVL650SR4/5
200	292.10	709.93	499.82	152.40	140.00	319.02	214	VPVL700SR4/5

Series 7300 Reduced Port Approximate Dimensions - inches								
Valve Size inches	A	B	C	D	E	F	Weight lbs	Actuator
8	16.50	23.82	21.67	6.00	5.16	10.16	522	VPVL650SR4/5
8	16.50	27.95	21.67	6.00	5.51	12.56	579	VPVL700SR4/5

Series 7300 Reduced Port Approximate Dimensions - mm								
Valve Size DN	A	B	C	D	E	F	Valve Size kg	Actuator
200	419.10	605.03	550.32	152.40	131.00	258.06	237	VPVL650SR4/5
200	419.10	709.93	550.32	152.40	140.00	319.02	263	VPVL700SR4/5

Series 730S Reduced Port Approximate Dimensions - inches								
Valve Size inches	A	B	C	D	E	F	Weight lbs	Actuator
8	11.50	23.82	21.67	6.00	5.16	10.16	509	VPVL650SR4/5
8	11.50	27.95	21.67	6.00	5.51	12.56	566	VPVL700SR4/5

Series 730S Reduced Port Approximate Dimensions - mm								
Valve Size DN	A	B	C	D	E	F	Valve Size kg	Actuator
200	292.10	605.03	550.32	152.40	131.00	258.06	231	VPVL650SR4/5
200	292.10	709.93	550.32	152.40	140.00	319.02	257	VPVL700SR4/5

DIMENSIONS

8" (DN200) Series 7000 ASME Class 150 and 300 Reduced Port and 6" (DN150) Series 9000 ASME Class 150 and 300 Full Port Valves with *Valv-Powr* Spring-Return Actuator

Series 9150 Full Port Approximate Dimensions - inches								
Valve Size inches	A	B	C	D	E	F	Weight lbs	Actuator
6	10.50	23.82	19.69	6.00	5.16	10.16	409	VPVL650SR4/5
6	10.50	27.95	19.69	6.00	5.51	12.56	465	VPVL700SR4/5

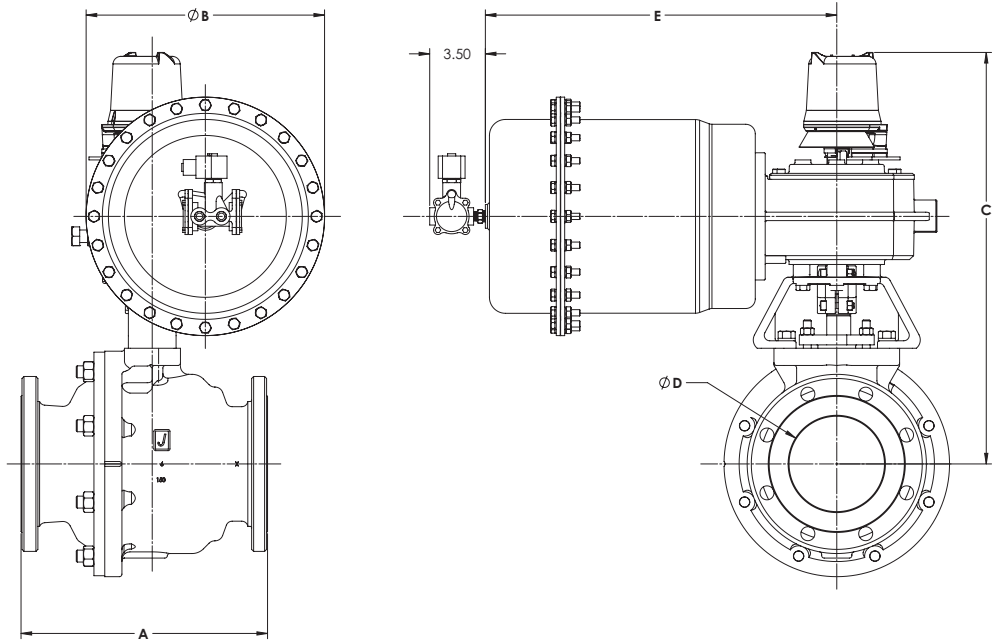
Series 9150 Full Port Approximate Dimensions - mm								
Valve Size DN	A	B	C	D	E	F	Valve Size kg	Actuator
150	266.70	605.03	500.08	152.40	131.00	258.06	185	VPVL650SR4/5
150	266.70	709.93	500.08	152.40	140.00	319.02	211	VPVL700SR4/5

Series 9300 Full Port Approximate Dimensions - inches								
Valve Size inches	A	B	C	D	E	F	Weight lbs	Actuator
6	15.88	23.82	21.67	6.00	5.16	10.16	509	VPVL650SR4/5
6	15.88	27.95	21.67	6.00	5.51	12.56	566	VPVL700SR4/5

Series 9300 Full Port Approximate Dimensions - mm								
Valve Size DN	A	B	C	D	E	F	Valve Size kg	Actuator
150	403.35	605.03	550.32	152.40	131.00	258.06	231	VPVL650SR4/5
150	403.35	709.93	550.32	152.40	140.00	319.02	257	VPVL700SR4/5

DIMENSIONS

8" (DN200) Series 7000 ASME Class 150 and 300 Reduced Port and 2" - 6" (DN50 - 150) Series 9000 ASME Class 150 and 300 Full Port Valves with *Quadra-Powr* Spring Diaphragm Actuator



Series 7150 Reduced Port Approximate Dimensions - inches							
Valve Size inches	A	B	C	D	E	Weight lbs	Actuator
8	11.50	15.04	26.44	6.00	22.07	413	QPX5C/M

Series 7150 Reduced Port Approximate Dimensions - mm							
Valve Size DN	A	B	C	D	E	Valve Size kg	Actuator
200	292.10	382.02	671.55	152.40	560.58	187	QPX5C/M

Series 7300 Reduced Port Approximate Dimensions - inches							
Valve Size inches	A	B	C	D	E	Weight lbs	Actuator
8	16.50	15.04	27.55	6.00	22.07	513	QPX5C/M

Series 7300 Reduced Port Approximate Dimensions - mm							
Valve Size DN	A	B	C	D	E	Valve Size kg	Actuator
200	419.10	382.02	699.67	152.40	560.58	233	QPX5C/M

Series 730S Reduced Port Approximate Dimensions - inches							
Valve Size inches	A	B	C	D	E	Weight lbs	Actuator
8	11.50	15.04	27.55	6.00	22.07	500	QPX5C/M

Series 730S Reduced Port Approximate Dimensions - mm							
Valve Size DN	A	B	C	D	E	Valve Size kg	Actuator
200	292.10	382.02	699.67	152.40	560.58	227	QPX5C/M

DIMENSIONS

8" (DN200) Series 7000 ASME Class 150 and 300 Reduced Port and 2" - 6" (DN50 - 150) Series 9000 ASME Class 150 and 300 Full Port Valves with *Quadra-Powr* Spring Diaphragm Actuator

Series 9150 Full Port Approximate Dimensions - inches							
Valve Size inches	A	B	C	D	E	Weight lbs	Actuator
2	7.00	10.79	18.02	2.00	15.78	135	QPX3C/M
3	8.00	12.60	20.83	3.00	17.80	181	QPX4C/M
4	9.00	12.60	22.94	4.00	17.80	221	QPX4C/M
6	10.50	15.04	26.45	6.00	22.07	407	QPX5C/M

Series 9150 Full Port Approximate Dimensions - mm							
Valve Size DN	A	B	C	D	E	Valve Size kg	Actuator
50	177.80	274.07	457.80	50.80	400.81	61	QPX3C/M
80	203.20	320.04	529.15	76.20	452.12	82	QPX4C/M
100	228.60	320.04	528.74	101.60	452.12	100	QPX4C/M
150	266.70	382.02	671.80	152.40	560.58	185	QPX5C/M

Series 9300 Full Port Approximate Dimensions - inches							
Valve Size inches	A	B	C	D	E	Weight lbs	Actuator
2	8.50	10.79	18.02	2.00	15.78	143	QPX3C/M
3	11.12	12.60	22.12	3.00	17.80	209	QPX4C/M
4	12.00	12.60	23.61	4.00	17.80	269	QPX4C/M
6	15.88	15.04	27.55	6.00	22.07	500	QPX5C/M

Series 9300 Full Port Approximate Dimensions - mm							
Valve Size DN	A	B	C	D	E	Valve Size kg	Actuator
50	215.90	274.07	457.80	50.80	400.81	65	QPX3C/M
80	282.45	320.04	561.91	76.20	452.12	95	QPX4C/M
100	304.80	320.04	599.73	101.60	452.12	122	QPX4C/M
150	403.35	382.02	699.67	152.40	560.58	227	QPX5C/M

HOW TO ORDER JAMESBURY GAS AND OIL SAFETY SHUTOFF AND VENT VALVES

As the use of the valve is application specific, a number of factors should be taken into account when selecting a valve for a given application. Therefore, some of the situations in which the valves are used are outside the scope of this manual. If you have any questions concerning the use, application or compatibility of the valve with the intended service, contact Metso for more information.

The Gas and Oil Safety Shutoff and Vent Valve designation is made up of numbers and letters that describe all features of the available variations of these units. Coding is as follows:

Example: 1052 7LXQVSA1 A 3" (DN 80) (7) ASME Class 150 reduced port flanged design with carbon steel body and stainless steel trim (L), Xtreme seats (X), QX4VB02SDM-MET52 limit switch with 1 fixed and 1 adjustable switch (Q), Valv-Powr VPVL actuator to operate at a minimum supply pressure of 60psi air supply (V), standard valve (S), standard solenoid valve (A) with a voltage supply of 120 VAC (1), spring-to-close (**leave blank**).

Figure	1	2	3	4	5	6	7	8	9
1052	7	L	X	Q	V	S	A	1	

1	Size											
Code	C	D	1	2	3	4	5	6	7	8	9	0
inches	1/4	3/8	1/2	3/4	1	1-1/4	1-1/2	2	3	4	6	8
DN	8	10	15	20	25	32	40	50	80	100	150	200

2 Valve Size			
Code	Series	Body Style	Body Material
0	A ¹	Screwed End, Reduced Port (1/4" - 2")	Carbon
1	A ¹	Screwed End, Reduced Port (1/4" - 2")	Stainless
3	9F ¹	Screwed End, Reduced Port (1/4" - 2")	Carbon
4	9F ¹	Screwed End, Reduced Port (1/4" - 2")	Stainless
C	4000	Screwed End, Reduced Port (1/2" - 2")	Carbon
D	4000	Screwed End, Reduced Port (1/2" - 2")	Stainless
E	4000	Socket Weld, Reduced Port (1/2" - 2")	Carbon
F	4000	Socket Weld, Reduced Port (1/2" - 2")	Stainless
G	4000	Screwed End, Full Port (1/2" - 1-1/2")	Carbon
H	4000	Screwed End, Full Port (1/2" - 1-1/2")	Stainless
J	4000	Socket Weld, Full Port (1/2" - 1-1/2")	Carbon
K	4000	Socket Weld, Full Port (1/2" - 1-1/2")	Stainless
L	7150	Flanged, Reduced Port, Class 150 (1/2" - 8")	Carbon
M	7150	Flanged, Reduced Port, Class 150 (1/2" - 8")	Stainless
N	9150	Flanged, Full Port, Class 150 (1/2" - 6")	Carbon
P	9150	Flanged, Full Port, Class 150 (1/2" - 6")	Stainless
Q	9300	Flanged, Full Port, Class 300 (1/2" - 6")*	Carbon
S	7305	Flanged, Reduced Port, Class 300, Short (1/2" - 8")**	Carbon
T	9300	Flanged, Full Port, Class 300 (1/2" - 6")*	Stainless
V	7305	Flanged, Reduced Port, Class 300, Short (1/2" - 8")**	Stainless
Y	7300	Flanged, Reduced Port, Class 300 (1/2" - 8")	Carbon
Z	7300	Flanged, Reduced Port, Class 300 (1/2" - 8")	Stainless

¹ Eliminator & A-Style use Xtreme seats only.

* 2" and larger Rated to Class 150

** 3" and larger Rated to Class 150

3 Valve Seat Material	
Code	Seat Material
X	Xtreme
T	PTFE

* 6" 9000 & 8" 7000 with Xtreme seats is only available with Valv-Powr actuator

4 Switch Description		
Code	Description	Switch Code
0	No Switch	
1	2 SPDT switches, both fixed	QX2VB02SDM (Mechanical Switches)
2	2 SPDT switches, 1 fixed, 1 adjustable	
P	2 DPDT switches, both fixed	QX4VB02SDM-MET52 (Mechanical Switches)
Q	2 DPDT switches, 1 fixed, 1 adjustable	
6	2 SPDT switches, 1 fixed, 1 adjustable	QX2HB02SDM (Longer Life Proximity Switches)
7	2 SPDT switches, both fixed	

5 Actuator	
Code	Actuator Type
Q	Quadra-Powr X, diaphragm, spring return *
V	Valv-Powr VPVL, rack and pinion, spring return **

* Ambient temperature from -20°F to 140°F

** Ambient temperature from -60°F to 140°F

6 Options	
Code	Option
S	Standard
B	4000 Series, Eliminator and A-Style (full rating) per ASME B31 valve per ASME B16.34 with Class 600 rating
M	Valve with Monel ball and stem
R	4000 Series, Eliminator and A-Style (reduced rating) per ASME B31 valve per ASME B16.34 with Class 150 rating

7 Solenoid	
Code	Solenoid
A	Standard (up to 125°F, 51°C)
B	High Temperature (up to 140°F, 60°C)
C	Manual reset
D	Stainless steel
E	Faster closing
F	High temperature & faster closing

8	Solenoid Voltage
Code	Voltage
1	120 VAC, 60 Hz
2	240 VAC, 60 Hz
4	24 VDC

9	Actuator Spring Direction
Code	Voltage
—	Spring-to-Close
V	Spring-to-Open

Subject to change without prior notice.

Metso Flow Control Inc.

Europe, Vanha Porvoontie 229, P.O. Box 304, FI-01301 VANTAA, Finland.
Tel. +358 20 483 150. Fax +358 20 483 151

North America, 44 Bowditch Drive, P.O. Box 8044, Shrewsbury, MA 01545, USA.
Tel. +1 508 852 0200. Fax +1 508 852 8172

South America, Av. Independência, 2500- Iporanga, 18087-101, Sorocaba-São Paulo, Brazil.
Tel. +55 15 2102 9700. Fax +55 15 2102 9748/49

Asia Pacific, 238B Thomson Road, #17-01 Novena Square Tower B, Singapore 307685.
Tel. +65 6511 1011. Fax +65 6250 0830

China, 11/F, China Youth Plaza, No.19 North Rd of East 3rd Ring Rd, Chaoyang District,
Beijing 100020, China. Tel. +86 10 6566 6600. Fax +86 10 6566 2583

Middle East, Roundabout 8, Unit AB-07, P.O. Box 17175, Jebel Ali Freezone, Dubai,
United Arab Emirates. Tel. +971 4 883 6974. Fax +971 4 883 6836

www.metso.com/valves

