

# ACK-A001E

## Compact Embedded 3.5" SBC Chassis



### Features

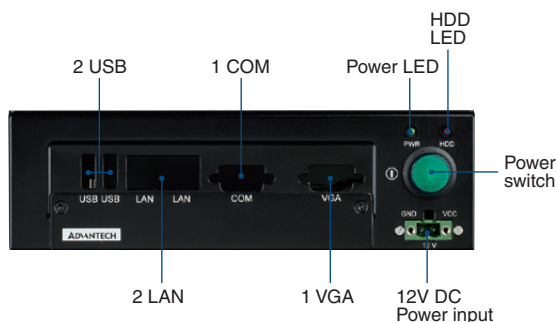
- 3.5" SBC chassis supports front & rear I/O interfaces
- Fanless system with wall-mount & desk mount support, Mounting flange is removable
- Bottom door for access to devices on the solder side of motherboard
- Flexible cutouts I/O in the rear bezel up to 4 x COM , 4 x USB, audio, and LPT/PS2/LVDS
- Easy assembling & maintenance of 2.5" hard disk
- Supports dedicated Advantech 3.5" SBC: PCM-9362/PCM-9363



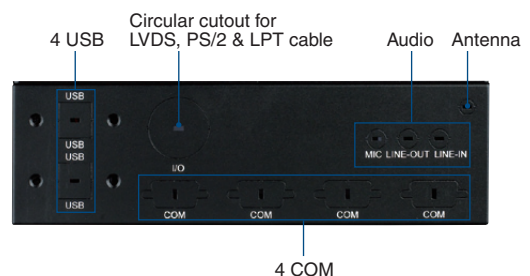
### Specifications

Disk Drive Bay	2.5" (internal)	w/ PCM-9362	w/ PCM-9363
Front I/O Openings	USB	1	1
	COM	2	2
	RJ-45	1 (1 x RS-232)	1 (1 x RS-232)
	Audio	2	2
	VGA	3 (Mic-in, Line-out, Line-in)	3 (Mic-in, Line-out, Line-in)
Rear I/O Openings	COM	1	1
	USB	3 (2 x RS-232, 1 RS-232/422/485)	2 (1 x RS-232, 1 RS-232/422/485)
	Audio	4	4
	Antenna	1 (Mic-in, Line-out, Line-in)	1 (Mic-in, Line-out, Line-in)
	Circular cutouts	1	1
Miscellaneous	LED Indicators	1 (Reserved for LVDS, PS/2 & LPT cable)	1 (Reserved for LVDS, PS/2 & LPT cable)
	Control	Power, HDD	
Environment	Temperature	Operating	Non-operating
		0 ~ 40° C (32 ~ 104° F)	-20 ~ 60° C (-4 ~ 140° F)
	Humidity	w/ 0.7m/s airflow	
		w/o system Fan	
Vibration (5 ~ 500 Hz)	40° C @ 95% RH Non-Condensing	60° C @ 95% RH non-condensing	
Physical Characteristics	Dimensions (W x H x D)	1 Grms (w/o 2.5" HDD)	N/A
	Weight	System dimension: 200 x 60 x 145 mm	
		System dimension with mounting bracket: 230 x 65 x 145 mm	
		0.95 kg (2.09 lb)	

### Front View

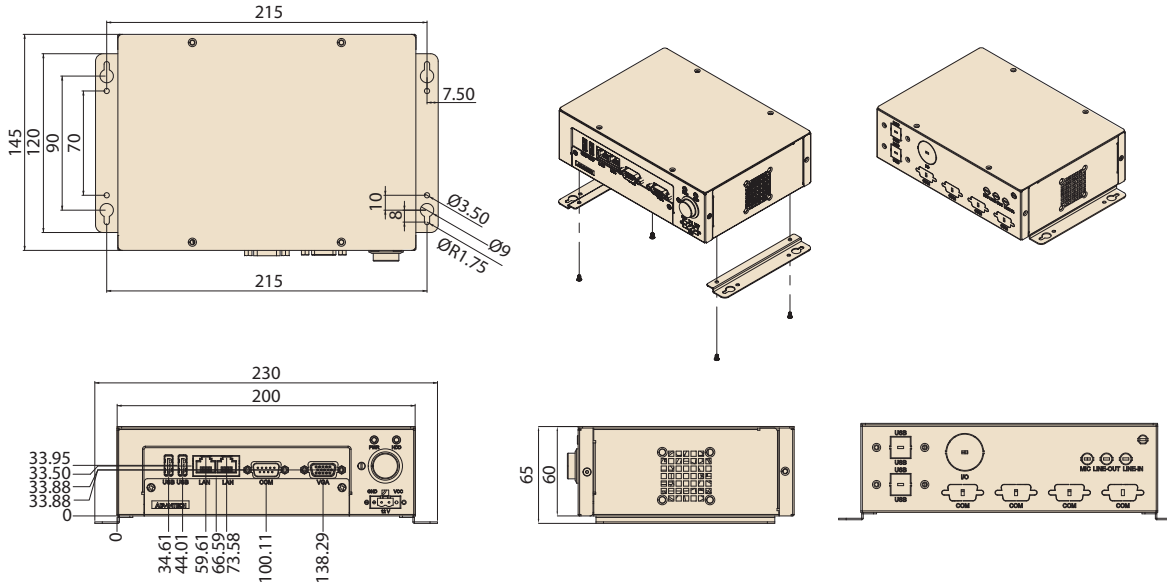


### Rear View



## Dimensions

Unit: mm



## Ordering Information

Part Number	Recommended 3.5" SBC	System Fan	Power Supply	Power cable	Regulation
ACK-A001E	PCM-9362N-S6A1E, PCM-9362D-S6A1E, PCM-9363N-S6A1E, PCM-9363D-S8A1E	1750006742-01 (Optional)	1757003553	required, refer to optional accessories	CE/FCC

## Power Supply Options

Part Number	Watts	Input	Output	Operating Temperature	Dimensions	Safety	MTBF
1757003553 (AC-DC, w/o PFC)	36 W	AC 100 ~ 240 V	DC 12 V @ 3 A	0 ~ 40° C (32 ~ 104° F)	91.5 x 37.5 x 2	CE/FCC/CCC/UL/ CB/BSMI/KC/PSE/ GS/GOST-R	50,000 hours @ 25° C

## Packing List

Part Number	Description	Quantity
	3.5" SBC Chassis	1
1700018730	2 ports USB cables 25cm for ACK-A001E	2
1700018436	PCM-9362 SATA power cable 10cm drained 5V power from PCM-9362 inverter connector (CN13)	1
1700009001	Phoenix to DC power cable 4.5cm	1
1930001241	Screws for 2.5" HDD installation (S/S D=4.8 H=1.0 + M3*5L ST BLACK)	2
1930004706	Screws for USB cable-1700018730 installation (M3*8L s/s D=5.3 H=1.2 + st ni)	4
1935030500	Screws for motherboard installation (R/S D=5.5 H=2 + M3*5L ST Ni)	4
1930005475	Screws for system Fan (Screw T 3.8*10L S/S D=6.0 H=1.0 + ST BZn)	4
1990020671S000	Snap bushing for circular cutout to protect finger from injuring	1
1990020672S000	Hole plugs for circular cutout	1

## Optional Accessories

Part Number	Description
1757003553	DC power 12V@3A /max 36Watts.
1700001524	Power Cable 3-pin 180cm. USA type
170203183C	Power Cable 3-pin 180cm. Europe type
170203180A	Power Cable 3-pin 180cm. EK type
1700008921	Power Cable 3-pin PSE Mark 183cm
1750006742-01	Fan 40 x 40 x 10mm 0.15A 12V 8000RPM and internal SATA power cables drained power from PCM-9362/9363 inverter connector

Note: DC power and power cable are required for system operation.

## Installation

