

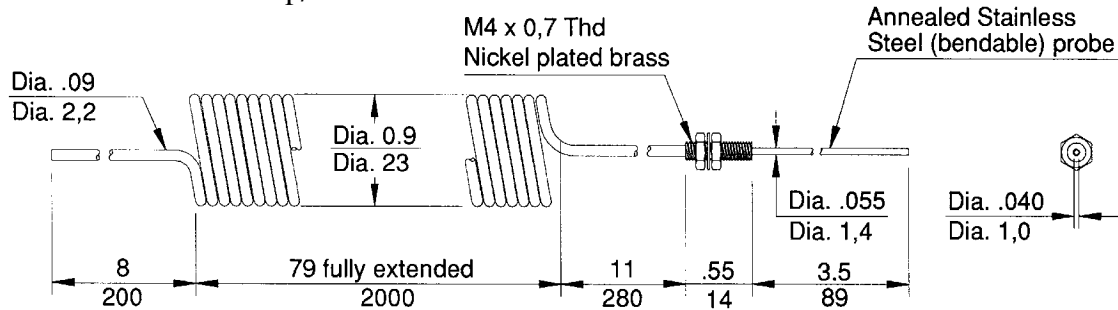
# Plastic Fiber Optic Assembly model PIP46UC

.04" diameter coiled individual fiber with bendable probe sensing end



## PIP46UC

p/n 26087



### Description

Model PIP46UC is an individual coiled plastic fiber optic assembly with a 3.5-inch (89 mm) long bendable probe type sensing end. Coiled plastic fibers are especially suited to applications requiring repeated flexing (reciprocating motion). This fiber is sold in pairs.

The PIP46UC operates in the opposed sensing mode. Sensing light is transmitted or received through the end of the sensing probe (see drawing and photo). Objects are detected when they break the light beam between two fiber ends. Fiber core diameter is .04 inch.

The PIP46UC may be used with plastic fiber optic sensors from the following Banner sensor families: D12, OMNI-BEAM, MAXI-BEAM, VALU-BEAM, Q45, Q19, PC44, MINI-BEAM and ECONO-BEAM. See page 2 for further information.

### Additional Specifications

**SENSING RANGE:** A function of the sensor. For further information, see the data sheet packed with the sensor, or refer to the Banner product catalog.

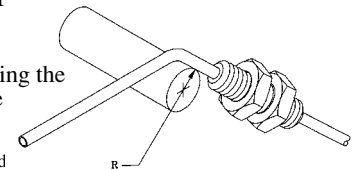
**TEMPERATURE EXTREMES:** Temperatures below -30°C will cause embrittlement of the plastic materials but will not cause transmission loss. Temperatures above +70°C will cause both transmission loss and fiber shrinkage.

**REPEAT BENDING/FLEXING:** Life expectancy of plastic fiber optic cable is in excess of one million cycles at bend radii of no less than the minimum (stated at right) and a bend of 90 degrees or less. Avoid stress at the point where the cable enters the sensor ("control end") and at the sensing end tip. Coiled plastic fiberoptic assemblies are recommended for any application requiring reciprocating fiber motion.

**OPERATING TEMPERATURE:** -30 to +70°C (-20 to +158°F).

"R" ≥ .5" (13 mm).  
Use dowel, rod, or tubing to form probe bend angle. Bend gently and gradually. Do not "kink" the probe. The probe may not be bent within 0.5 inches (13 mm) of either end

Bending the probe



**CHEMICAL RESISTANCE:** The acrylic core of the monofilament optical fiber will be damaged by contact with acids, strong bases (alkalis) and solvents. The polyethylene jacket will protect the fiber from most chemical environments. However, materials may migrate through the jacket with long term exposure. Samples of fiber optic material are available from Banner for testing and evaluation.

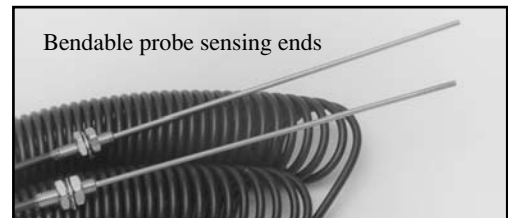
**MINIMUM BEND RADIUS OF PLASTIC FIBER:** 1 inch (25 mm)

#### CONSTRUCTION:

OPTICAL FIBER: acrylic monofilament

PROTECTIVE JACKET: black polyethylene

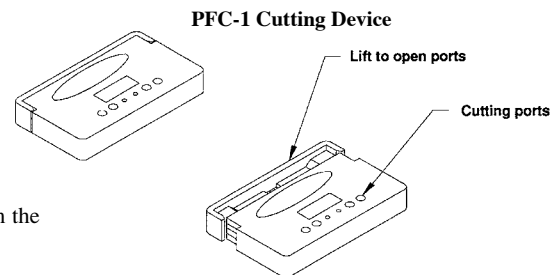
BENDABLE PROBE END TIP: annealed T304 stainless steel



### Fiber Cutting Information

This Banner plastic fiber is designed to be cut by the customer to the length required for the application. To facilitate cutting, a Banner model PFC-1 cutting device is supplied with this fiber. Cut the fiber as follows:

- 1) Locate the "control end" of the fiber (the unfinished end). Determine the length of fiber required for the application. Lift the top (blade) of the cutter to open the cutting ports. Insert the control end of the fiber through one of the four large cutting ports on the PFC-1 cutter so that the excess fiber protrudes from the back of the cutter.
- 2) Double-check the fiber length, and close the cutter until the fiber is cut.
- 3) Gently wipe the cut ends of the fiber with a clean, dry cloth to remove any contamination. Do not use solvents or abrasives on any exposed optical fiber. Do not use a cutting port more than once. The blade may tend to dull after one cut.



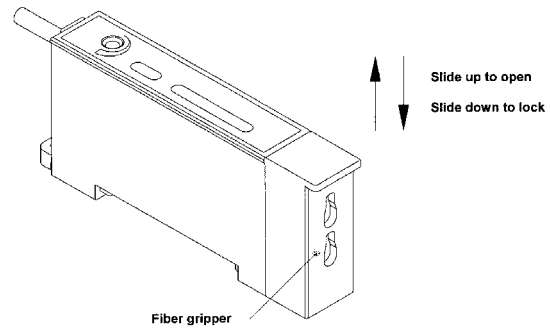
# Fiber Installation Instructions

## D12 Series

D12 Series sensors for use with plastic fiber optic assemblies include sensors with the letters **FP** in their model number suffix.

Install the plastic fiber optic assembly(s) as follows:

- 1) Prepare the sensor ends of the fibers (see page 1, bottom).
- 2) Slide the fiber gripper up (open).
- 3) Gently insert the prepared plastic fiber sensor ends into the ports as far as they will go. Slide the fiber gripper down to lock.

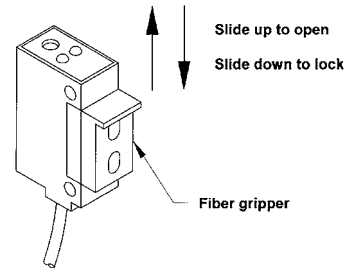


## Q19 Series

Q19 Series sensors for use with plastic fiber optic assemblies include sensors with the letters **FP** in their model number suffix.

Install the plastic fiber optic assembly(s) as follows:

- 1) Prepare the sensor ends of the fibers (see page 1, bottom).
- 2) Unlock (slide up) the fiber gripper.
- 3) Gently insert the prepared plastic fiber sensor ends into the ports as far as they will go. Slide the fiber gripper down to lock.

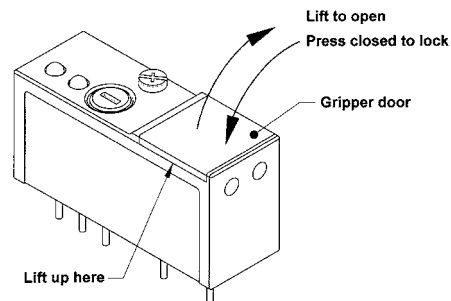


## PC44 Series

PC44 Series sensors for use with plastic fiber optic assemblies include sensors with the letters **FP** in their model number suffix.

Install the plastic fiber optic assembly(s) as follows:

- 1) Prepare the sensor ends of the fibers (see page 1, bottom).
- 2) Raise (liftup) the fiber gripper door.
- 3) Gently insert the prepared plastic fiber sensor ends into the ports as far as they will go. Lower the fiber gripper to lock.

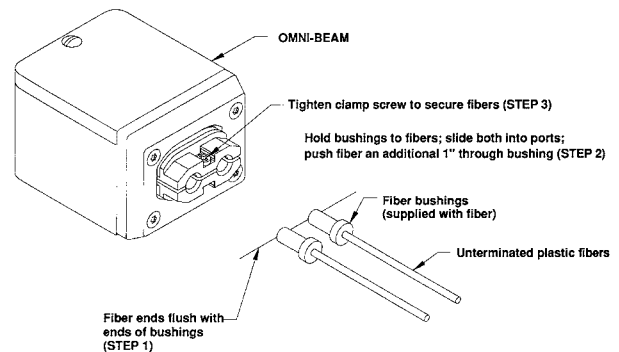


## OMNI-BEAM, MAXI-BEAM, VALU-BEAM, Q45 Series

OMNI-BEAM, MAXI-BEAM, VALU-BEAM, and Q45 Series sensors for use with plastic fiber optic assemblies include sensors with the letters **FP** in their model number suffix.

Install the plastic fiber optic assembly(s) as follows:

- 1) Prepare the sensor ends of the fibers (see page 1, bottom).
- 2) Loosen the clamp screw on the sensor face.
- 3) Follow steps 1-3 in the drawing, right.



## MINI-BEAM, ECONO-BEAM

MINI-BEAM and ECONO-BEAM sensors for use with plastic fiber optic assemblies include sensors with the letters **FP** in their model number suffix.

Install the plastic fiber optic assembly(s) as follows:

- 1) Prepare the sensor ends of the fibers (see page 1, bottom).
- 2) Loosen the clamp screw on the sensor face.
- 3) Follow steps 1-3 in the drawing, right.

