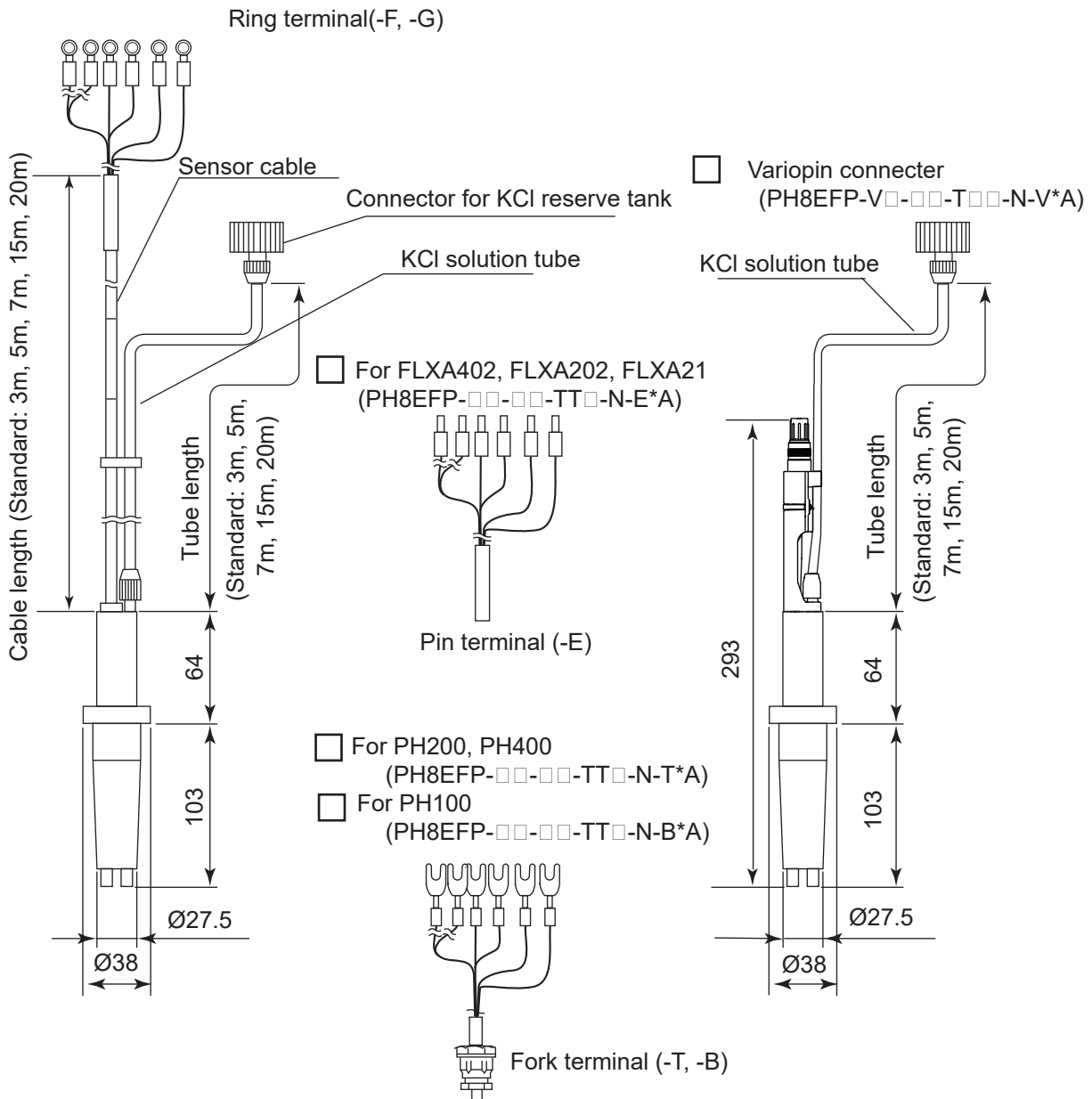


Drawings

Model PH8EFP-□□-□□-TT□-N-□*A KCl Filling Type pH Sensor

- For FLXA202, FLXA21
(PH8EFP-□□-□□-TT□-N-F*A)
- For FLXA402, PH450, PH202/TB
(PH8EFP-□□-□□-TT□-N-G*A)

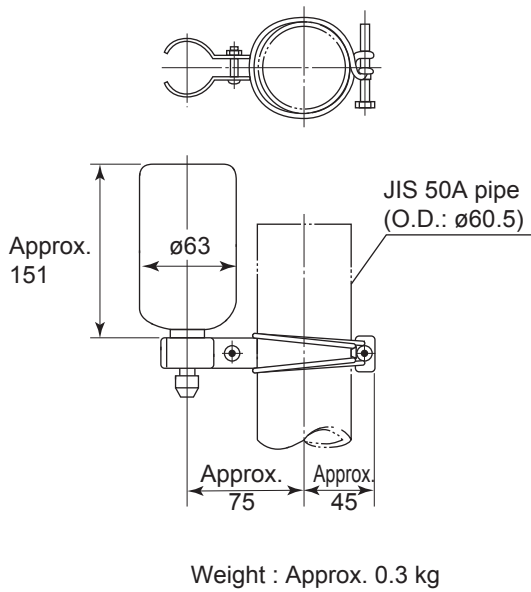
Unit: mm



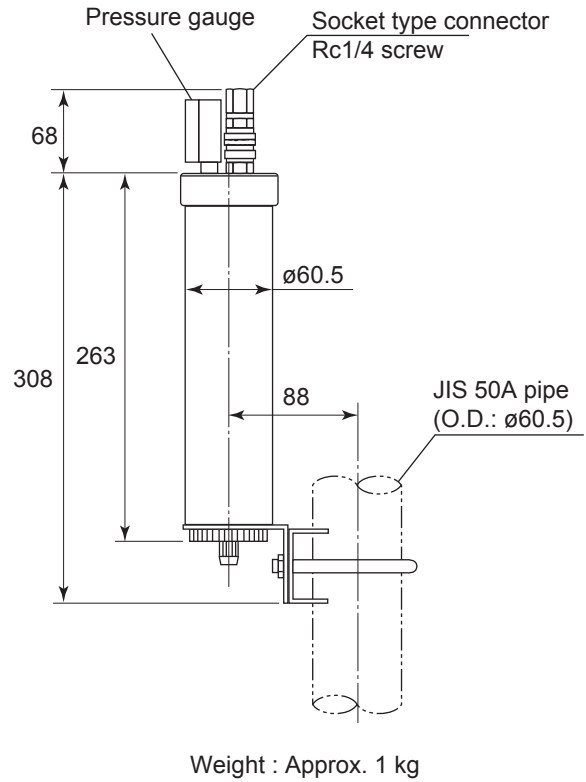
Unless otherwise specified, differences in the dimensions are specified as: General tolerance = ± (Criteria of tolerance class it18 in JIS BO401-1986)/ 2.

Unit : mm

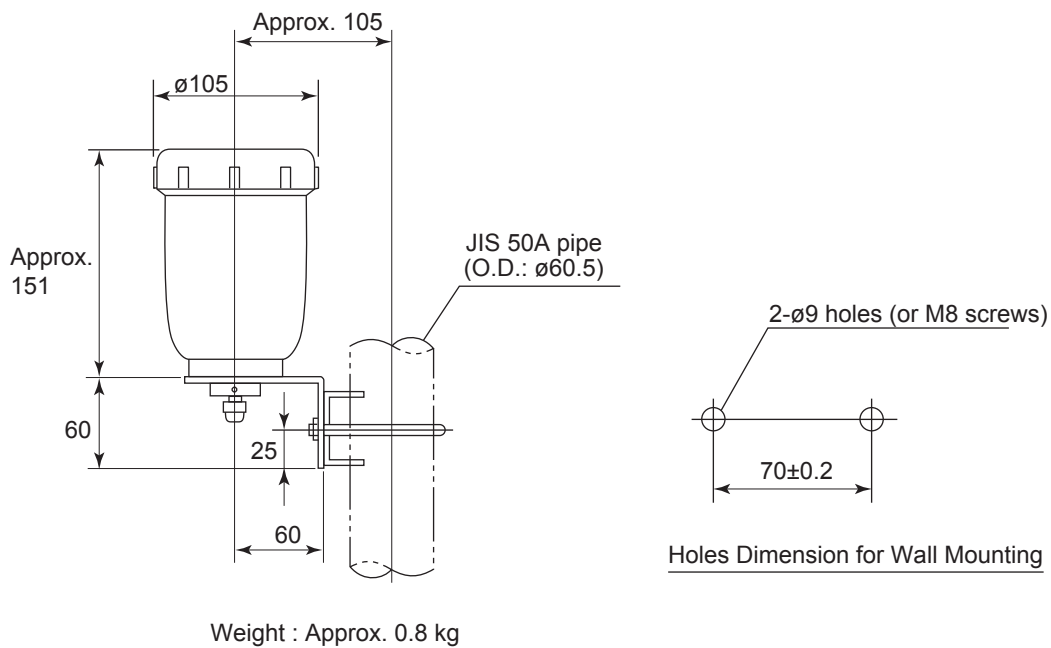
- General Purpose KCl Reserve Tank
(PH8EFP - □□ - □□ - TT1 - □ - □ *A)



- Midium Pressure KCl Reserve Tank
(PH8EFP - □□ - □□ - TT2 - □ - □ *A)



- General Purpose KCl Reserve Tank (500 mL)
(PH8EFP - □□ - □□ - TT3 - □ - □ *A)



Unless otherwise specified, differences in the dimensions are specified as: General tolerance = ± (Criteria of tolerance class it18 in JIS B0401-1986) / 2.