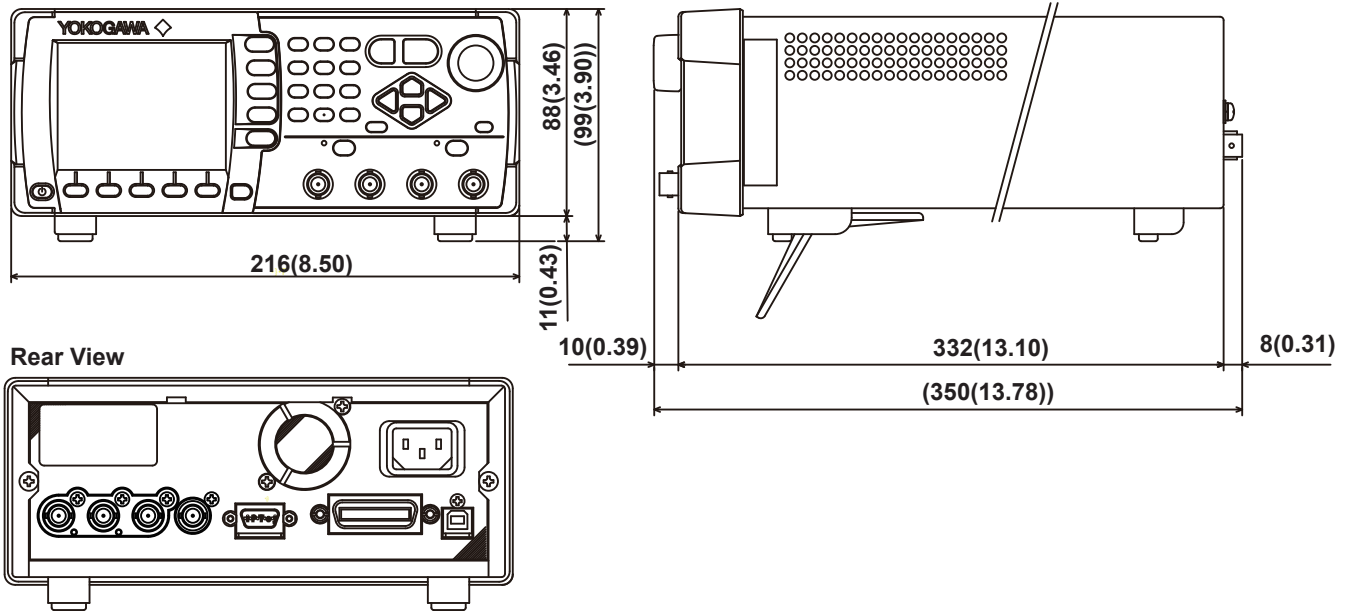


# Drawings

## FG420

### Arbitrary/Function Generator

Unit: mm  
(approx. inch)



Weight : approx. 2.1 kg

If not specified, the tolerance is  $\pm 3\%$ . However, in cases of less than 10 mm, the tolerance is  $\pm 0.3$  mm.