

Please use this manual change for the manuals listed below.

1. Items to be Changed and Applicable Manuals

IM No. and Edition	Products	Item to be applied (Refer to '2.Contents of Changes')
IM 01C22A01-01E (2nd)	EJA Series Installation Manual	(1)
IM 01C21B01-01E (11th)	EJA110A, EJA120A, and EJA130A	(1), (2)
IM 01C21C01-01E (11th)	EJA210A and EJA220A	(1), (2)
IM 01C21D01-01E (11th)	EJA310A, EJA430A and EJA440A	(1), (2)
IM 01C21F01-01E (8th)	EJA510A and EJA530A	(1), (2)
IM 01C22H01-01E (17th)	EJA118W, EJA118N and EJA118Y	(1), (2)
IM 01C22J01-01E (17th)	EJA438W and EJA438N	(1), (2)
IM 01C22K01-01E (17th)	EJA115	(1), (2)
IM 01C22T02-01E (10th)	EJA Series Fieldbus Communication Type	(1)
IM 01C22T03-00E (5th)	EJA Series PROFIBUS Communication Type	(1)

10-007-1.EPS

2. Contents of Changes

(1)

For all the statements for the ambient temperature limit of the product in the applicable manuals, add the following condition;

The lower ambient temperature limit shall be -15°C (5°F) for option code /HE unless other specifications restrict the limit.

(2)

Add the following item in the "Optional Specifications" table in the chapter of "General Specifications" in each manual.

Item	Description	Code
Fluoro-rubber O-ring	All O-rings of amplifier housing. Lower limit of ambient temperature : -15°C (5°F)	HE

10-007-2.EPS

For the models EJA and EJA-A series with option code /KF21, /KU21, /KU22 or /KN26, please use this manual change for the manuals listed below. For those models, the contents in the attached sheet should be used to replace the original contents.

[Applicable manuals, sections, and corresponding items]

IM No. and Edition	Products	Applicable Sections of Each Manual	Corresponding Items in the Attached Pages
IM 01C22A01-01E (2nd)	EJA Series Installation Manual	2.4.4 (1) b 2.4.4 (1) c 2.4.4 (6) picture of tag plate	(I) (II) or (III) (V)
IM 01C21B01-01E (11th)	EJA110A, EJA120A, and EJA130A	2.9.4 (1) b 2.9.4 (1) c 2.9.4 (6) picture of tag plate	(I) (II) or (III) (V)
IM 01C21C01-01E (11th)	EJA210A and EJA220A		
IM 01C21D01-01E (11th)	EJA310A, EJA430A and EJA440A		
IM 01C21F01-01E (8th)	EJA510A and EJA530A		
IM 01C22B01-01E (17th)	EJA110 and EJA120		
IM 01C22C01-01E (17th)	EJA210 and EJA220		
IM 01C22D01-01E (17th)	EJA310 and EJA430		
IM 01C22H01-01E (17th)	EJA118W, EJA118N and EJA118Y		
IM 01C22J01-01E (17th)	EJA438W and EJA438N		
IM 01C22K01-01E (17th)	EJA115		
IM 01C22T02-01E (10th)	EJA Series Fieldbus Communication Type	2.1.3 (1) b 2.1.3 (6) picture of tag plate (for flameproof type alone)	(I) (IV) (V)
IM 01C22T03-00E (5th)	EJA Series PROFIBUS Communication Type		

11-006.eps

(I) for code /KF21, /KU21 and /KU22

b. ATEX Flameproof Type

Caution for ATEX flameproof type.

Note 1. Model EJA Series differential, gauge, and absolute pressure transmitters with optional code /KF21 for potentially explosive atmospheres:

- No. KEMA 02ATEX2148
 - Applicable Standard: EN60079-0:2006, EN60079-1:2004
 - Type of Protection and Marking Code: Ex d IIC T6..T4
 - Temperature Class: T6, T5, and T4
 - Enclosure: IP67
 - Maximum Process Temperature: 85°C (T6), 100°C (T5), and 120°C (T4)
 - Ambient Temperature: T4 and T6; -40* to 75°C, T5; -40* to 80°C
- *-15°C when /HE is specified.

Note 2. Electrical Data

- Supply voltage: 42 V dc max.
- Output signal: 4 to 20 mA

Note 3. Installation

- All wiring shall comply with local installation requirement.
- The cable entry devices shall be of a certified flameproof type, suitable for the conditions of use.

Note 4. Operation

- Keep the “CAUTION” label to the transmitter.
CAUTION: AFTER DE-ENERGIZING, DELAY 10 MINUTES BEFORE OPENING. WHEN THE AMBIENT TEMP. $\geq 70^{\circ}\text{C}$, USE HEAT-RESISTING CABLES $\geq 90^{\circ}\text{C}$.
- Take care not to generate mechanical sparking when accessing to the instrument and peripheral devices in a hazardous location.

Note 5. Maintenance and Repair

- The instrument modification or parts replacement by other than authorized representative of Yokogawa Electric Corporation is prohibited and will void KEMA Flameproof Certification.

(II) for code /KU22

c. ATEX Intrinsically Safe Type/ATEX Flameproof Type/ATEX Type n

Model EJA Series pressure transmitters with optional code /KU22 can be selected the type of protection ATEX Intrinsically Safe, Flameproof or ATEX Type n for use in hazardous locations.

Note 1. For the installation of this transmitter, once a particular type of protection is selected, any other type of protection cannot be used. The installation must be in accordance with the description about the type of protection in this user's manual.

Note 2. In order to avoid confusion, unnecessary marking is crossed out on the label other than the selected type of protection when the transmitter is installed.

● ATEX Type of Protection “n”



WARNING

When using a power supply not having a non-incendive circuit, please pay attention not to ignite in the surrounding flammable atmosphere. In such a case, we recommend using wiring metal conduit in order to prevent the ignition.

- Applicable Standard: EN 60079-0:2009, EN60079-15:2005
 - Type of Protection and Marking Code: Ex nL IIC T4 Gc
 - Temperature Class: T4
 - Enclosure: IP67
 - Process Temperature: 120°C max.
 - Ambient Temperature: -30* to 60°C
- *-15°C when /HE is specified.

Note 1. Electrical Data

$U_i = 30 \text{ V}$

Effective internal capacitance; $C_i = 22.5 \text{ nF}$

Effective internal inductance; $L_i = 730 \text{ } \mu\text{H}$

Note 2. Installation

- All wiring shall comply with local installation requirements. (refer to the installation diagram)

Note 3. Maintenance and Repair

- The instrument modification or parts replacement by other than authorized representative of Yokogawa Electric Corporation is prohibited and will void Type of Protection “n”.

ote 4. Special Condition for Safe Use



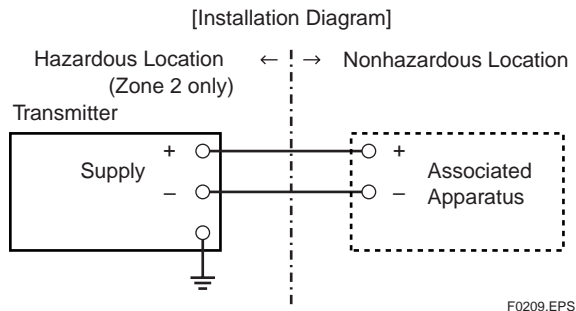
WARNING

- Electrostatic charge may cause an explosion hazard. Avoid any action that cause the generation of electrostatic charge, such as rubbing with a dry cloth on coating face of the product.



WARNING

- OPEN CIRCUIT BEFORE REMOVING COVER. INSTALL IN ACCORDANCE WITH THIS USER'S MANUAL
- Take care not to generate mechanical sparking when access to the instrument and peripheral devices in hazardous locations.



Ratings of the Power Supply as follows;
Maximum Voltage: 30 V

● ATEX Type of Protection “Dust”

[When combined with II 2G]

Follow the installation instructions described in 'b. ATEX Flameproof Type.'

- Applicable Standard: EN61241-0:2006, EN61241-1:2004
- Type of Protection and Marking Code: II 2D Ex tD A21 IP6X
- Maximum Surface Temperature:
T85°C (Tamb.: -40* to 75°C, Tp:85°C), T100°C (Tamb.: -40* to 80°C, Tp:100°C), and T120°C (Tamb.: -40* to 75°C, Tp:120°C)

*-15°C when /HE is specified.

Note 1. Installation instructions

The cable entry devices and blanking elements shall be of a certificated type providing a level of ingress protection of at least IP6X, suitable for the conditions of use and correctly installed.

[When combined with II 1G]

Follow the installation instructions described in 'a. CENELEC ATEX Intrinsically Safe Type.'

- Applicable Standard: EN50281-1-1:1997
- Type of Protection and Marking Code: II 1D
- Maximum Surface Temperature:
T65°C (Tamb.: 40°C), T85°C (Tamb.: 60°C), and T105°C (Tamb.: 80°C)

Note 1. Installation instructions

The cable entry devices and blanking elements shall be of a certificated type providing a level of ingress protection of at least IP6X, suitable for the conditions of use and correctly installed.

(III) For code /KU21

c. ATEX Intrinsically Safe Type/ATEX Flameproof Type/ATEX Type n

Model EJA Series pressure transmitters with optional code /KU21 can be selected the type of protection ATEX Intrinsically Safe, Flameproof or ATEX Type n for use in hazardous locations.

Note 1. For the installation of this transmitter, once a particular type of protection is selected, any other type of protection cannot be used. The installation must be in accordance with the description about the type of protection in this user's manual.

Note 2. In order to avoid confusion, unnecessary marking is crossed out on the label other than the selected type of protection when the transmitter is installed.

● ATEX Type of Protection “n”



WARNING

When using a power supply not having a non-incendive circuit, please pay attention not to ignite in the surrounding flammable atmosphere. In such a case, we recommend using wiring metal conduit in order to prevent the ignition.

- Applicable Standard: EN60079-15
- Referential Standard: IEC60079-0, IEC60079-11
- Type of Protection and Marking Code:
Ex nL IIC T4
- Temperature Class: T4
- Enclosure: IP67
- Process Temperature: 120°C max.
- Ambient Temperature: -40* to 60°C
*-15°C when /HE is specified.

Note 1. Electrical Data

$$U_i = 30 \text{ V}$$

Effective internal capacitance; $C_i = 22.5 \text{ nF}$

Effective internal inductance; $L_i = 730 \text{ } \mu\text{H}$

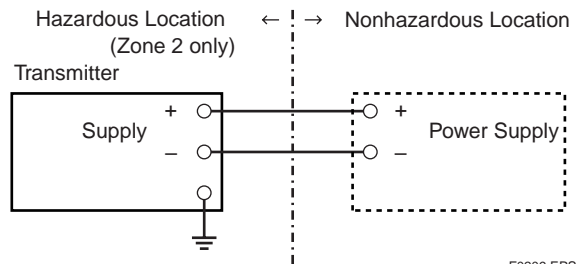
Note 2. Installation

- All wiring shall comply with local installation requirements. (refer to the installation diagram)

Note 3. Maintenance and Repair

- The instrument modification or parts replacement by other than authorized representative of Yokogawa Electric Corporation is prohibited and will void Type of Protection “n”.

[Installation Diagram]



F0209.EPS

Ratings of the Power Supply as follows;
Maximum Voltage: 30 V

● ATEX Type of Protection “Dust”

[When combined with II 2G]

Follow the installation instructions described in 'b. ATEX Flameproof Type.'

- Applicable Standard: EN61241-0:2006, EN61241-1:2004
- Type of Protection and Marking Code: II 2D Ex tD A21 IP6X
- Maximum Surface Temperature:
T85°C (Tamb.: -40* to 75°C, Tp:85°C), T100°C (Tamb.: -40* to 80°C, Tp:100°C), and T120°C (Tamb.: -40* to 75°C, Tp:120°C)
*-15°C when /HE is specified.

Note 1. Installation instructions

The cable entry devices and blanking elements shall be of a certificated type providing a level of ingress protection of at least IP6X, suitable for the conditions of use and correctly installed.

[When combined with II 1G]

Follow the installation instructions described in 'a. ATEX Intrinsically Safe Type.'

- Applicable Standard: EN50281-1-1:1997
- Type of Protection and Marking Code: II 1D
- Maximum Surface Temperature:
T65°C (Tamb.: 40°C), T85°C (Tamb.: 60°C), and T105°C (Tamb.: 80°C)

Note 1. Installation instructions

The cable entry devices and blanking elements shall be of a certificated type providing a level of ingress protection of at least IP6X, suitable for the conditions of use and correctly installed.



WARNING

- OPEN CIRCUIT BEFORE REMOVING COVER. INSTALL IN ACCORDANCE WITH THIS USER'S MANUAL
- Take care not to generate mechanical sparking when access to the instrument and peripheral devices in hazardous locations.

(IV) for /KN26

c. ATEX Type of Protection “n”

Model EJA Series differential, gauge, and absolute pressure transmitters with optional code /KN26.

WARNING

When using a power supply not having a nonincendive circuit, please pay attention not to ignite in the surrounding flammable atmosphere. In such a case, we recommend using wiring metal conduit in order to prevent the ignition.

WARNING

• Electrostatic charge may cause an explosion hazard. Avoid any action that cause the generation of electrostatic charge, such as rubbing with a dry cloth on coating face of the product.

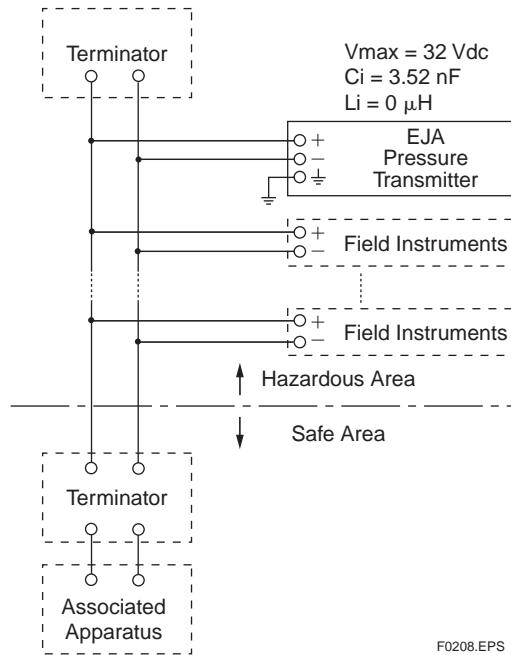
- Applicable standard: EN 60079-0:2009, EN60079-15:2005
- Type of Protection and Marking Code: Ex nL IIC T4 Gc
- Group: II
- Category: 3G
- Ambient Temperature: -30* to 60°C
* -15°C when /HE is specified
- Ambient humidity: 0 to 100%RH (No condensation)
- Enclosure: IP67

Note 1. Electrical Data

$U_i = 32 \text{ Vdc}$
 $C_i = 3.52 \text{ nF}$
 $L_i = 0 \text{ } \mu\text{H}$

Note 2. Installation

- All wiring shall comply with local installation requirements. (refer to the installation diagram)



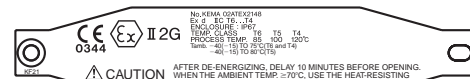
F0208.EPS

Note 3. Maintenance and Repair

- The instrument modification or parts replacement by other than authorized representative of Yokogawa Electric Corporation is prohibited and will void Type of Protection “n”.

(V)

- Tag plate for flameproof type



- Tag plate for flameproof, intrinsically safe type, type n protection, and Dust (for /KU22)



- Tag plate for flameproof, intrinsically safe type, type n protection, and Dust (for /KU21)



F0298.EPS

Along with the introduction of the New Legislative Framework (NLF), the CE marking on the nameplate of the products listed below are removed from the shipment as of the end of February 2016.

The old drawings or photos which show CE marking may remain in the listed manuals. Please ignore them.

Applicable Users' Manual

IM No. (Edition No.)	Products
IM 01C22A01-01E (3)	EJA series Installation Manual
IM 01C21B01-01E (12)	EJA110A, EJA120A, EJA130A
IM 01C21C01-01E (12)	EJA210A, EJA220A
IM 01C21D01-01E (12)	EJA310A, EJA430A, EJA440A
IM 01C21F01-01E (9)	EJA510A, EJA530A
IM 01C22B01-01E (18)	EJA110, EJA120
IM 01C22C01-01E (18)	EJA210, EJA220
IM 01C22D01-01E (18)	EJA310, EJA430
IM 01C22H01-01E (18)	EJA118W, EJA118N, EJA118Y
IM 01C22J01-01E (18)	EJA438W, EJA438N
IM 01C22K01-01E (18)	EJA115
IM 01C22T02-01E (10)	EJA series Fieldbus Communication
IM 01C22T03-00E (5)	EJA series Profibus PA Communication