

## Features

- NAMUR direct mount construction
- Balanced Poppet construction provides high flow with low power consumption
- PTFE rider rings and graphite-filled PTFE seals reduce friction and eliminate sticking for long life
- No minimum pressure required
- Tamperproof no-voltage release manual reset provides added safety

## Construction

Valve Parts in Contact with Fluids		
Body	Aluminum	316 Stainless Steel
Seals and Discs	NBR	FKM
Core Tube	305 Stainless Steel	
Stem and Insert	303 Stainless Steel	
Core and Plugnut	430F Stainless Steel	
Springs	302 Stainless Steel	
Rider Rings	PTFE	

## Electrical

Standard Coil and Class of Insulation	Watt Rating and Power Consumption				Spare Coil Part Number			
	DC Watts	AC			General Purpose		Explosionproof	
		Watts	VA Holding	VA Inrush	AC	DC	AC	DC
F	11.6	12	12	12	276000	238710	276002	238714

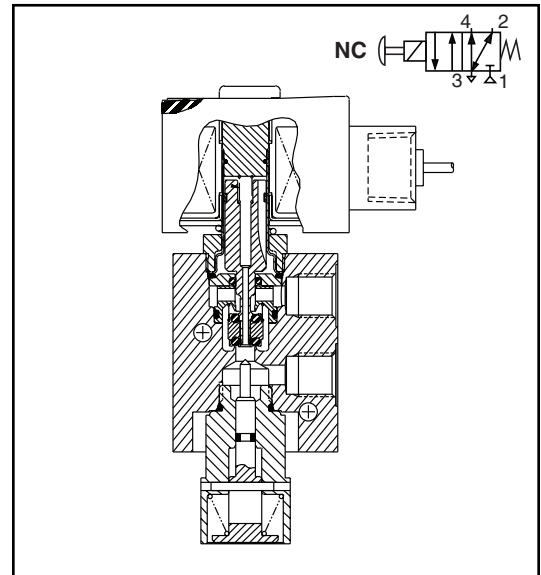
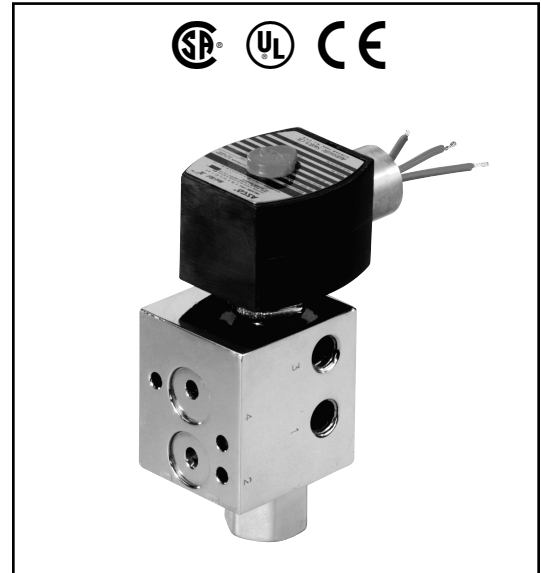
**Standard Voltages:** 24, 120, 240, 480 volts AC, 60 Hz. 6, 12, 24, 120, 240 volts DC.  
 Must be specified when ordering. Other voltages are available when required.

## Solenoid Enclosures

**Standard:** Watertight, Types 1, 2, 3, 3S, 4, and 4X.

**Optional:** Explosionproof and Watertight, Types 3, 3S, 4, 4X, 6, 6P, 7, and 9. (To order, add prefix "EF" to catalog number. For explosionproof with 316 Stainless Steel hub and trim, specify prefix "EV".)

See *Optional Features Section* for other available options.



SPECIAL SERVICE PILOT

## Nominal Ambient Temp. Ranges

-4°F to +131°F (-20°C to +55°C)

Refer to *Engineering Section* for details.

## Approvals

### General Purpose Solenoid:

UL recognized component,  
 CSA certified (8327G033 pending).

### Explosionproof Solenoid: (Prefix EF and EV)

UL listed solenoid.

CSA certified for use in hazardous locations.

Meets applicable CE directives.

Refer to *Engineering Section* for details.

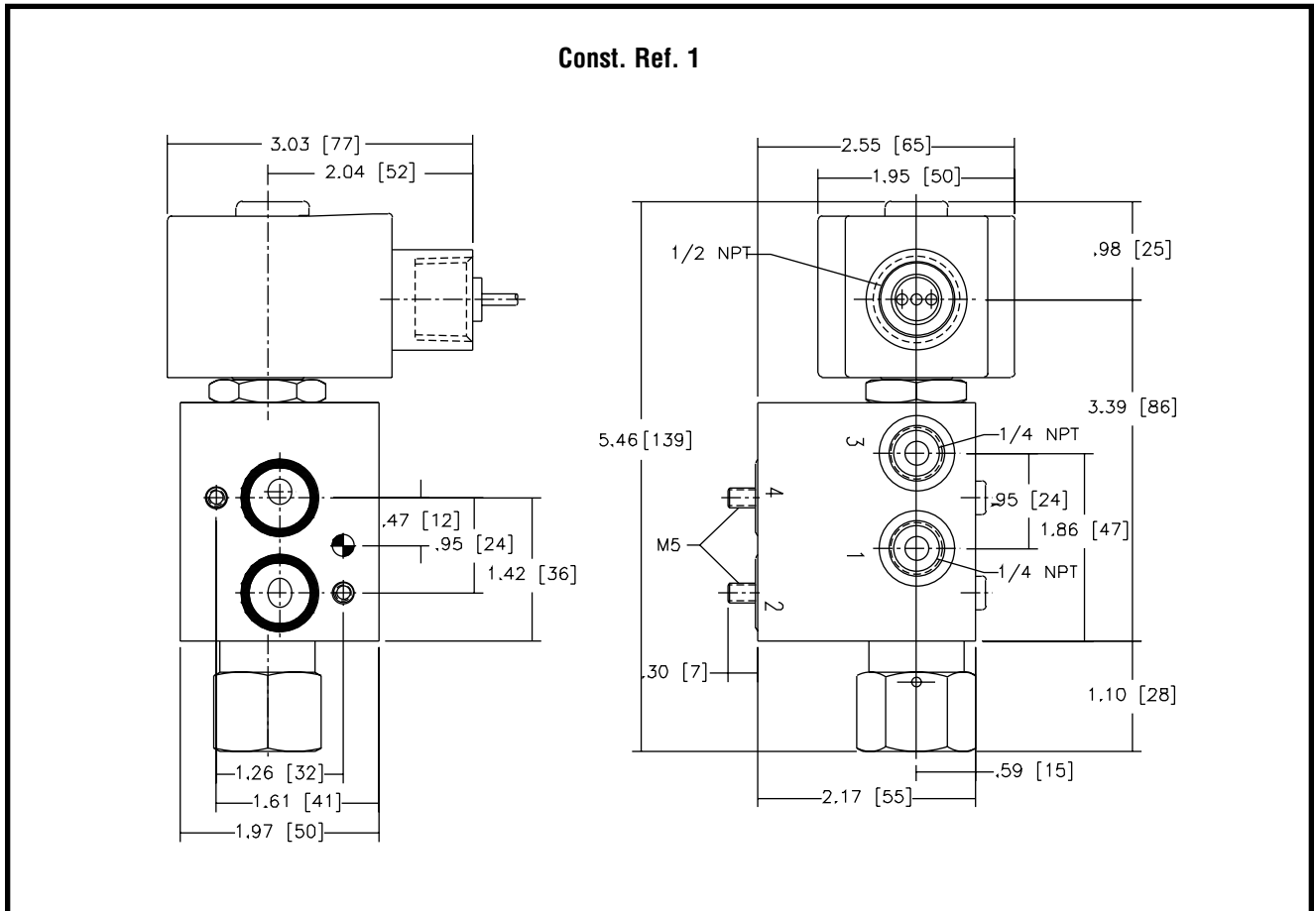
**Specifications (English units)**

Pipe Size (in)	Orifice Size (in)	Cv Flow Factor		Maximum Operating Pressure Diff. (psi)		Fluid Temp. Range °F	Aluminum Body	Stainless Steel Body	Const. Ref.	Watt Rating/ Class of Coil Insulation	
		Ports 1-2	Ports 2-3	Air-Inert Gas	Catalog Number		Catalog Number	AC		DC	
<b>NORMALLY CLOSED MANUAL RESET - Tamperproof No-Voltage Release</b>											
1/4	1/4	.62	.43	150	-4 to 176		8327G033	-	1	12.0/F	11.6/H
1/4	1/4	.62	.43	150	-4 to 248		-	EV8327G035	1	12.0/F	11.6/H

**Specifications (Metric units)**

Pipe Size (in)	Orifice Size (mm)	Kv Flow Factor (m3/h)		Maximum Operating Pressure Diff. (bari)		Fluid Temp. Range °C	Aluminum Body	Stainless Steel Body	Const. Ref.	Watt Rating/ Class of Coil Insulation	
		Ports 1-2	Ports 2-3	Air-Inert Gas	Catalog Number		Catalog Number	AC		DC	
<b>NORMALLY CLOSED MANUAL RESET - Tamperproof No-Voltage Release</b>											
1/4	6.4	.53	.37	10	-20 to 80		8327G033	-	1	12.0/F	11.6/H
1/4	6.4	.53	.37	10	-20 to 120		-	EV8327G035	1	12.0/F	11.6/H

**Dimensions: inches (mm)**



SPECIAL SERVICE PILOT