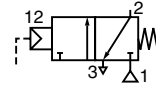


# POPPET VALVES

pressure operated, poppet type  
light alloy body, subbase-mounted body  
G 1/2 to G 1 1/2 subbases



**3/2**

Series

**266-267-268**

Type

**DP**

## GENERAL

**Operating pressure** 2 to 16 bar [1 bar =100 kPa]  
**Pilot fluid** Filtered air  
**Flow (Qv at 6 bar)** See «SPECIFICATIONS»  
**Pilot fluid temperature** -10°C to +60°C

fluids (*)	temperature range (TS)	seal materials (*)
air, inert gas, filtered, lubricated or not	-10°C to +60°C	NBR (nitrile)

## MATERIALS IN CONTACT WITH FLUID

(\*) Ensure that the compatibility of the fluids in contact with the materials is verified

**Body** Light alloy  
**Internal parts** Steel, light alloy  
**Seals** NBR  
**Subbases** Light alloy



1 = P = Pressure  
 2 = U = Outlet  
 3 = E = Exhaust

## SPECIFICATIONS

pipe size	orifice size	débit at 6 bar	flow coefficient Kv	pilot pressure (bar) <sup>(1)</sup>		operating pressure (bar)		catalogue number		
				min.	max.	min.	max. (PS) air, inert gas (*)	poppet valve	+	adaptateur commande pneumatique
(G)	(mm)	l/min (ANR)	(l/min)	min.	max.					
<b>NC - Normally closed</b>										
1/2	14	3000	42	2	16	2	16	26690001		
1	22	9100	130	2	16	2	16	26790001	+	88128408
1 1/2	40	31500	450	2	16	2	16	26890284		

<sup>(1)</sup> The pilot pressure must be equal or superior to the pressure in the valve

## SUBBASES

pipe size	valve mating surface	type of port	catalogue number	reference
<b>Single subbase</b>				
G 1/2	CNOMO 06.05.82/83 AFNOR E49068/69 <b>G 1/2</b>	side	35700014	P/DP 303
G 1	CNOMO 06.05.84 AFNOR E49070 <b>G 1</b>	side	35700016	P/DP 305
G 1 1/2	CNOMO 06.05.85 AFNOR E49071 <b>G 1 1/2</b>	bottom	35700030	P/DP 307
<b>Joinable subbase</b>				
G 1/2	CNOMO 06.05.82/83 AFNOR E49068/69 <b>G 1/2</b>	side	35700034	PJ/DP 303
G 1	CNOMO 06.05.84 AFNOR E49070 <b>G 1</b>	side	35700036	PJ/DP 305

## OPTIONS

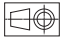
- NO valve (normally open at rest)

## INSTALLATION

- The valves can be mounted in any position without affecting operation
- Pipe connections (G) have standard thread according to ISO 228/1

## ORDERING EXAMPLES:

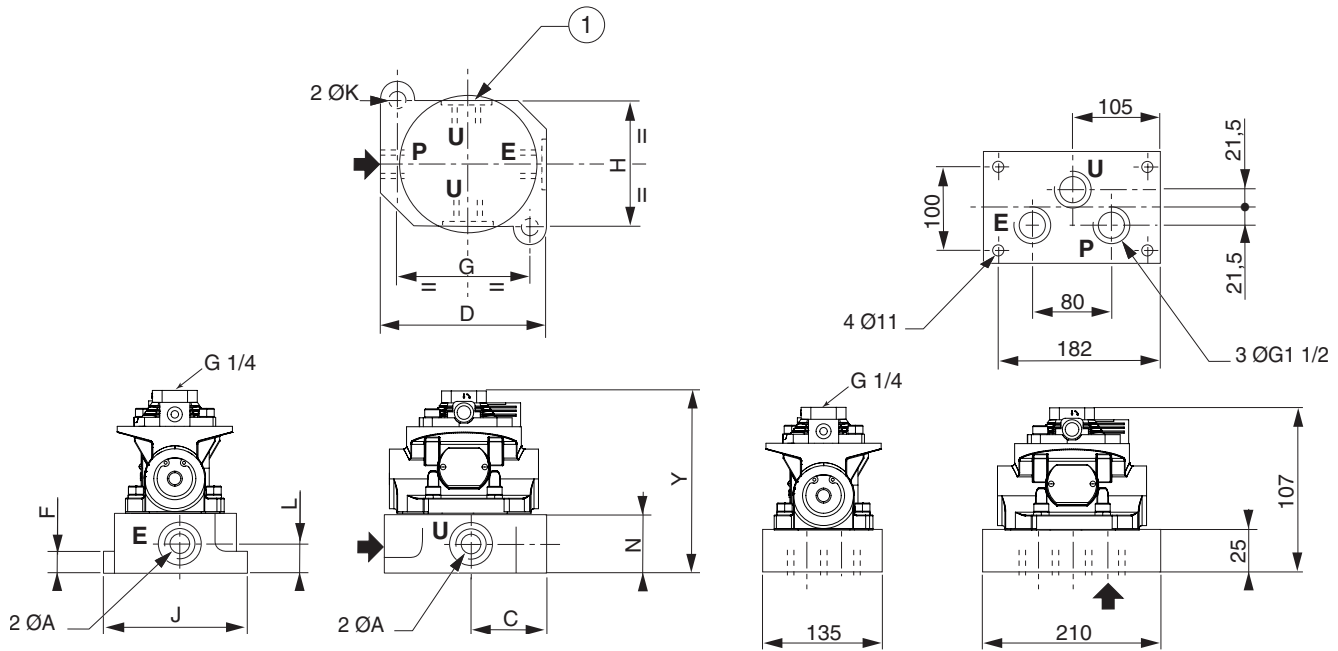
26690001	+	88128408	
26890284	+	88128408	
basic number			basic number

DIMENSIONS (mm), WEIGHT (kg) 

VALVE ON SINGLE SUBBASE

G 1/2 - G 1 (266 - 267 Series)

G 1 1/2 (268 Series)



① "U" outlet connectable on 2 ports.

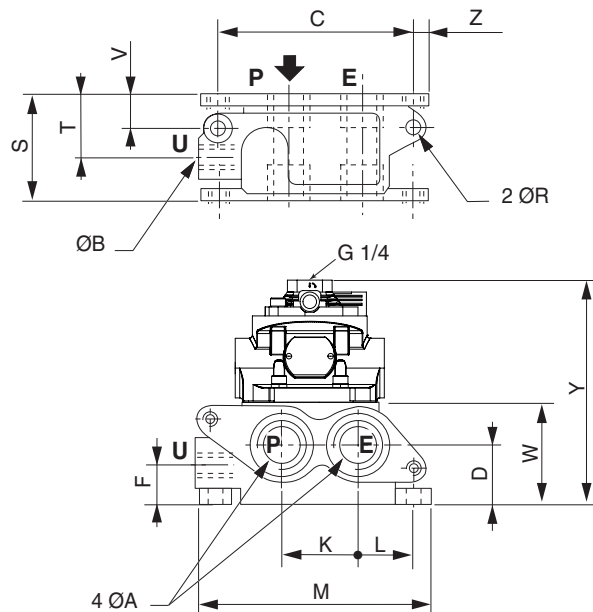
series	ØA	C	D	F	G	H	J	K	L	N	Y	weight
266	G 1/2	49	92	9	76	62	78	9	18	34	116	1,1
267	G 1	93,5	164	12	144	68	88	11	25	55	137	1,9

1 = P = Pressure  
2 = U = Outlet  
3 = E = Exhaust

series	weight
268	2,6

VALVE ON JOINABLE SUBBASE

G 1/2 - G 1 (266 - 267 Series)



series	ØA	ØB	C	D	F	L	M	R	S	T	V	W	Y	Z	weight
266	G 3/4	G 1/2	130	36	25	34	152	11	85	56	28	65	147	11	1,7
267	G 1 1/4	G 1	172	56	37	45	203	14	104	63	32	95	177	14	3,3