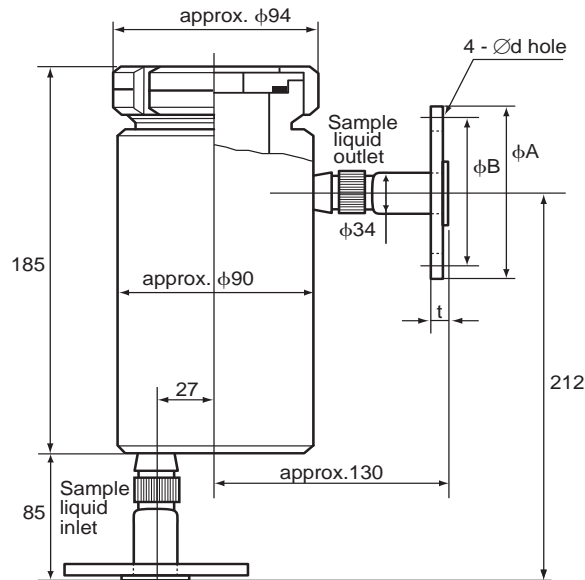


Drawings

EXA ISC

Model ISC40FFJ- P □ / F □ □, ISC40FFJ- F □ / F □ □ Inductive Conductivity Metering System Flow-through Type Holder with Flange

Unit : mm

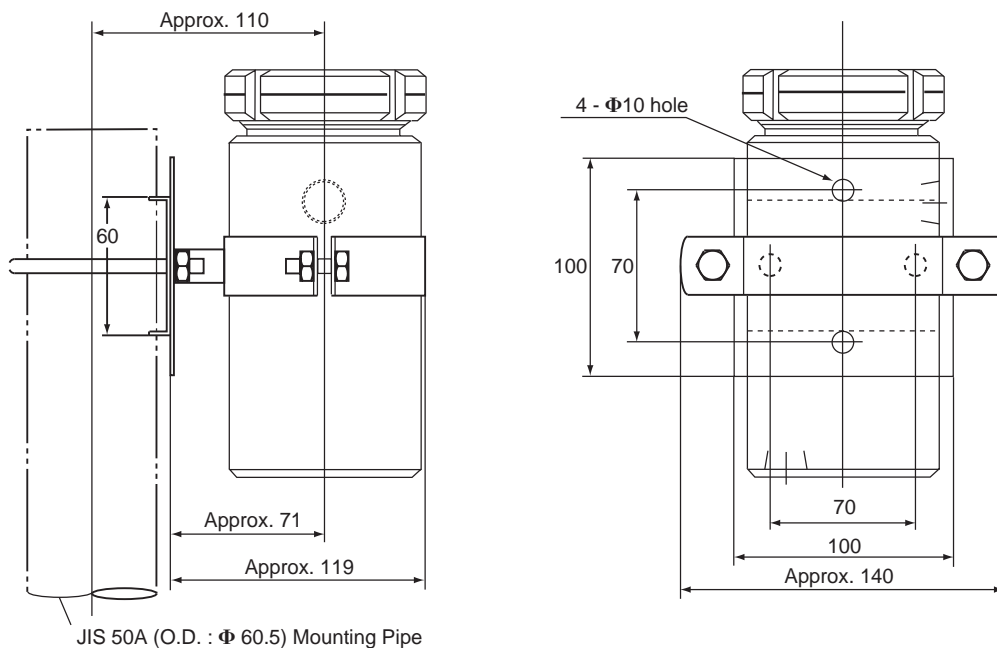


ISC40FFJ - PA, - PJ, -FA, -FJ / FP2, / FPJ2, / FF2, / FFJ2 (with flange)

Model code	Flange standard	A	B	d	t	Weight (kg)
ISC40FFJ - PJ / FPJ2	JIS 10K 25 RF	125	90	19	approx. 20	Approx. 3.2 kg
ISC40FFJ - FJ / FFJ2						Approx. 3.9 kg
ISC40FFJ - PA / FP2	DIN PN10 DN25	115	85	14	approx. 19	Approx. 3.2 kg
ISC40FFJ - FA / FF2						Approx. 3.9 kg

□ Mounting Bracket-(Option Code : "/MP")

Weight : Approx. 0.5 Kg



JIS 50A (O.D. : φ 60.5) Mounting Pipe

Unless otherwise specified, differences in the dimensions are specified as : General tolerance=±(Criteria of tolerance class IT18 in JIS B0401-1986)/2.