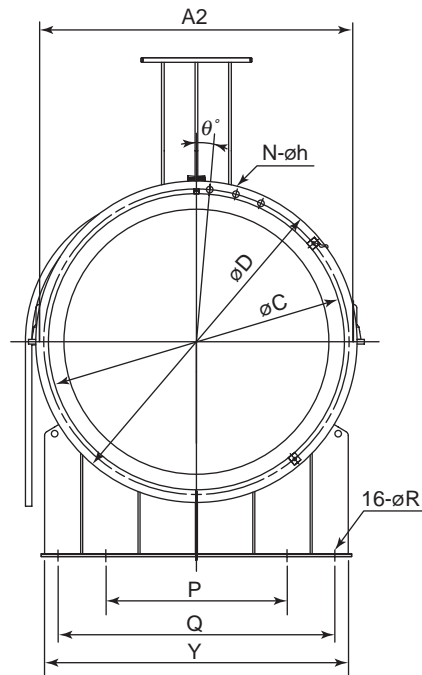
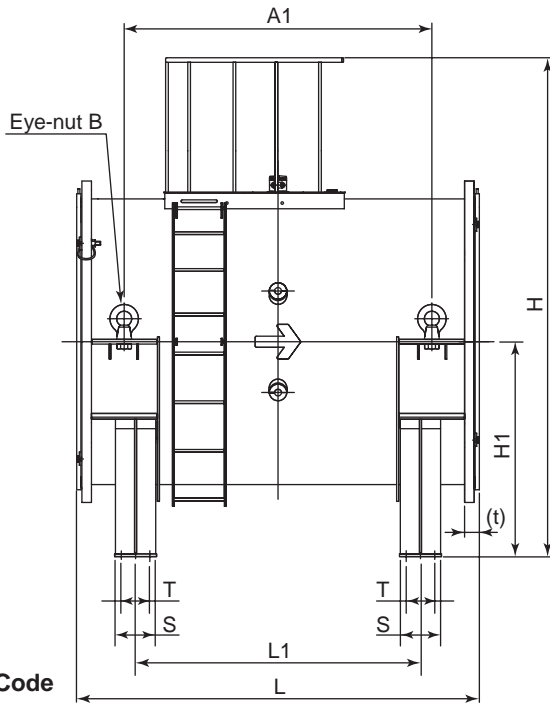


AXF Remote Flowtube  
AXF Standard (JIS Flange)  
Polyurethane Rubber Lining



Unit : mm  
(approx. inch)

Model Code

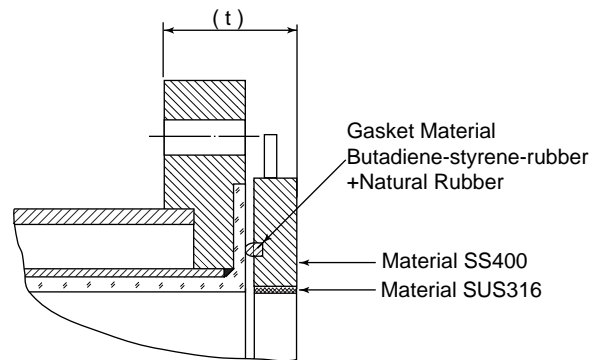
- AXF16L
- AXF18L
- AXF20LG — N N U L 1 S — C G 1 1
- AXF22LW
- AXF24L
- AXF26L

| Model                        | Process Connection  |                                | CG1(JIS F12)                                |  |  |  |  |  |                                |
|------------------------------|---------------------|--------------------------------|---|--|--|--|--|--|--------------------------------|
|                              | Size code           |                                | 16L   | 18L  | 20L  | 22L  | 24L  | 26L  |                                |
|                              | Size                |                                | 1600<br>(64)                                | 1800<br>(72)                                 | 2000<br>(80)                                 | 2200<br>(88)                                 | 2400<br>(96)                                 | 2600<br>(104)                                |                                |
|                              | Lining code         |                                | U   | U  | U  | U  | U  | U  |                                |
| Remote Flowtube              | Face-to-face length | L                              | 2400 <sup>0</sup> <sub>-10</sub><br>(94.49) | 2610 <sup>0</sup> <sub>-10</sub><br>(102.76) | 2800 <sup>0</sup> <sub>-10</sub><br>(110.24) | 2970 <sup>0</sup> <sub>-10</sub><br>(116.93) | 3120 <sup>0</sup> <sub>-10</sub><br>(122.83) | 3300 <sup>0</sup> <sub>-10</sub><br>(129.92) |                                |
|                              |                     | Interval 1                     | A1  | 1834<br>(72.20)                              | 2022<br>(79.61)                              | 2191<br>(86.26)                              | 2325<br>(91.54)                              | 2421<br>(95.31)                              | 2550<br>(100.39)               |
|                              | Eye-nut             | Interval 2                     | A2  | 1872<br>(73.70)                              | 2078<br>(81.81)                              | 2300<br>(90.55)                              | 2520<br>(99.21)                              | 2724<br>(107.24)                             | 2946<br>(115.98)               |
|                              |                     | Size                           | B   | M48  | M48  | M48  | M48  | M64  | M64                            |
|                              | Support             | Width                          | S   | 250<br>(9.84)                                | 250<br>(9.84)                                | 250<br>(9.84)                                | 300<br>(11.81)                               | 300<br>(11.81)                               | 300<br>(11.81)                 |
|                              |                     | Length                         | Y   | 1850<br>(72.83)                              | 2000<br>(78.74)                              | 2220<br>(87.40)                              | 2420<br>(95.28)                              | 2620<br>(103.15)                             | 2820<br>(111.02)               |
|                              |                     | Interval                       | L1  | 1698<br>(66.85)                              | 1864<br>(73.39)                              | 2010<br>(79.13)                              | 2172<br>(85.51)                              | 2218<br>(87.32)                              | 2300<br>(90.55)                |
|                              | Mounting Bolt       | Interval                       | Q   | 1080 <sup>±3</sup><br>(42.52)                | 1180 <sup>±3</sup><br>(46.46)                | 1300 <sup>±3</sup><br>(51.18)                | 1430 <sup>±3</sup><br>(56.30)                | 1560 <sup>±3</sup><br>(61.42)                | 1700 <sup>±3</sup><br>(66.93)  |
|                              |                     |                                | P   | 1650 <sup>±3</sup><br>(64.96)                | 1800 <sup>±3</sup><br>(70.87)                | 2000 <sup>±3</sup><br>(78.74)                | 2200 <sup>±3</sup><br>(86.61)                | 2400 <sup>±3</sup><br>(94.49)                | 2600 <sup>±3</sup><br>(102.36) |
|                              |                     | T                              | 170 <sup>±1</sup><br>(6.69)                 | 170 <sup>±1</sup><br>(6.69)                  | 170 <sup>±1</sup><br>(6.69)                  | 200 <sup>±1</sup><br>(7.87)                  | 200 <sup>±1</sup><br>(7.87)                  | 200 <sup>±1</sup><br>(7.87)                  |                                |
|                              |                     | Hole dia.                      | øR  | 22<br>(0.87)                                 | 22<br>(0.87)                                 | 22<br>(0.87)                                 | 22<br>(0.87)                                 | 22<br>(0.87)                                 | 22<br>(0.87)                   |
|                              | Outside dia.        | øD                             | 1915<br>(75.39)                             | 2115<br>(83.27)                              | 2325<br>(91.54)                              | 2550<br>(100.39)                             | 2760<br>(108.66)                             | 2960<br>(116.54)                             |                                |
|                              | Thickness           | t <sup>*1</sup>                | 88<br>(3.46)                                | 90<br>(3.54)                                 | 92<br>(3.62)                                 | 95<br>(3.74)                                 | 97<br>(3.82)                                 | 101<br>(3.98)                                |                                |
|                              | Pitch circle dia.   | øC                             | 1820<br>(71.65)                             | 2020<br>(79.53)                              | 2230<br>(87.80)                              | 2440<br>(96.06)                              | 2650<br>(104.33)                             | 2850<br>(112.20)                             |                                |
|                              | Bolt hole interval  | θ°                             | 5   | 4.1  | 3.75   | 3.5  | 3.2  | 3.2  |                                |
|                              | Hole dia.           | øh                             | 39<br>(1.54)                                | 39<br>(1.54)                                 | 46<br>(1.81)                                 | 46<br>(1.81)                                 | 46<br>(1.81)                                 | 52<br>(2.05)                                 |                                |
| Number of holes              | N                   | 36<br>(1.42)                   | 44<br>(1.73)                                | 48<br>(1.89)                                 | 52<br>(2.05)                                 | 56<br>(2.20)                                 | 56<br>(2.20)                                 |  |                                |
| Height                       | H1                  | 1280 <sup>±16</sup><br>(50.39) | 1350 <sup>±16</sup><br>(53.15)              | 1450 <sup>±16</sup><br>(57.09)               | 1550 <sup>±16</sup><br>(61.02)               | 1700 <sup>±16</sup><br>(66.93)               | 1700 <sup>±16</sup><br>(66.93)               |  |                                |
| Max. Height                  | H                   | 2972<br>(117.01)               | 3153<br>(124.13)                            | 3347<br>(131.77)                             | 3554<br>(139.92)                             | 3813<br>(150.12)                             | 3917<br>(154.21)                             |  |                                |
| Weight kg (lb) <sup>*2</sup> |                     | 3650<br>(8046.9)               | 5270<br>(11618.3)                           | 6500<br>(14330.0)                            | approx.<br>8400<br>(18518.8)                 | approx.<br>10000<br>(22046.2)                | approx.<br>14500<br>(31967.0)                |  |                                |

Lining code: U; Polyurethane Rubber

T01.EPS

Flange Detail



F01-1.EPS

- \*1: The value before the gasket is tightened.
- \*2: When submersible type or option code DHC is selected, waterproof glands and a 30m long cable are attached. Add 9.5kg(20.9lb) to the weight in the table.

Remote Flowtube

Terminal configuration Terminal wiring

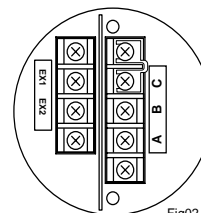


Fig02.EPS

| Terminal Symbols | Description        |                          |
|------------------|--------------------|--------------------------|
| A<br>B<br>C      | Flow signal output |                          |
| EX1<br>EX2       |                    | Excitation current input |
| ⊕                |                    |                          |

Fig02-2.EPS

Unless otherwise specified, difference in the dimensions are specified as : General tolerance = ± (Criteria of tolerance class IT18 in JIS B0401) / 2