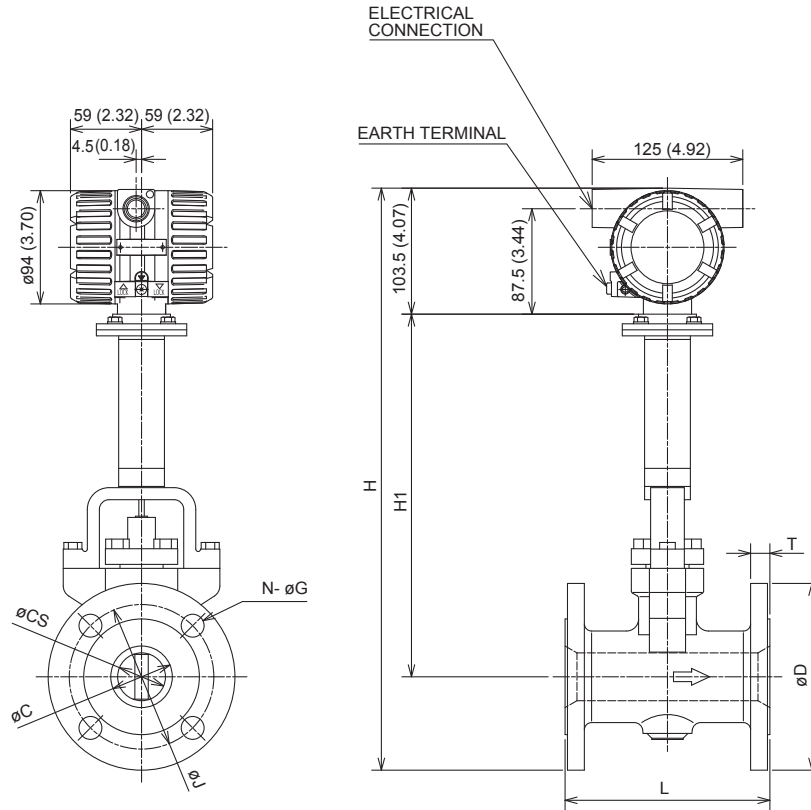


# Drawings

digitalYEWFLO Series Vortex Flowmeter High Process Temperature Version (/HT),  
 Reduced Bore Type (/R1)  
 Remote, Flange  
 [DY040, DY050, DY080]

SD 01F06A00-12EN

Unit : mm  
 (approx. inch)



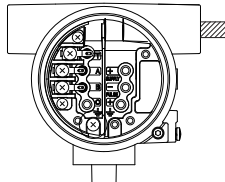
| TYPE               | REMOTE        |               |             |              |             |             |               |              |             |               |              |               |
|--------------------|---------------|---------------|-------------|--------------|-------------|-------------|---------------|--------------|-------------|---------------|--------------|---------------|
| MODEL CODE         | DY040/HT/R1   |               |             |              | DY050/HT/R1 |             |               |              | DY080/HT/R1 |               |              |               |
| PROCESS CONNECTION | BJ1           | BJ2           | BA1 BS1     | BA2 BS2      | BJ1         | BJ2         | BA1 BS1       | BA2 BS2      | BJ1         | BJ2           | BA1 BS1      | BA2 BS2       |
| L                  | 150 (5.90)    |               |             |              | 170 (6.69)  |             |               |              | 200 (7.87)  |               |              |               |
| C                  | 39.7 (1.56)   |               |             |              | 51.1 (2.01) |             |               |              | 71 (2.79)   |               |              |               |
| CS                 | 25.7 (1.01)   |               |             |              | 39.7 (1.56) |             |               |              | 51.1 (2.01) |               |              |               |
| D                  | 140 (5.51)    | 140 (5.51)    | 127 (5.00)  | 155.4 (6.12) | 155 (6.10)  | 155 (6.10)  | 152.4 (6.00)  | 165.1 (6.50) | 185 (7.28)  | 200 (7.87)    | 190.5 (7.50) | 209.6 (8.25)  |
| H                  | 445.5 (17.54) | 445.5 (17.54) | 439 (17.28) | 453 (17.83)  | 460 (18.11) | 460 (18.11) | 458.5 (18.05) | 465 (18.30)  | 497 (19.57) | 504.5 (19.86) | 500 (19.68)  | 509.5 (20.05) |
| H1                 | 272 (10.71)   |               |             |              | 279 (10.98) |             |               |              | 301 (11.85) |               |              |               |
| T                  | 16 (0.63)     | 18 (0.71)     | 17.5 (0.69) | 20.6 (0.81)  | 16 (0.63)   | 18 (0.71)   | 19.1 (0.75)   | 22.4 (0.88)  | 18 (0.71)   | 22 (0.87)     | 23.9 (0.94)  | 28.4 (1.11)   |
| J                  | 105 (4.13)    | 105 (4.13)    | 98.6 (3.88) | 114.3 (4.50) | 120 (4.72)  | 120 (4.72)  | 120.7 (4.75)  | 127 (5.00)   | 150 (5.91)  | 160 (6.30)    | 152.4 (6.00) | 168.2 (6.62)  |
| N                  | 4             |               |             |              | 4           |             |               |              | 8           |               |              |               |
| G                  | 19 (0.75)     | 19 (0.75)     | 15.7 (0.62) | 22.4 (0.88)  | 19 (0.75)   | 19 (0.75)   | 19 (0.75)     | 19 (0.75)    | 19 (0.75)   | 23 (0.91)     | 19 (0.75)    | 22.4 (0.88)   |
| WEIGHT kg (lb)     | 10 (22.0)     | 10.5 (23.1)   | 9.8 (21.6)  | 13 (28.7)    | 10.9 (24.0) | 11.5 (25.4) | 11.8 (26.0)   | 14 (30.9)    | 19 (41.9)   | 22.1 (48.7)   | 22.3 (49.2)  | 27.3 (60.2)   |

(Note 1) The flow direction is opposite (right to left when facing onto indicator) in case of code/CRC.

### Terminal Wiring

|                      |   |                                      |
|----------------------|---|--------------------------------------|
| Remote Type Detector | T | Built-in Temperature Sensor Terminal |
|                      | A | Signal Output Terminals              |
|                      | B |                                      |
|                      | C | Common Terminal                      |
|                      | ⊥ | Grounding Terminal                   |

\* Use DYC signal cable for remote type.  
 \* T is used for /MV only.



Remote type