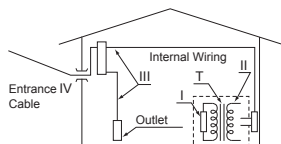


■ Safety and EMC Standards

- Safety: Approved by CAN/CSA C22.2 No.61010-1(CSA), approved by UL61010-1.
Installation category: CAT. II
Pollution degree: 2
Device is to be connected to a class 2 circuit only.

Category	Description	Remarks
CAT.I	For measurements performed on circuits not directly connected to MAINS.	
CAT.II	For measurements performed on circuits directly connected to the low voltage installation.	Appliances, portable equipments, etc.
CAT.III	For measurements performed in the building installation.	Distribution board, circuit breaker, etc.
CAT.IV	For measurements performed at the source of the low-voltage installation.	Overhead wire, cable systems, etc.



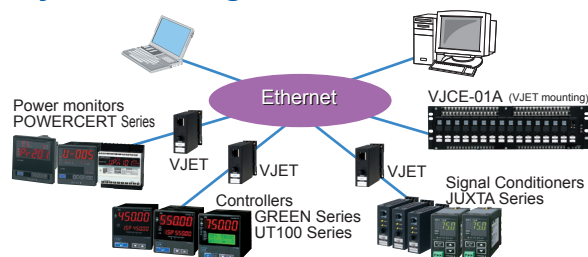
- EMC Standards:
Compliant with CE marking EN 61326-1.
KC marking: Electromagnetic wave interference prevention standard, electromagnetic wave protection standard compliance.

The above certified/approved instrument is only for voltage of 24 V DC $\pm 10\%$.

■ Environmental Conditions

- Operating temperature range: 0 to 50°C (Note)
- Operating humidity range: 5 to 90% RH (no condensation)
- Ambient Condition: Avoid installation in such environments as corrosive gas like sulfide hydrogen, dust, sea breeze and direct sunlight. Installation altitude 2000m or less above sea level.
- (Note) When using the VJET for side-by-side multiple mounting, mount the VJET in either the left or right end of the mounted instruments.

■ System Configuration



■ Mounting and Appearance

- Material: Modified Polyphenylene Oxide (Case body)
- Mounting Method: Wall, DIN rail, or dedicated VJ mounting base mountings (VJCE-01A)
- Connection Method: M3 screw terminal
- External Dimension: 76 (H)x29.5 (W)x124.5 (D) mm (including a socket)
- Weight: Approx. 120 g (main unit), approx. 51 g (socket)

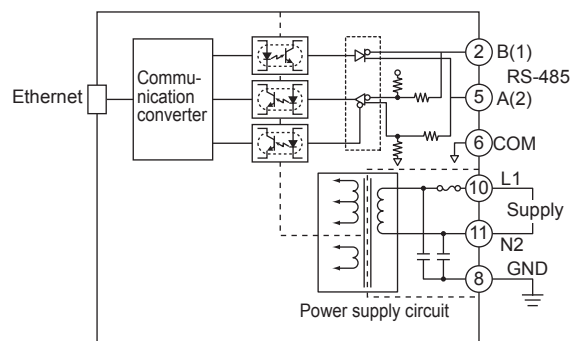
■ Accessories

- Tag number label: One
- Terminator (220 Ω): One (When option code "/R220" is specified)

■ Terminal Assignments

1	N.C.
2	RS-485 (B1)
3	N.C.
4	N.C.
5	RS-485 (A2)
6	RS-485 (COM)
7	N.C.
8	GND
9	N.C.
10	Supply (L1)
11	Supply (N2)

■ Block Diagrams



■ Link LED and Activity LED

The VJET has Link LED (lower side) and Activity LED (upper side) on the connector part of the front. These LEDs turn on in green or amber. (See the External Dimensions.)

Link LED (Lower side)		Activity LED (Upper side)	
Color	Meaning	Color	Meaning
Off	No Link	Off	No Activity
Amber	10 Mbps	Amber	Half-Duplex
Green	100 Mbps	Green	Full-Duplex

