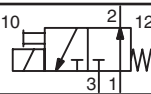


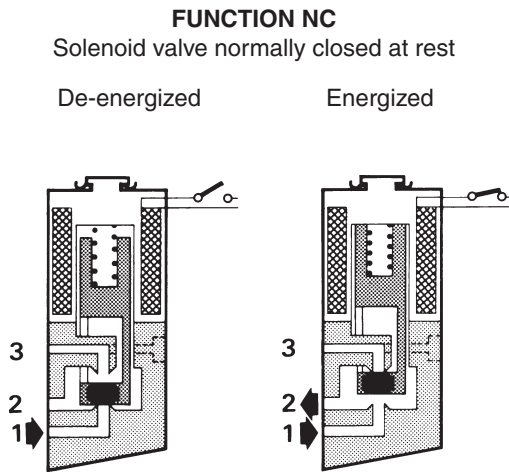
Series 192

CHOICE OF EQUIPMENT

FUNCTION NO								10  12		1 = Exhaust 2 = Outlet 3 = Pressure	
De-energized Solenoid valve normally open at rest								CODES			
Orifice Ø (mm)	Flow		Coefficient KV	Allowable differential pressure ΔP (bar)		Manual override	= Solenoid valve with coil and M12 connection			Voltage / frequency	
	at 6 bar l/min (ANR)	3 → 2 2 → 1		mini	maxi		~ Solenoid valve with coil without connector with terminal protection				
3 → 2 2 → 1	3 → 2 2 → 1	3 → 2 2 → 1	0	10	×	19261088	19261051	19261067	115V 50 Hz 120V 60 Hz		
2,1	1,9	112	105	1,6	1,5	●	19261082	-			
						▼	19261081	19261068	120V 60 Hz		

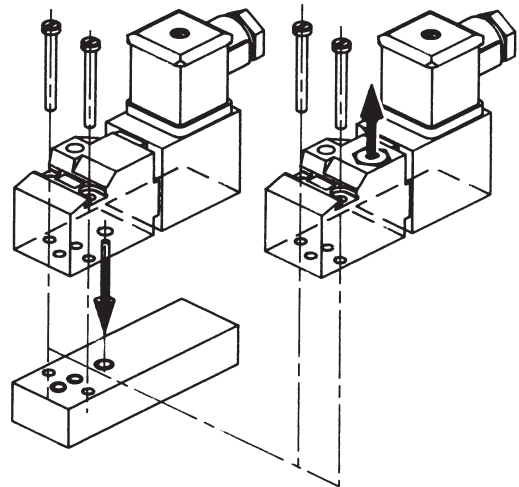
Type of manual override : × : without ● : screwdriver ▼ : impulse

FUNCTIONAL DIAGRAM



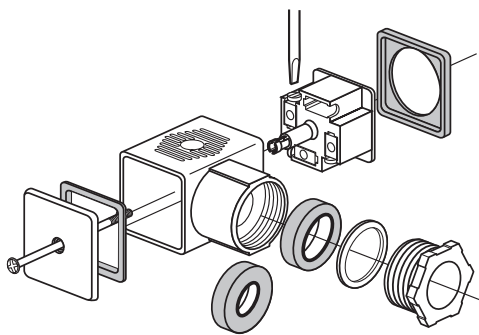
SELECTION OF THE EXHAUST PORT

- To the subbase
- To front side (G1/8) equipped with an exhaust plug





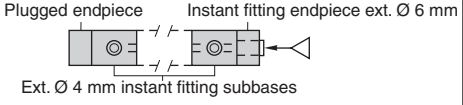
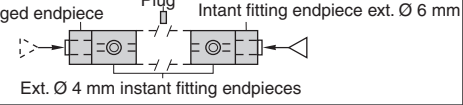


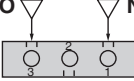
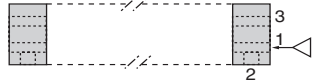
CONNECTION TO SIZE 30 CONNECTOR

Easier and faster electrical connection.
Connector delivered with 2 sealing rings
for cable Ø 8 - 10 mm or cable Ø 6 - 8 mm.



Top cover removable so that one can check that the coil is energized without unplugging the connector and hence **without interrupting operation** of the solenoid valve.

SUBBASES

Connection	Type	Composition	CODES
With instant fittings	1 single subbase		35300069
	1 joinable subbase		35300070
	Set of 2 juxtaposable end subbases, right-hand pressure intake, ext. Ø 6 mm instant fitting		35300071
	Set of 2 joinable end subbases, right-hand and/or left-hand pressure intake, ext. Ø 6 mm instant fittings (1)		35300072
G 1/8 threads	1 single lateral subbase 2 connectable ports		35300047
	1 laterally-connected juxtaposable subbase		35300048
G 1/4 threads	1 single subbase 3 connectable ports		35300049
	1 joinable subbase 3 connectable ports lateral bore Function NF - NO (2)		35300057

These subbases can be directly mounted on symmetrical EN 50022 - AFNOR NF C 63015 standard rail using 2 or more clips (clips sold in packets of 10, code **33400036**).

(1) Equipment can be used for 2 different pressure intakes.

(2) The NC or NO function is obtained by using a specific NC or NO solenoid valve and by reversing position on the subbase.

DIMENSIONS AND WEIGHTS

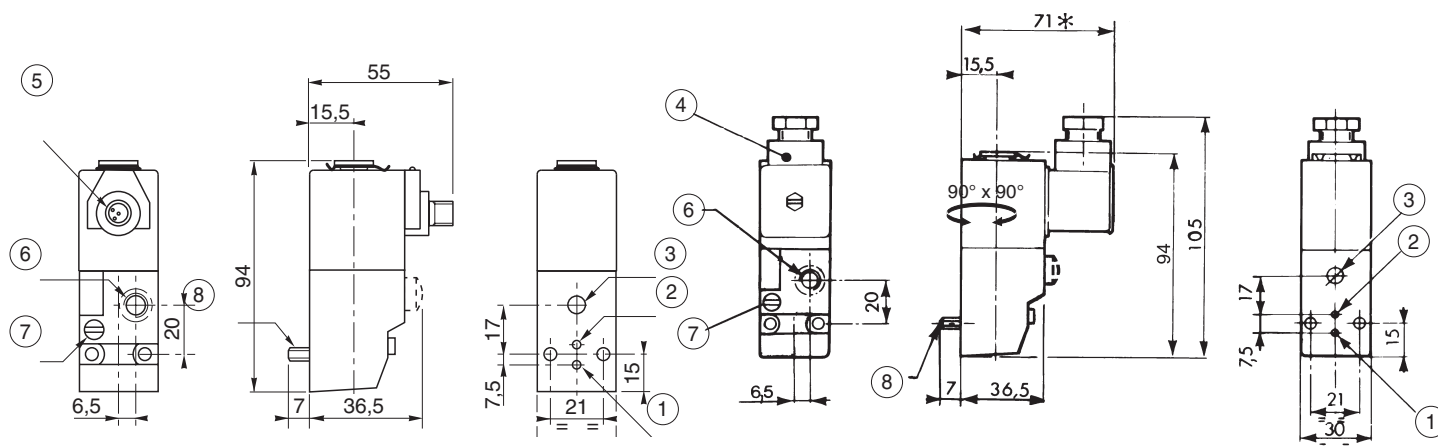
SINGLE MOUNTED SOLENOID VALVE

with **M12 - 5 pins connector**

Weight : 0,270 kg

with **ISO 4400 connector** (connector to be ordered separately)

Weight : 0,270 kg



(*) + 15 mm for plug removal

U : Pressure entry through any port

① Port 1 : Pressure (NC) - Exhaust (NO)

② Port 2 : Outlet

③ Port 3 : Exhaust (NC) - Pressure (NO)

④ Connector rotatable through 90°

⑤ M12 - 5 pins connector

⑥ On request : exhaust port G 1/8 with front side protector (NC only)

⑦ Manual override possible by impulse, screw or button

⑧ Secured by screw CM4 x 35

Series 192

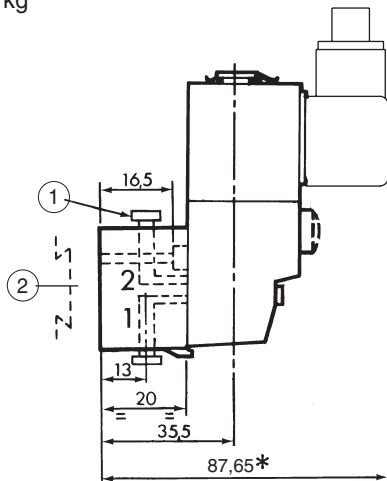
DIMENSIONS AND WEIGHTS

SOLENOID VALVE MOUNTED ON SINGLE INSTANT FITTING SUBBASE

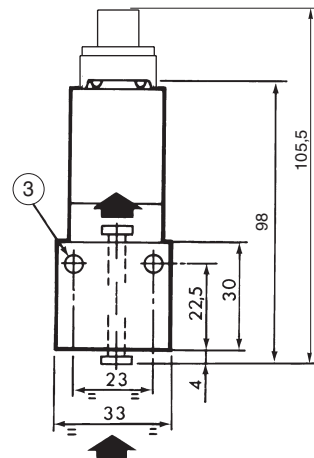
With ISO 4400 connector

Subbase : code **35300069**

Weight : 0,285 kg



Bottom view

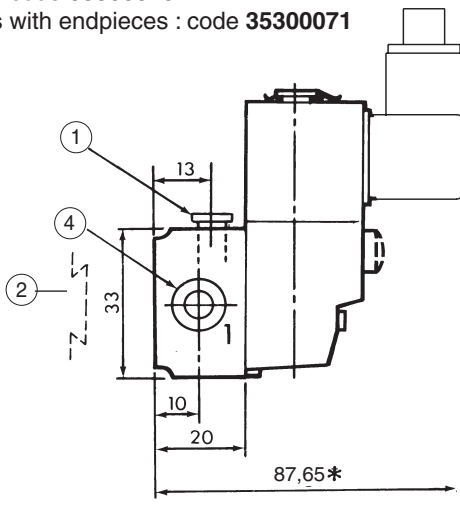


SOLENOID VALVE MOUNTED ON JOINABLE INSTANT FITTING SUBBASE

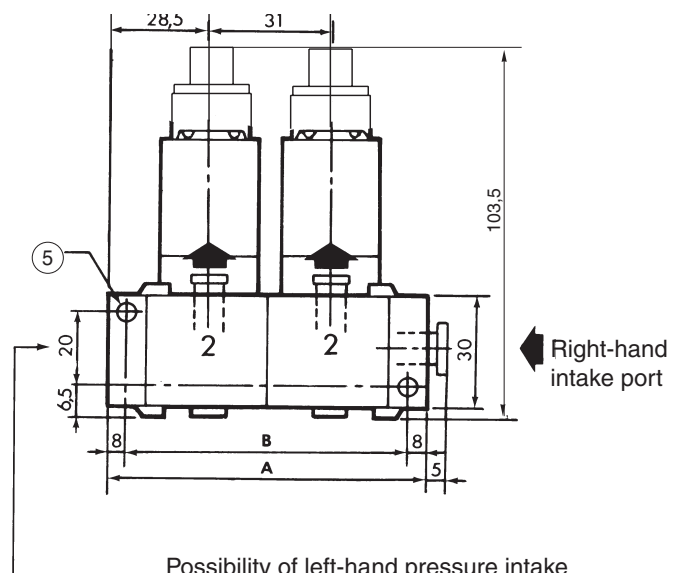
With ISO 4400 connector

Subbase : code **35300070**

Subbases with endpieces : code **35300071**



Bottom view

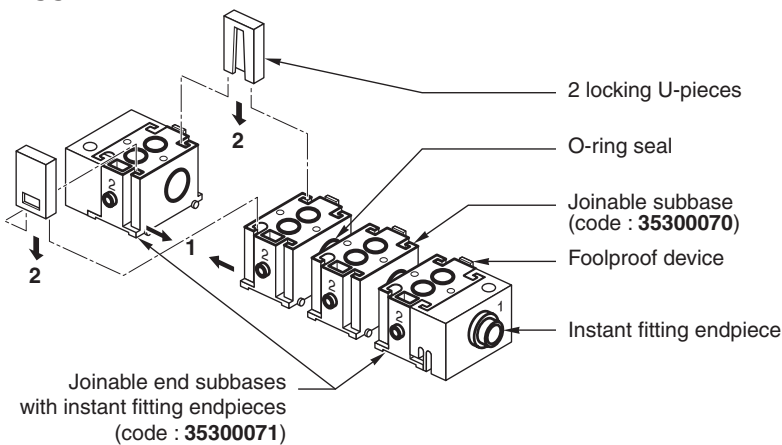


DIMENSION	Number of subbases						
	2	3	4	5	6	7	8
A	88	119	150	181	212	243	274
B	72	103	134	165	196	227	258
Weight (kg) SV + S, base	0,595	0,880	1,165	1,450	1,735	2,020	2,305

Possibility of left-hand pressure intake or 2 different pressure intakes by procuring the set of 2 end subbases code : **35300072**

When mounted on DIN rail, it is recommended to use a securing clip on the end subbases as well as on the central subbase

ASSEMBLY



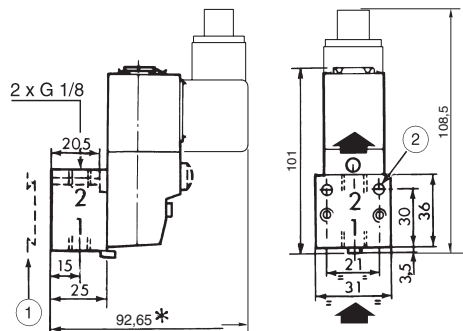
- ① Instant fitting connection for ext. Ø 4mm tube
- ② Adaptable clips
- ③ 2 Ø 3,5, securing holes Ø 6,5, counterbores depth 3,5
- ④ Instant fitting connection for ext. Ø. 6mm tube
- ⑤ 2 Ø 4,5 securing holes
- (*) + 15 mm for connector clearance

DIMENSIONS AND WEIGHTS

SOLENOID VALVE MOUNTED ON SINGLE SUBBASE

With ISO 4400 connector

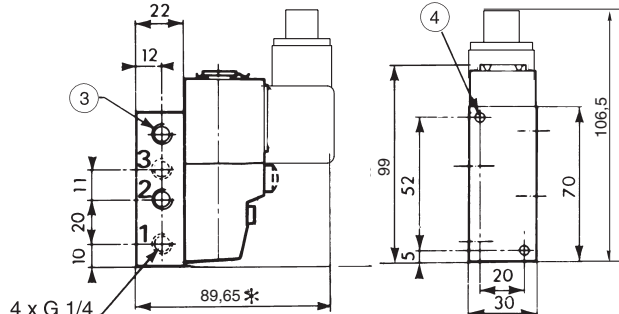
G 1/8
 Weight SV
 + subbase :
 0,335 kg
 NC function only
 2 connectable ports
 Subbase : code **35300047**



G 1/4
 Weight SV
 + subbase :
 0,395 kg
 NC-NO or U function
 3 connectable ports
 Subbase : code **35300049**

Ports	Connection	
	NC	NO
3	Exhaust	Pressure
2	Outlet	Outlet
1	Pressure	Exhaust

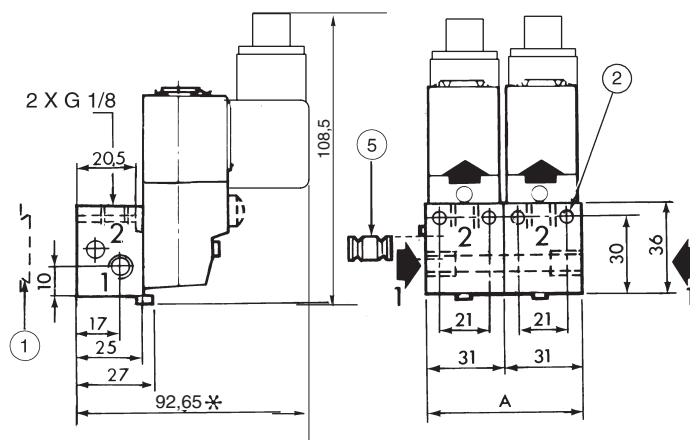
U : Pressure entry through any port



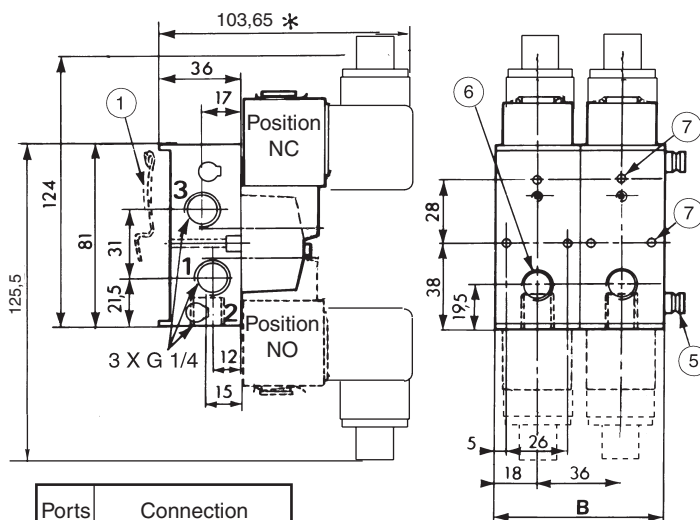
SOLENOID VALVE MOUNTED ON JOINABLE SUBBASE

With ISO 4400 connector

G 1/8
 NC function only
 2 connectable ports
 Subbase : code **35300048**



G 1/4
 NC-NO or U function
 3 connectable ports
 Subbase : code **35300057**



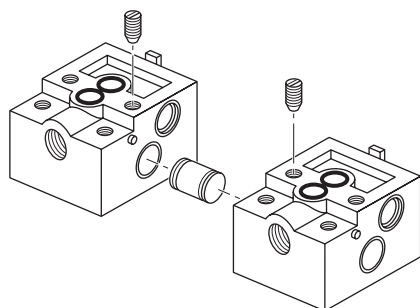
DIMENSION	Number of subbases							
	2	3	4	5	6	7	8	
A	62	93	124	155	186	217	248	
B	72	108	144	180	216	252	288	
Weight (kg)	G 1/8	0,740	1,110	1,480	1,850	2,220	2,590	2,960
SV + subbase	G 1/4	0,880	1,320	1,760	2,200	2,640	3,080	3,520

Ports	Connection	
	NC	NO
3	Exhaust	
2	Outlet	
1	Pressure	

Subbases delivered with seals, screws and joining units for complete assembly.

ASSEMBLY

Joinable subbases put together by joining units locked by sunken set screws.



- ① Adaptable clips
 - ② 2 Ø 4,5 securing holes
 - ③ Non-used port
 - ④ 2 Ø 4,5, securing holes counterbore Ø 8, depth : 6
 - ⑤ Joining unit for putting subbase together. Locked by sunken set screws.
 - ⑥ Port 2 accessible by removing cap
 - ⑦ Securing : 3 Ø 4,5 holes counter-bores : Ø 7,5 depth : 6
- (*) + 15 mm for connector clearance

When mounted on DIN rails, it is recommended to use 1 securing clip on each end subbase as well as on the central subbase.