

# MS828

## NEMA 4X/IP65 Enclosure with Instrument Panel

### Features

- Compatible with all Standard Size 1/8 DIN Series Products
- Meets NEMA 4X/IP65 Specs.
- Quick-Release Latches
- Hinged Cover
- Light Weight



### Application:

Ideal for use in most petrochemical plants, sewage plants, food processing areas, packing plants, electroplating plants, etc.

### Material:

Cover/Base - Ultraguard® Fiberglass reinforced polyester (Color RAL 7035)  
 Fasteners - 304 series stainless steel  
 Back panel inserts - Brass  
 Gasket - Closed cell neoprene  
 Mounting Feet - 304 series stainless steel

### Test Spec:

Construction meets NEMA/EEMAC Type 1, 2, 3, 4, 4X, 12 & 13  
 UL® 508 listed; Type 1, 2, 3, 3R, 4, 4X, 12, and 13  
 CSA-C22 No. 14; Type 1, 2, 3, 3R, 4, 4X, 12, and 13  
 IEC60529 Type IP66  
 Compliant with RoHS (Restriction of Hazardous Substances)

### Ordering Information

**Example:** MS828 SC IP 1 1/8DIN HL Price

**Series:** \_\_\_\_\_

MS827 = NEMA4x/IP65 Enclosure

**Cover Style:** \_\_\_\_\_  
 SC = Solid Cover (opaque)  
 WC = Window Cover (see through)

**Instrument Panel:** \_\_\_\_\_  
 (blank) = None  
 IP = Instrument Panel

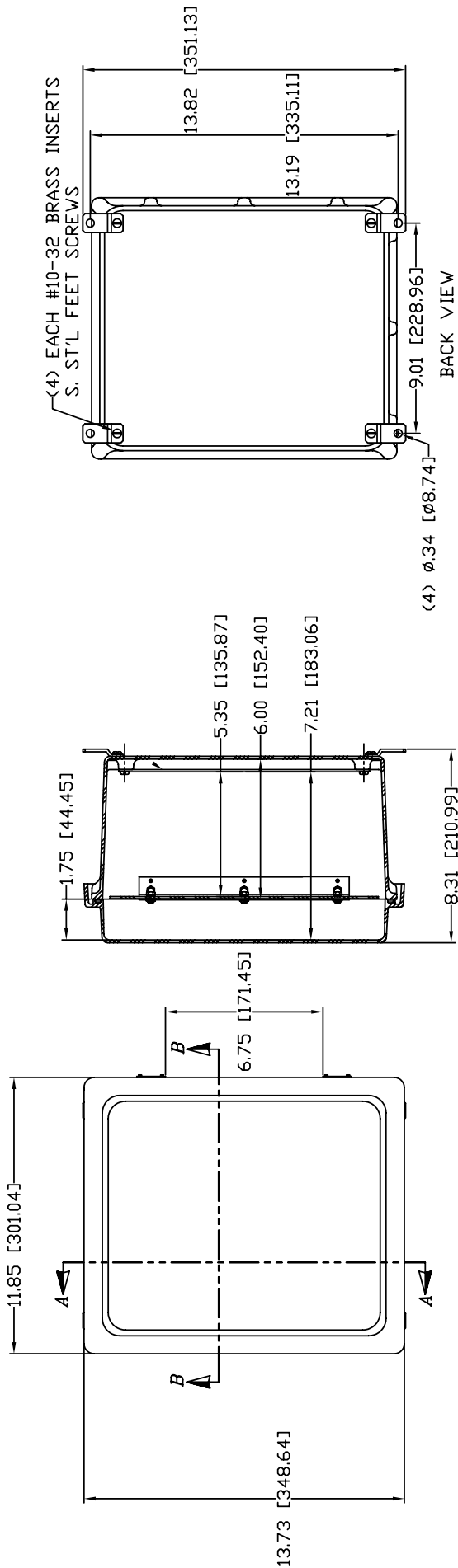
**Number of cutouts:** \_\_\_\_\_  
 # = Specify number of cutouts for instrument panel (consult factory)

**Cutout Type:** \_\_\_\_\_  
 1/8DIN = Cutout for 1/8 DIN Series (MRT, INT69, etc.)

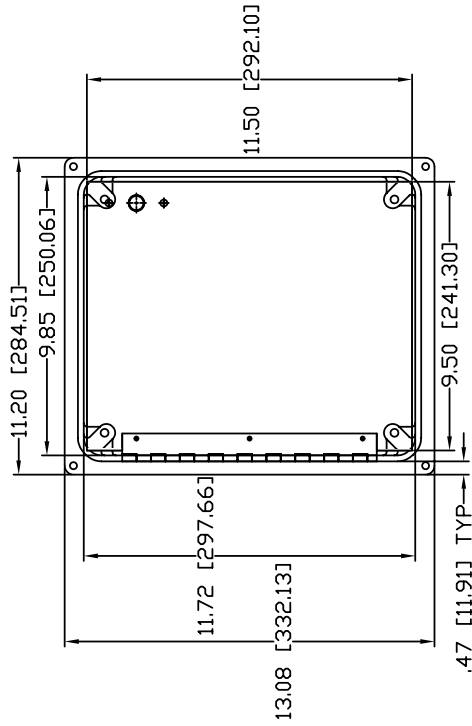
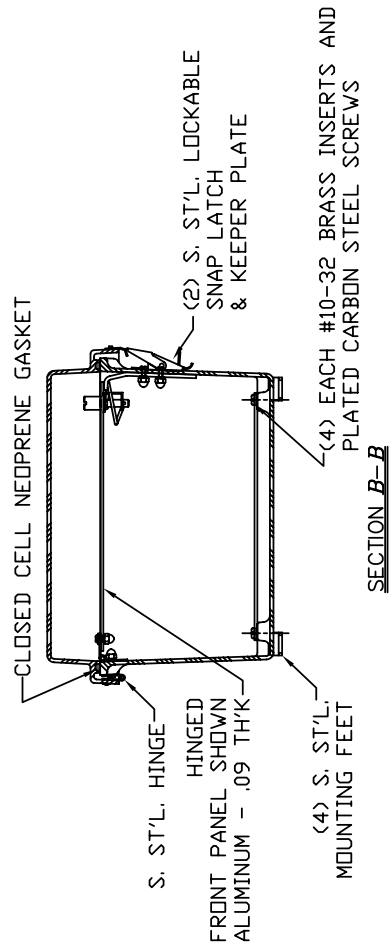
**Hinge Location:** \_\_\_\_\_  
 HL - Hinge Left, hinge located on left  
 HT - Hinge Top, hinge located on top

**Options:**  
 A = Assembled by KEP, Product will be mounted in enclosure before shipment.  
 SP - Sub-Panel  
 DR1 - Single DIN Rail Installed for accessory mounting  
 SW - Power Disconnect Switch  
 TB - Terminal Block in Auxiliary Enclosure  
 PW - Internal Pre-wired by KEP

**Description of all pre-wiring work and a wiring sketch required when requesting quotes and when ordering.**



SECTION A-A



FRONT VIEW WITH LID REMOVED

MATERIAL:  
 BOX - COMPRESSION MOLDED FIBERGLASS REINFORCED POLYESTER  
 COVER - COMPRESSION MOLDED FIBERGLASS REINFORCED POLYESTER  
 WINDOWS - POLYCARBONATE