

MS811 - NEMA^{trol}

NEMA 4X/IP65 Enclosures For 'trol, 1/8 DIN & SUPERtrol Cases

Features

- Compatible with all Standard Size "trol" & SUPERtrol Products
- Meets NEMA 4X/IP65 Specs.
- Quick-Release Latches
- Hinged Cover
- Light Weight

Ordering Information

Part Number

MS811-NEMA 4x0 (NEMA 4X enclosure with no cutout)

MS811-NEMA^{trol}4X

(NEMA 4X enclosure for all standard 'trol units
7.365" x 2.495" cutout)

MS811-NEMA^{trol} 4x1 (1 cutout)

MS811-NEMA^{trol} 4x2 (2 cutouts)

MS811-NEMAST4X

(NEMA 4X enclosure for SUPERtrol &
LEVELtrol II series)

MS811-NEMAST 4x1

(1- 5.43" x 2.68" cutout for SUPERtrol series)

MS811-NEMAST 4x2

(2- 5.43" x 2.68" cutout for SUPERtrol series)

MS811-NEMA-1/8DIN

(NEMA 4X enclosure for all 1/8 DIN size units)

MS811-NEMA-1/8DIN 4x1 (1- 3.622" x 1.772" cutout)

MS811-NEMA-1/8DIN 4x2 (2- 3.622" x 1.772" cutouts)

MS811-NEMA-1/8DIN 4x3 (3- 3.622" x 1.772" cutouts)

MS811-NEMA-1/8DIN 4x4 (4- 3.622" x 1.772" cutouts)

MS811-NEMA-MT80XX

(NEMA 4X enclosure for MT8000 Series)

MS811-NEMA-MT8050

(NEMA 4X enclosure with cutout for one
MT8050 Touchscreen HMI Panel)

MS811-NEMA-MT8070

(NEMA 4X enclosure with cutout for one
MT8070 Touchscreen HMI Panel)

Hinge Location

HL - Hinge Left, hinge located to left of mounted unit(s)

HT - Hinge Top, hinge located at top of mounted unit(s)

Options:

A = Assembled by KEP, Product will be mounted in enclosure
before shipment.

*SP - Sub-Panel (aluminum)

*DR1 - Single DIN Rail Installed for accessory mounting

SW - Power Disconnect Switch

TB - Terminal Block

PW - Internal Pre-wired by KEP

** SP and DR options in the 4X2 are not recommended to users
since there is typically inadequate space provided for mounting the
accessories in the enclosure. Consider the MS799 when two units are
used.*

Consult factory for other modifications and custom conduit hole
and hub fitting options



Application:

Ideal for use in most petrochemical plants, sewage plants, food processing areas, packing plants, electroplating plants, etc.

Material:

Cover/Base - Ultraguard® Fiberglass reinforced polyester (Color RAL 7035)

Fasteners - 304 series stainless steel

Back panel inserts - Brass

Gasket - Closed cell neoprene

Mounting Feet - 304 series stainless steel

Test Spec:

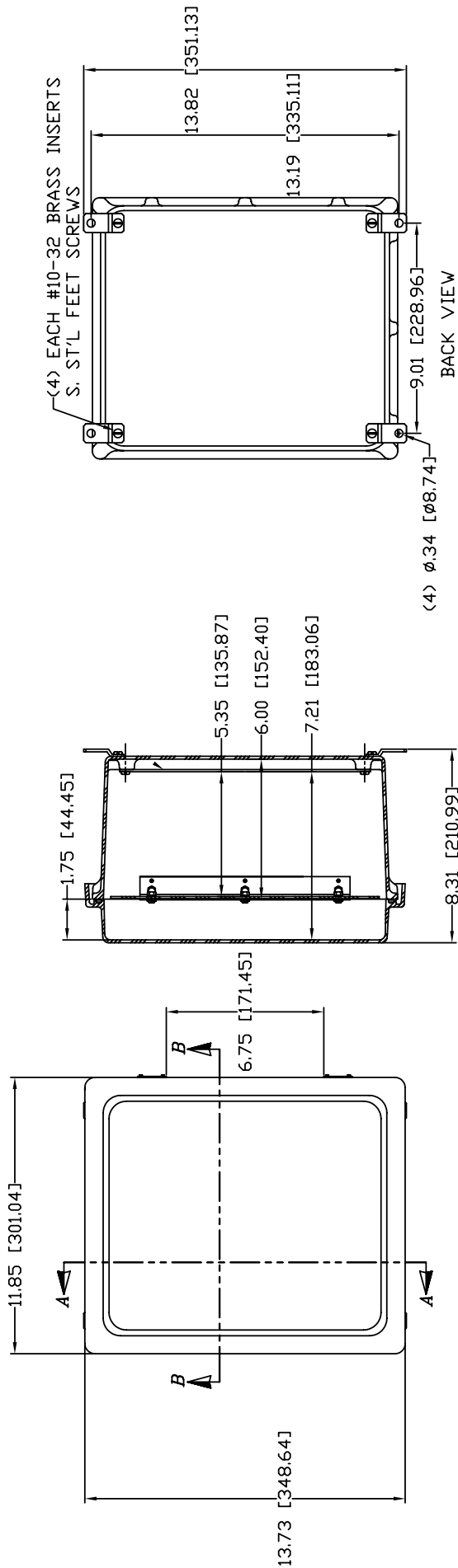
Construction meets NEMA/EEMAC Type 1, 2, 3, 4, 4X, 12 & 13

UL® 508 listed; Type 1, 2, 3, 3R, 4, 4X, 12, and 13

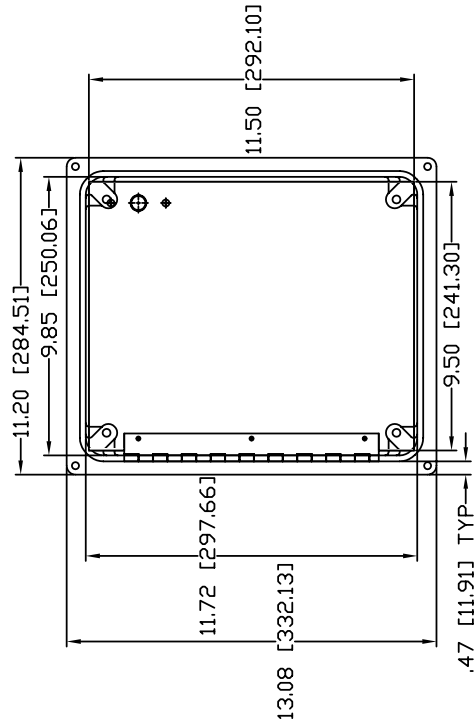
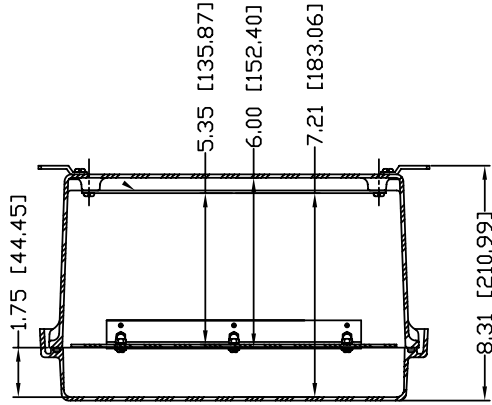
CSA-C22 No. 14; Type 1, 2, 3, 3R, 4, 4X, 12, and 13

IEC60529 Type IP66

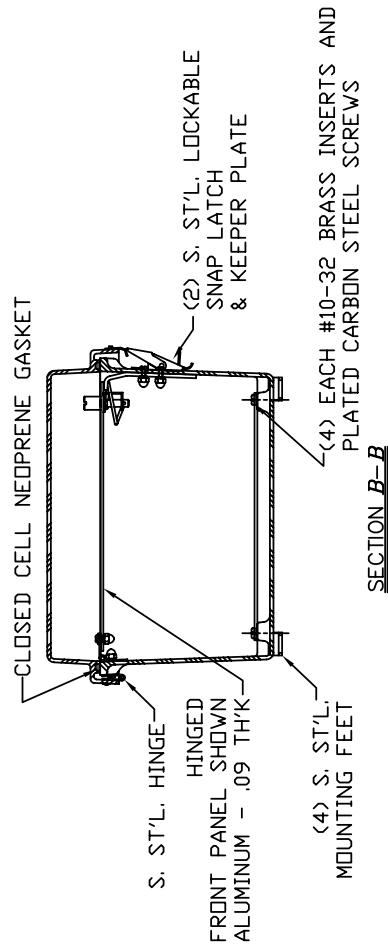
Compliant with RoHS (Restriction of Hazardous Substances)



SECTION A-A



FRONT VIEW WITH LID REMOVED



MATERIAL:
 BOX - COMPRESSION MOLDED FIBERGLASS REINFORCED POLYESTER
 COVER - COMPRESSION MOLDED FIBERGLASS REINFORCED POLYESTER
 WINDOWS - POLYCARBONATE